



SMD COMMON MODE CHOKE

TCM3-211-RC

- Encased Toroidal Choke
- EMI Filter
- Suitable for Pick and Place
- Operating Temperature Range: -20°C to +125°C

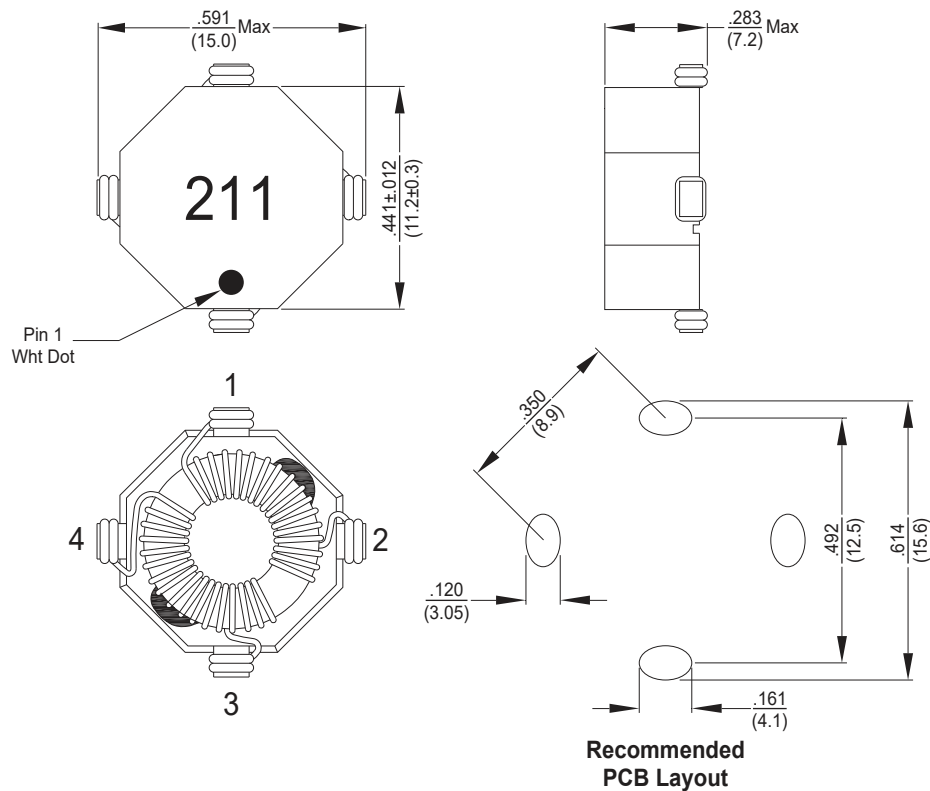


Electrical Specifications @ 25°C					
Inductance @ 100KHz, .02V (1 - 2) = (4 - 3)	LK Inductance @ 100KHz, .02V 1 - 2 (Short 3,4)	Capacitance @ 100KHz, .02V (1 - 4)	DCR (mΩ) Max (1 - 2) = (4 - 3)	Turns Ratio @ 15.75KHz, 1.0V (1 - 2) : (4 - 3)	Hi Pot (VDC) 3mA Max / 3 Sec
217μH Min	1.9μH Max	3.9pF	26	1 : 1 ±3%	500

All specifications subject to change without notice.

MECHANICAL

Dimensions: $\frac{\text{inch}}{\text{mm}}$



SCHEMATIC

