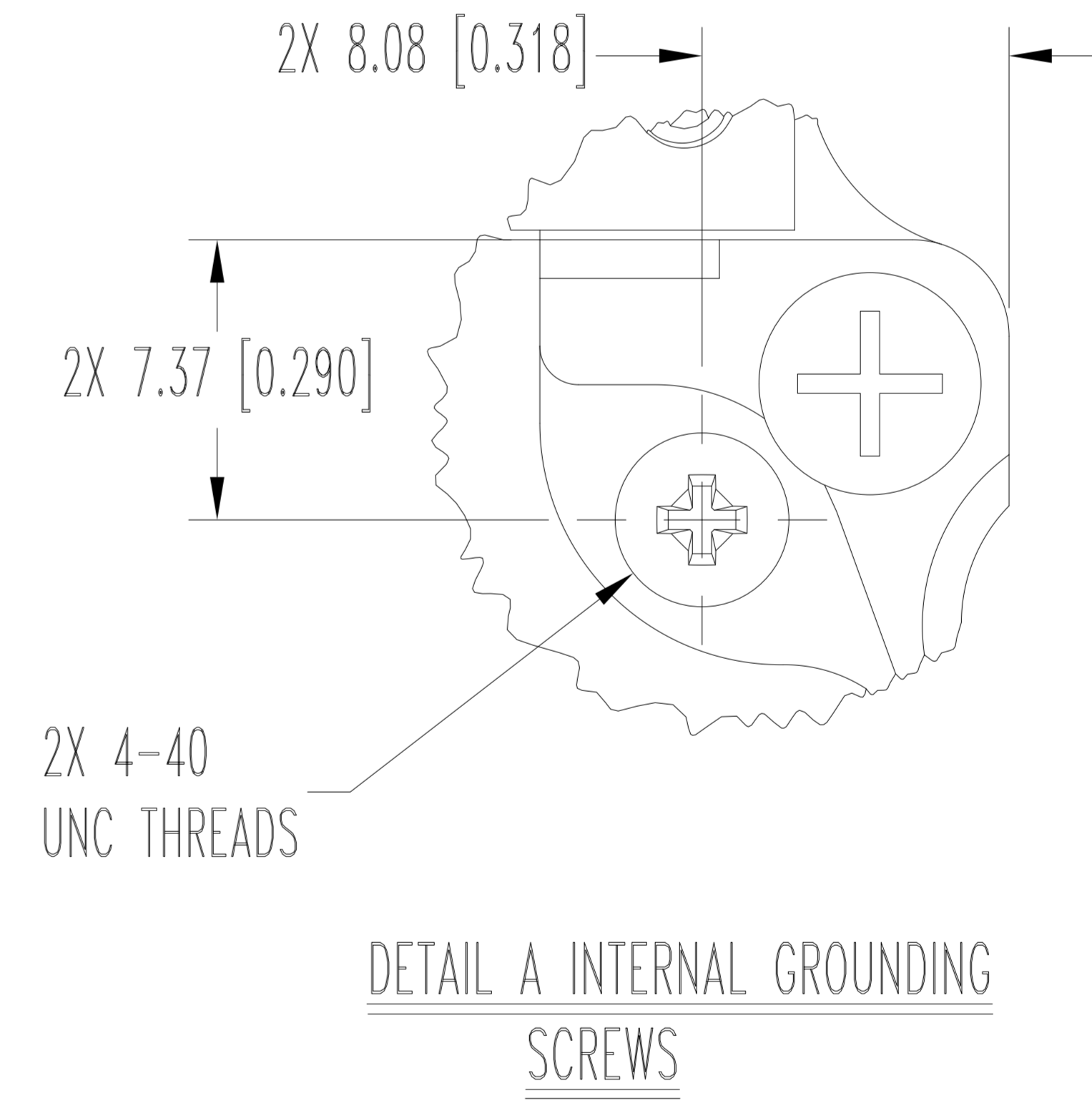
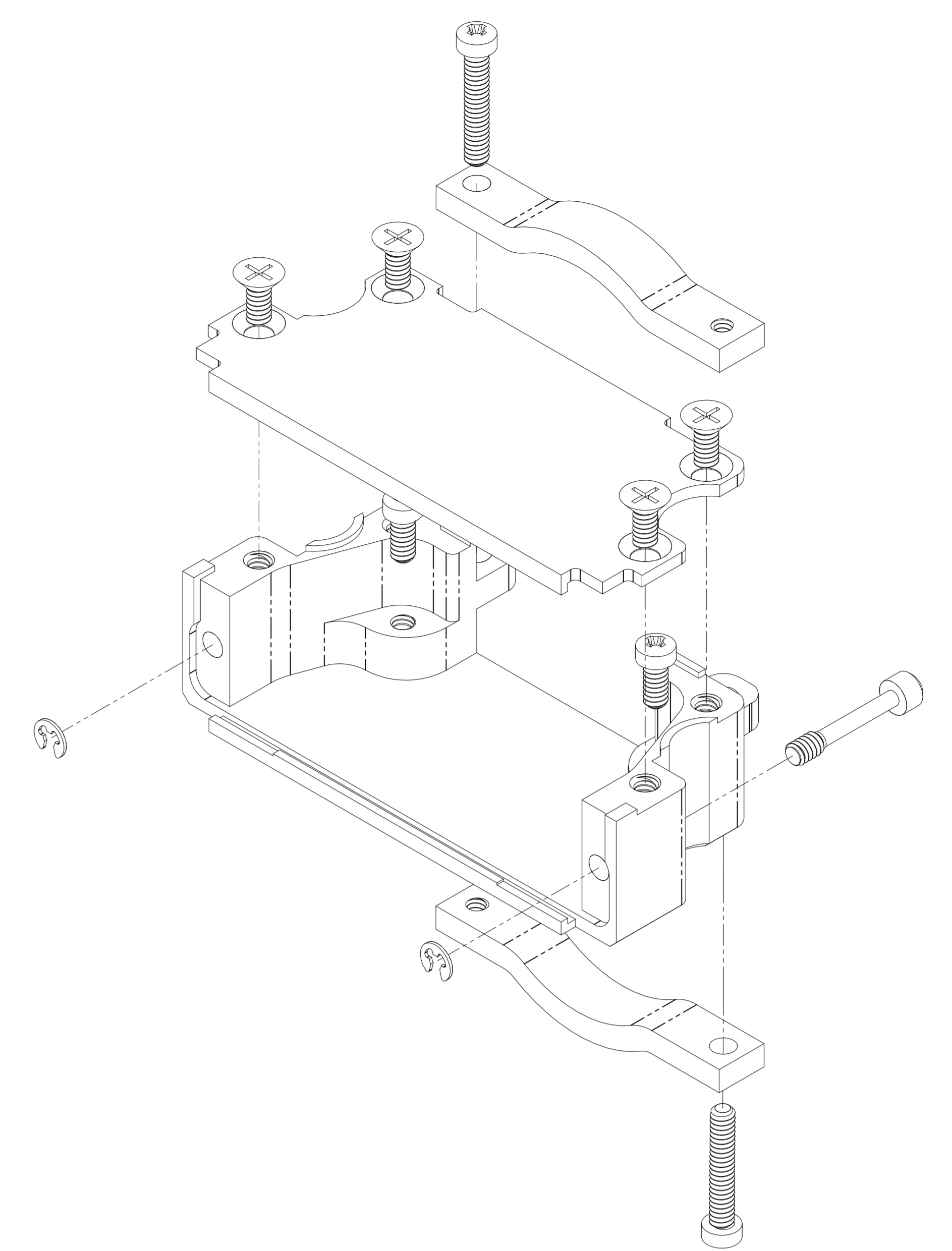
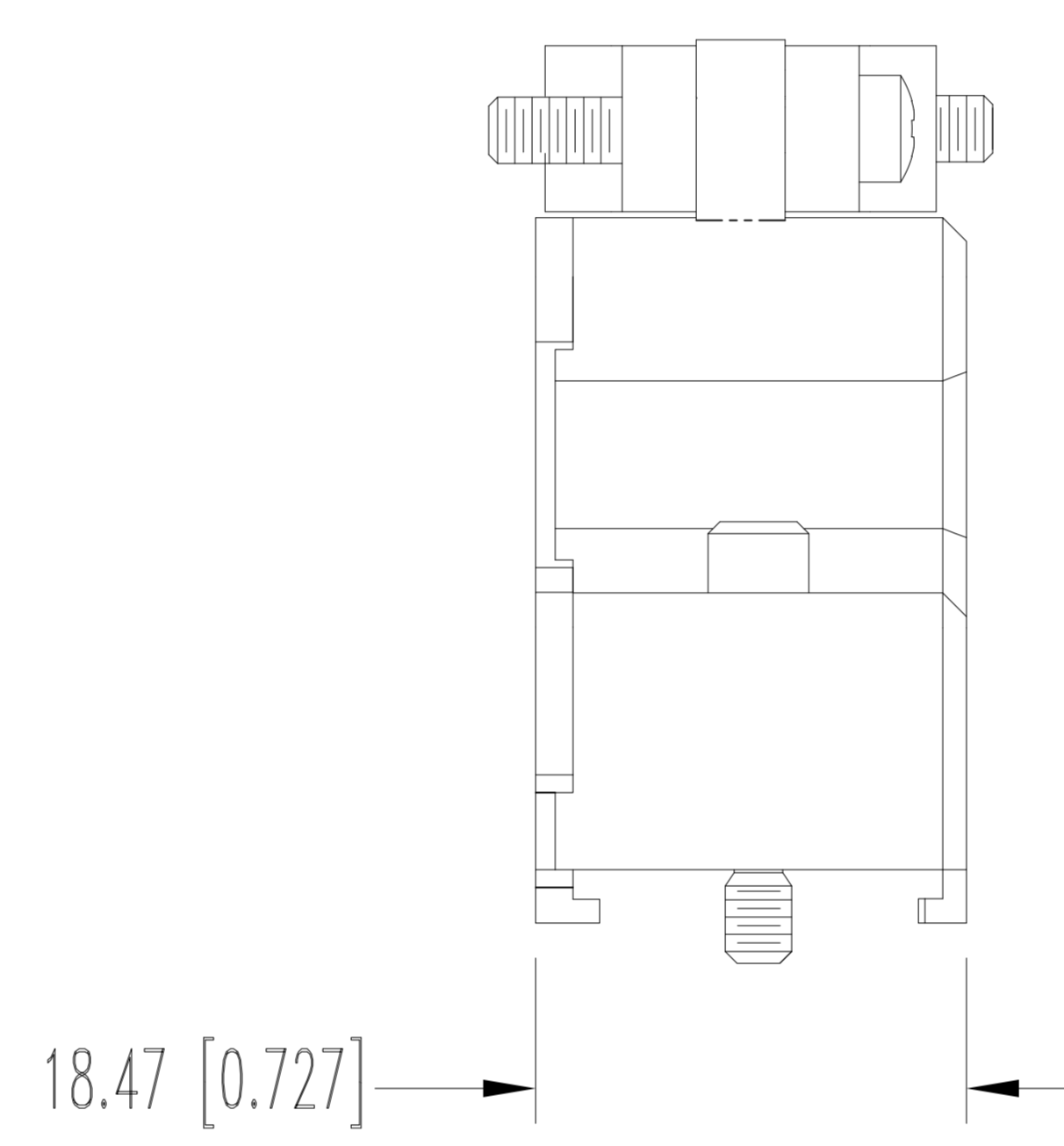
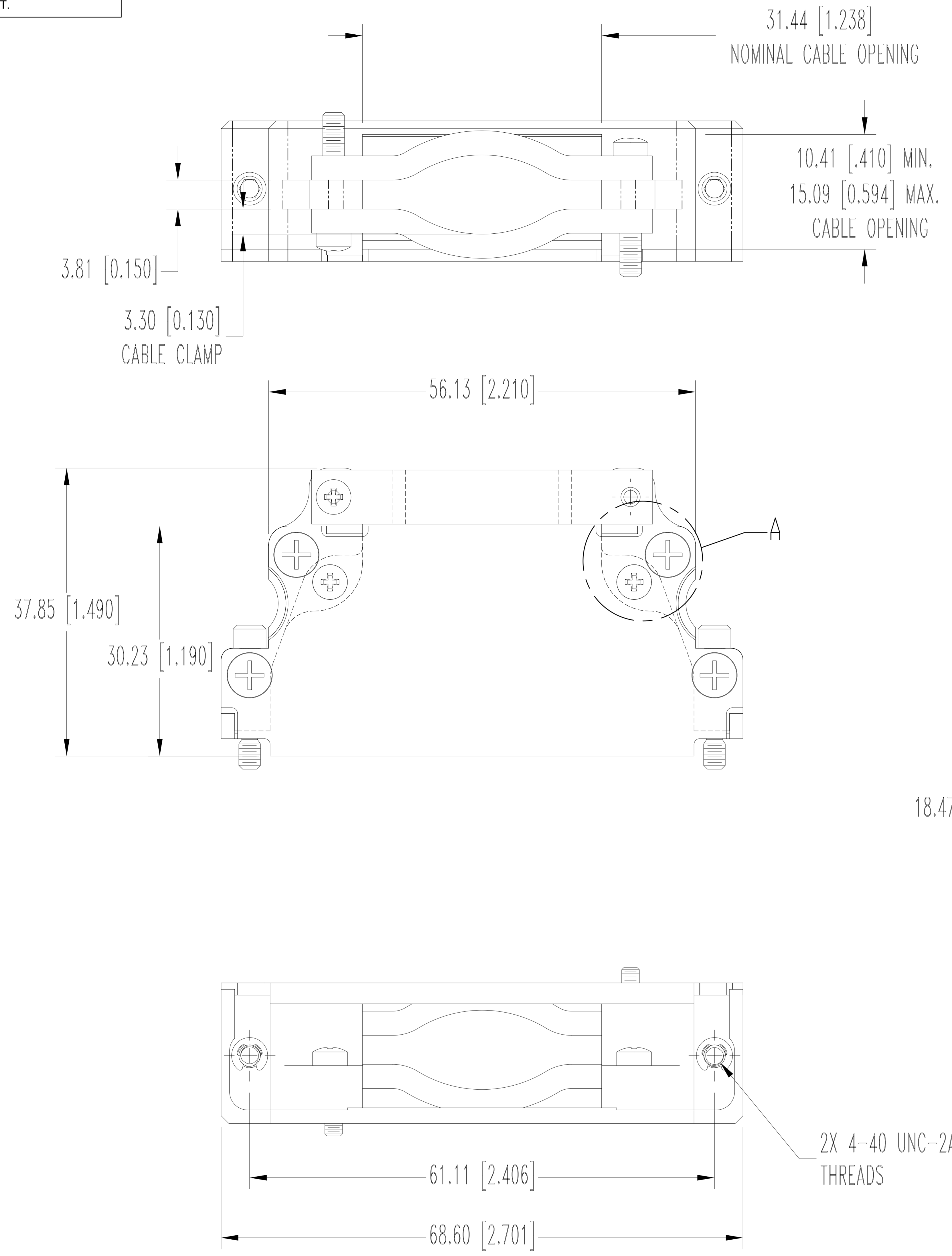


DATE	REV	REVISION RECORD	APP	DR	CK
08-07-20	A	ECO 76393	PA	AP	AB

THIS DRAWING CONTAINS INFORMATION PROPRIETARY TO POSITRONIC AND ITS SUBSIDIARIES. POSITRONIC BELIEVES THE DATA ON THIS DRAWING TO BE RELIABLE, SINCE THE TECHNICAL INFORMATION IS GIVEN FREE OF CHARGE, THE USER EMPLOYS SUCH INFORMATION AT HIS OWN DISCRETION AND RISK. POSITRONIC ASSUMES NO RESPONSIBILITY FOR RESULTS OBTAINED OR DAMAGES INCURRED FROM USE OF SUCH INFORMATION IN WHOLE OR IN PART.



NOTES:

- MATERIALS AND FINISHES:  
HOOD, HOOD COVER AND CABLE CLAMPS: ALUMINUM WITH ELECTROLESS NICKEL PLATE.  
COVER SCREWS, CABLE CLAMP SCREWS AND GROUNDING SCREWS: STEEL WITH NICKEL PLATE.  
JACKSCREWS: STEEL WITH NICKEL PLATE.
- DETAILED PRODUCT, ELECTRICAL AND MECHANICAL INFORMATION IS AVAILABLE IN THE LATEST D-SUB ACCESSORIES PRODUCT PUBLICATION AT CONNECTPOSITRONIC.COM.
- CONNECTORS ARE COMPLIANT TO THE CURRENT RoHS DIRECTIVE.
- DIMENSIONS ARE IN MILLIMETERS [INCHES].

	<b>POSITRONIC INDUSTRIES INC.</b> SPRINGFIELD, MISSOURI 65801	
	D SERIES	SCALE N.T.S.
DECIMAL TOL. ±0.38 [0.015]	DRAWN BY AP APPROVED BY PA	
TITLE D50000ALNE0/AA		
ANGULAR TOL. ±5°	DATE 08-07-20	DRAWING NUMBER D50000ALNE0/AA
		REV. A