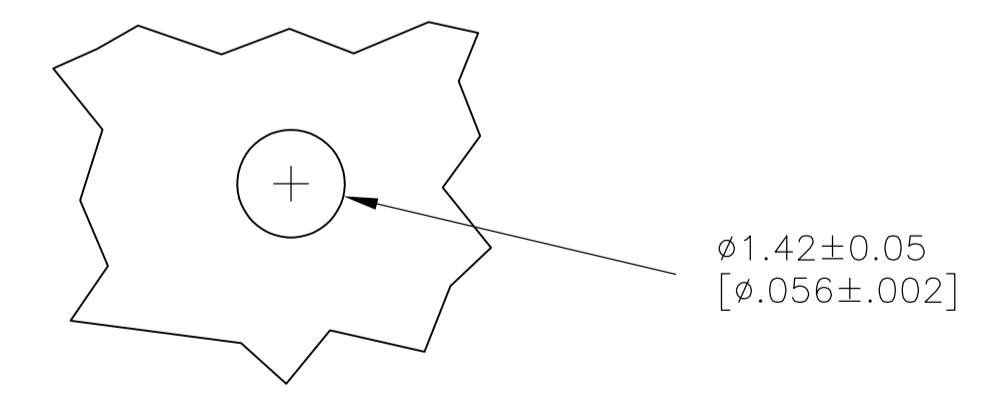
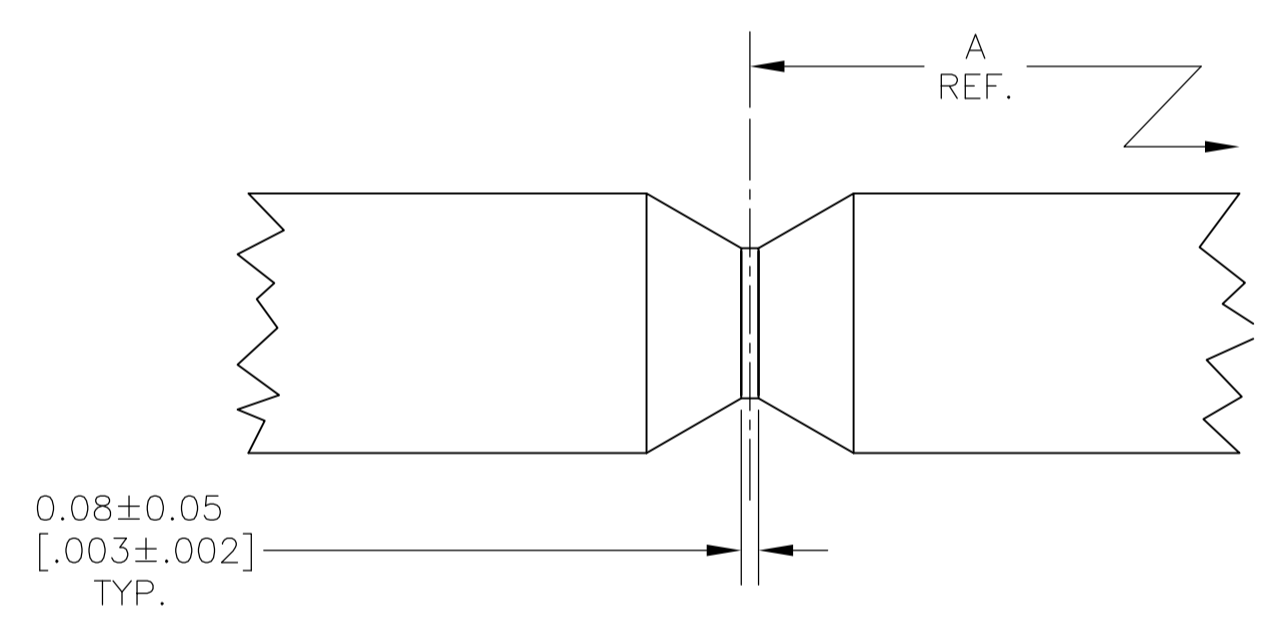
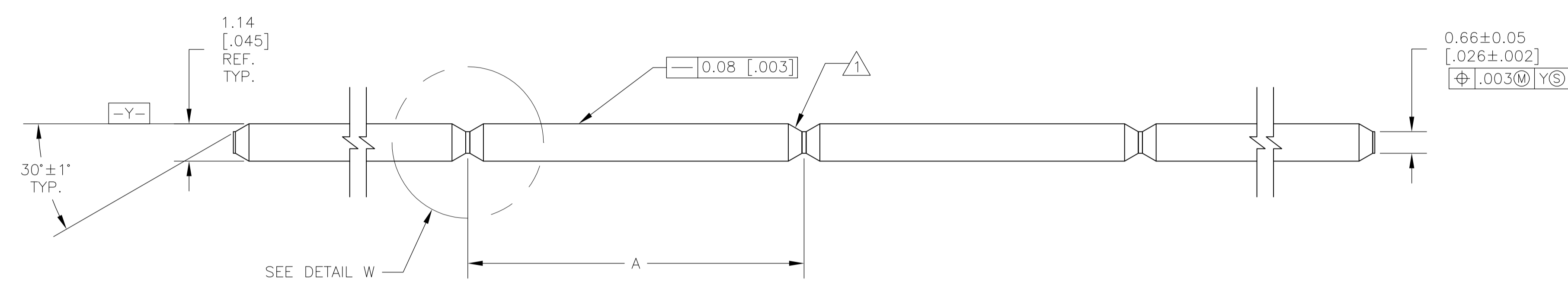


- 1 THE NOTCHED EDGES AND POST TIPS WILL NOT BE PLATED.
- 2 0.00254-0.00508 [.000100-.000200] MATTE TIN OVER
0.00127 [.000050] MIN NICKEL.



OBSOLETE	35.56 [1.400]	6-147070-2
	25.40 [1.000]	6-147070-1
	25.15 [.990]	6-147070-0
	24.89 [.980]	5-147070-9
	24.64 [.970]	5-147070-8
	24.38 [.960]	5-147070-7
	24.13 [.950]	5-147070-6
	23.88 [.940]	5-147070-5
	23.62 [.930]	5-147070-4
	23.37 [.920]	5-147070-3
	23.11 [.910]	5-147070-2
	22.86 [.900]	5-147070-1
	22.61 [.890]	5-147070-0
	22.35 [.880]	4-147070-9
	22.10 [.870]	4-147070-8
	21.84 [.860]	4-147070-7
	21.59 [.850]	4-147070-6
	21.34 [.840]	4-147070-5
	21.08 [.830]	4-147070-4
	20.83 [.820]	4-147070-3
	20.57 [.810]	4-147070-2
	20.32 [.800]	4-147070-1
	20.07 [.790]	4-147070-0
	19.81 [.780]	3-147070-9
	19.56 [.770]	3-147070-8
	19.30 [.760]	3-147070-7
	19.05 [.750]	3-147070-6
	18.80 [.740]	3-147070-5
	18.54 [.730]	3-147070-4
	18.28 [.720]	3-147070-3
	18.03 [.710]	3-147070-2
	17.78 [.700]	3-147070-1
	17.53 [.690]	3-147070-0
	17.27 [.680]	2-147070-9
	17.02 [.670]	2-147070-8
	16.76 [.660]	2-147070-7
	16.51 [.650]	2-147070-6
	16.26 [.640]	2-147070-5
	16.00 [.630]	2-147070-4
	15.75 [.620]	2-147070-3
	15.49 [.610]	2-147070-2
	15.24 [.600]	2-147070-1
	14.99 [.590]	2-147070-0
	14.73 [.580]	1-147070-9
	14.48 [.570]	1-147070-8
	14.22 [.560]	1-147070-7
	13.97 [.550]	1-147070-6
	13.72 [.540]	1-147070-5
	13.46 [.530]	1-147070-4
	13.21 [.520]	1-147070-3
	12.95 [.510]	1-147070-2
	12.70 [.500]	1-147070-1
	12.45 [.490]	1-147070-0
	12.19 [.480]	147070-9
	11.94 [.470]	147070-8
	11.68 [.460]	147070-7
	11.43 [.450]	147070-6
	11.18 [.440]	147070-5
	10.92 [.430]	147070-4
	10.67 [.420]	147070-3
	10.41 [.410]	147070-2
	10.16 [.400]	147070-1
	A	PART NO.

THIS DRAWING IS A CONTROLLED DOCUMENT.		DIN B HAYMAKER 23JUN00		Tyco Electronics Corporation	
DIMENSIONS: INCHES		CHK M CHIANG 4SEP98		Harrisburg, Pa 17105-3608	
TOLERANCES UNLESS OTHERWISE SPECIFIED:		APVD M CHIANG 4SEP98		NAME .045 SQUARE CONTINUOUS POST, TIN	
0 PLC ± -		APPLICATION SPEC 114-13011		SIZE CAGE CODE DRAWING NO	
1 PLC ± -		WEIGHT -		A1 00779 C=147070	
2 PLC ± -		CUSTOMER DRAWING		SCALE 10:1 SHEET 1 OF 1 REV J	
3 PLC ± 0.1X(.005)					
4 PLC ± -					
ANGLES ± -					
MATERIAL BRASS					
FINISH 2					