

2834085-1 ✓ ACTIVE

Buchanan WireMate

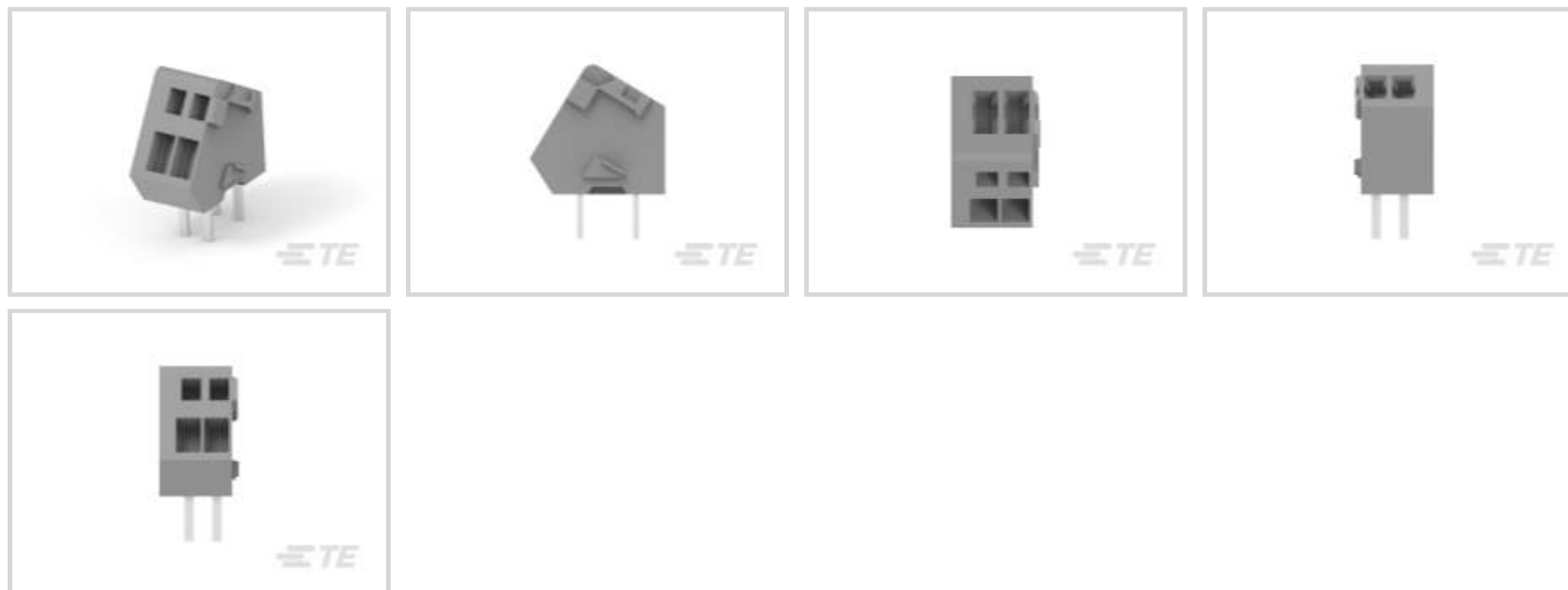
TE Internal #: 2834085-1

PCB Terminal Blocks, Receptacle, Wire-to-Board, 2 Position, 1 Row,
45° Wire Entry Angle, 28 – 20 AWG Wire Size, Operating Voltage
300 VAC

[View on TE.com >](#)



Connectors > Terminal Blocks & Strips > PCB Terminal Blocks



Terminal Block Connector Type: **Receptacle**

Connector System: **Wire-to-Board**

Number of Positions: **2**

Number of Rows: **1**

Wire Entry Angle: **45°**

Features

Product Type Features

Terminal Block Connector Type	Receptacle
Connector System	Wire-to-Board
Connector & Contact Terminates To	Printed Circuit Board

Configuration Features

Wire Entry Location	Side
Number of Positions	2
Number of Rows	1
Wire Entry Angle	45°

Electrical Characteristics

Operating Voltage	300 VAC
-------------------	---------

Body Features

Primary Product Color	Gray
Product Orientation	Vertical



Contact Features

Contact Mating Area Plating Material	Tin
Contact Base Material	Copper
Contact Current Rating (Max)	4 A

Termination Features

Termination Method to Printed Circuit Board	Through Hole - Solder
Termination Method to Wire & Cable	Push-in

Housing Features

Housing Material	High Temperature Nylon or Polyester
------------------	-------------------------------------

Dimensions

Wire Size	28 – 20 AWG
-----------	-------------

Usage Conditions

Operating Temperature Range	-40 – 105 °C[-40 – 221 °F]
-----------------------------	----------------------------

Operation/Application

Circuit Application	Power & Signal
---------------------	----------------

Packaging Features

Packaging Method	Box & Carton
------------------	--------------

Product Compliance

[For compliance documentation, visit the product page on TE.com>](#)

EU RoHS Directive 2011/65/EU	Compliant
EU ELV Directive 2000/53/EC	Compliant
China RoHS 2 Directive MIIT Order No 32, 2016	No Restricted Materials Above Threshold
EU REACH Regulation (EC) No. 1907/2006	Current ECHA Candidate List: JUNE 2023 (235) Candidate List Declared Against: JAN 2022 (223) Does not contain REACH SVHC
Halogen Content	Low Halogen - Br, Cl, F, I < 900 ppm per homogenous material. Also BFR/CFR/PVC Free
Solder Process Capability	Wave solder capable to 260°C

Product Compliance Disclaimer



This information is provided based on reasonable inquiry of our suppliers and represents our current actual knowledge based on the information they provided. This information is subject to change. The part numbers that TE has identified as EU RoHS compliant have a maximum concentration of 0.1% by weight in homogenous materials for lead, hexavalent chromium, mercury, PBB, PBDE, DBP, BBP, DEHP, DIBP, and 0.01% for cadmium, or qualify for an exemption to these limits as defined in the Annexes of Directive 2011/65/EU (RoHS2). Finished electrical and electronic equipment products will be CE marked as required by Directive 2011/65/EU. Components may not be CE marked. Additionally, the part numbers that TE has identified as EU ELV compliant have a maximum concentration of 0.1% by weight in homogenous materials for lead, hexavalent chromium, and mercury, and 0.01% for cadmium, or qualify for an exemption to these limits as defined in the Annexes of Directive 2000/53/EC (ELV). Regarding the REACH Regulation, the information TE provides on SVHC in articles for this part number is based on the latest European Chemicals Agency (ECHA) 'Guidance on requirements for substances in articles' posted at this URL: <https://echa.europa.eu/guidance-documents/guidance-on-reach>

Compatible Parts



TE Part # CAT-B8519-P7565
Poke-In Connector, BUCHANAN WireMate



TE Part # CAT-SL36-M6642B
Miniature Headers, SlimSeal



TE Part # 2834334-2
4.0PITCH ITB CONN_2P_W CAP_NATURAL

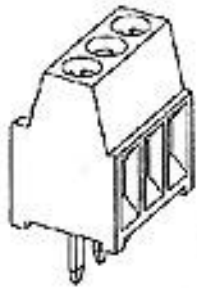


TE Part # 2834167-3
RELEASABLE SLIM CONTACT



TE Part # 2834385-2
RELEASE POKE-IN CONNECTOR_2P_NATURAL

Customers Also Bought



TE Part #1546215-2
TERMI-BLOK PCB MOUNT, 90 2P.



TE Part #4-1625868-4
RP 2A 0.25W 15R 0.1% 25PPM 1K RL



TE Part #5-2301994-5
RJ45 JACK INT.MAG. 1GB 1X1 INV.



TE Part #1-6609032-0
5VR3=F7203 S0



Documents

Product Drawings

[2.54MM TOP ENTRY MSC 2P_GY](#)

English

CAD Files

[3D PDF](#)

3D

Customer View Model

[ENG_CVM_CVM_2834085-1_A.2d_dxf.zip](#)

English

Customer View Model

[ENG_CVM_CVM_2834085-1_A.3d_igs.zip](#)

English

Customer View Model

[ENG_CVM_CVM_2834085-1_A.3d_stp.zip](#)

English

By downloading the CAD file I accept and agree to the [Terms and Conditions](#) of use.

Datasheets & Catalog Pages

[Modular Screwless Terminal Blocks Flyer \(Chinese\)](#)

[BUCHANAN WireMate Connectors Brochure](#)

[BUCHANAN WireMate Connectors Brochure](#)

English

[Modular Screwless Terminal Blocks Flyer](#)

English

Product Specifications

[Application Specification](#)

English