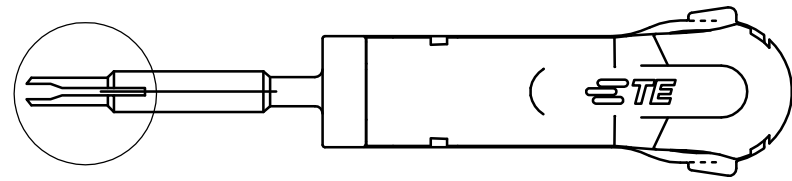


THIS DRAWING IS UNPUBLISHED.

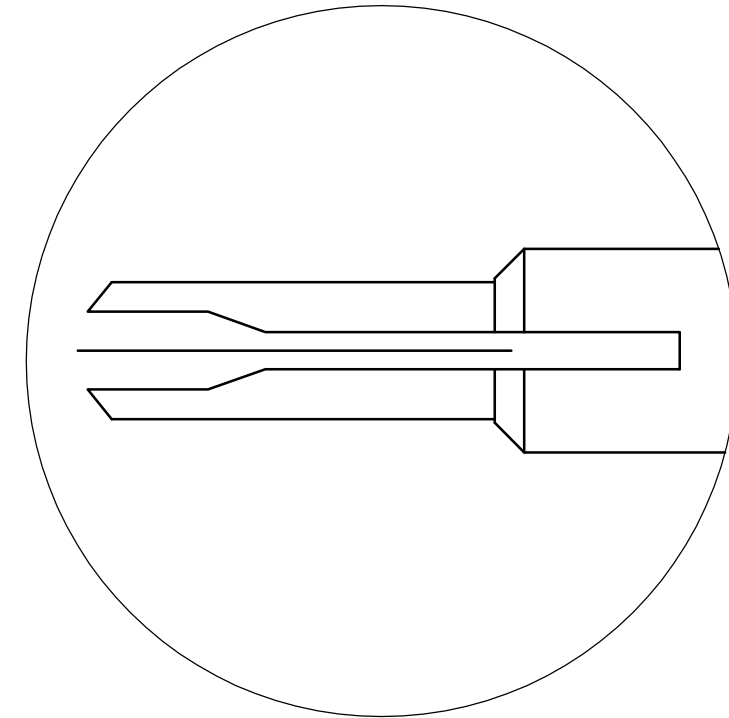
RELEASED FOR PUBLICATION

© COPYRIGHT - BY TYCO ELECTRONICS CORPORATION. ALL INTERNATIONAL RIGHTS RESERVED.

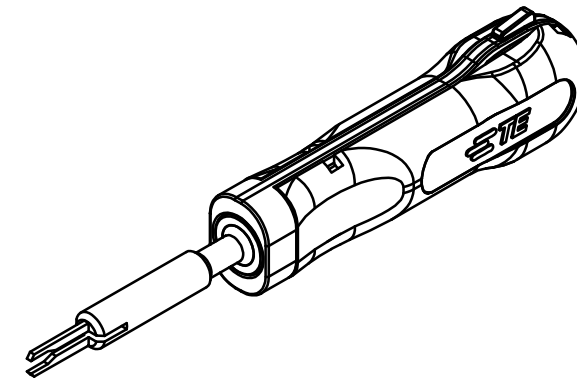
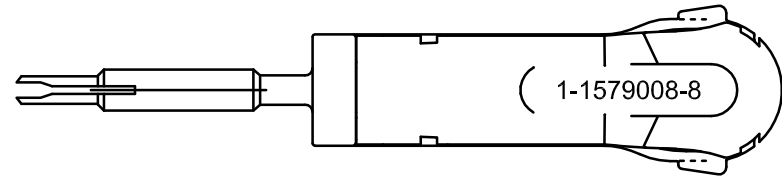
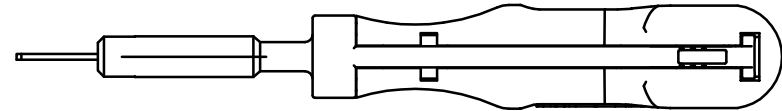
LOC		DIST		REVISIONS			
P	LTR	DESCRIPTION		DATE	DWN	APVD	
	B	ECR-17-009131		23JUN17	MG	BM	



A


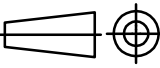


A
5:1



FOR CONTACTS / HOUSINGS:

SICMA receptacle with 2 plastic locking latches

THIS DRAWING IS A CONTROLLED DOCUMENT.		DWN m.pearson	06.11.2006	 TE Connectivity	
DIMENSIONS: mm		CHK -	APVD -		
		TOLERANCES UNLESS OTHERWISE SPECIFIED:		PRODUCT SPEC -	
MATERIAL		FINISH		APPLICATION SPEC -	
				SIZE A3	CAGE CODE 00779
				DRAWING NO 1-1579008-8	
				RESTRICTED TO -	
				WEIGHT 0.019 kg	
				SCALE 1:1	
				SHEET 1 OF 1	
				REV B	
CUSTOMER DRAWING					