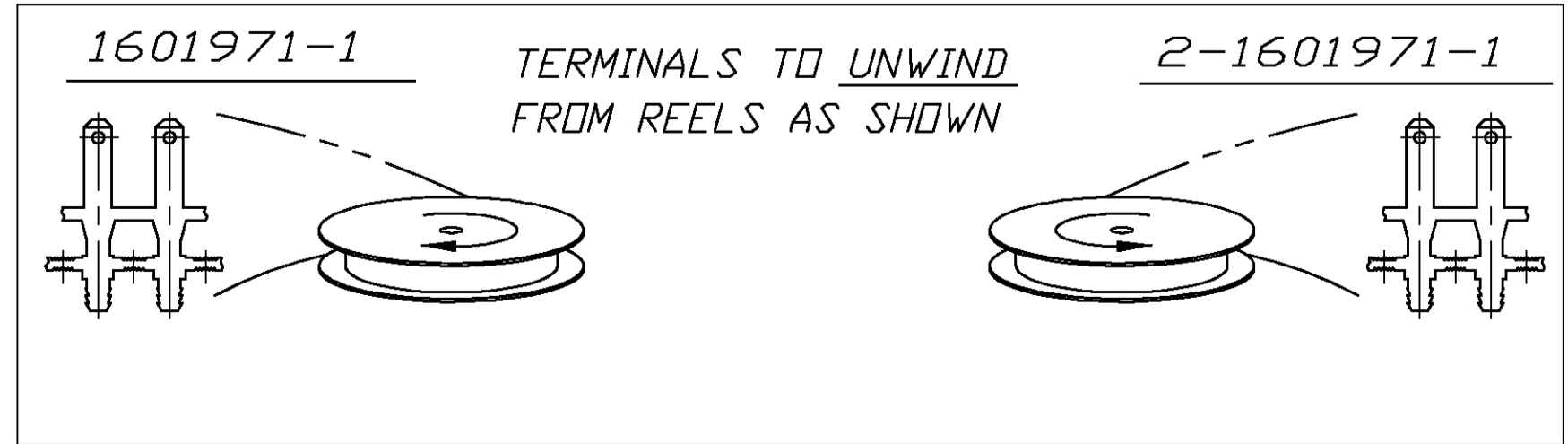
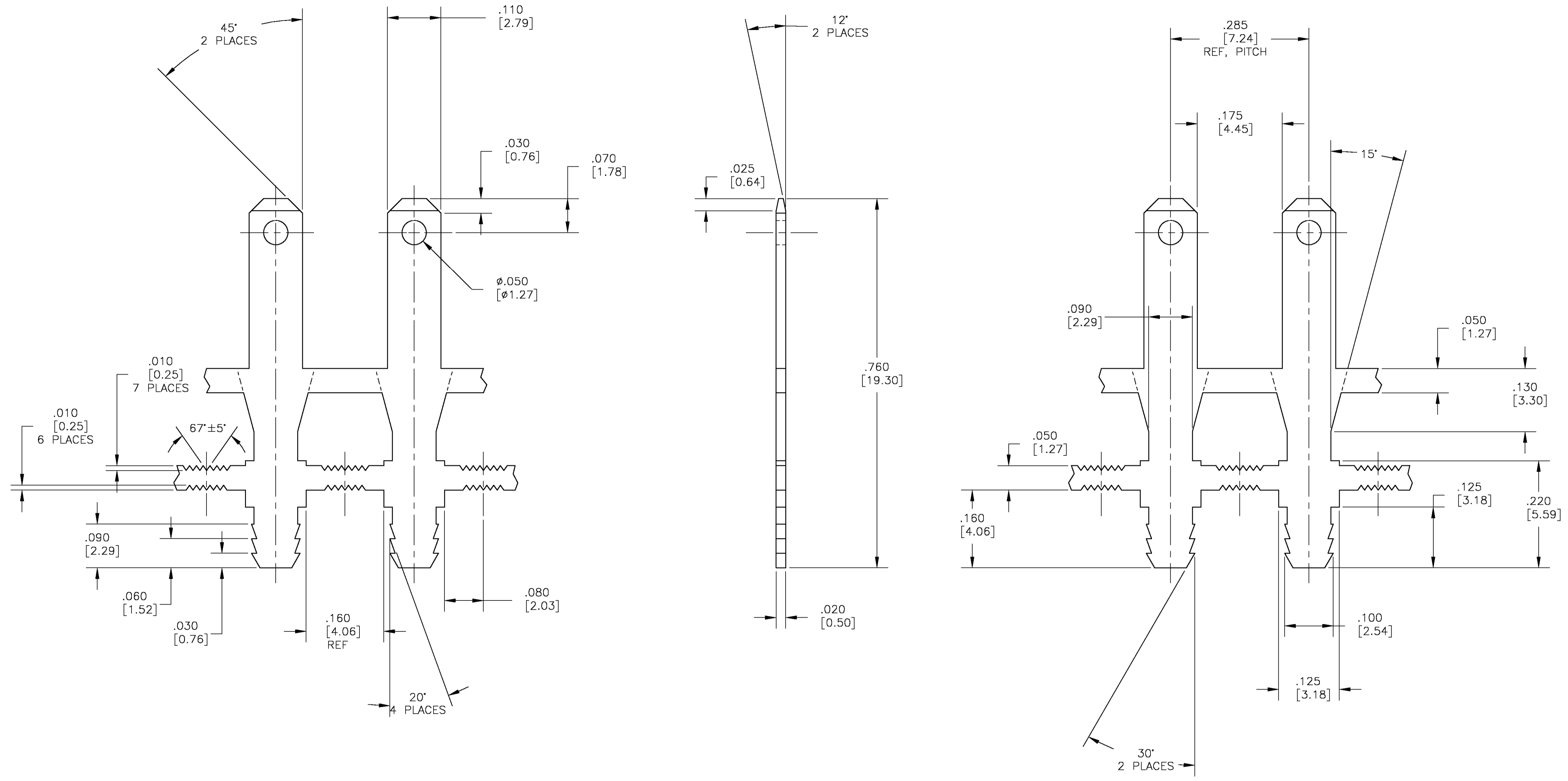


- 1 H04 BRASS, CDA 260.
- 2 .000200 [.00508] MIN TIN PLATE.
(REF ASTM B545 - SERVICE CLASS B).
- 3 ALL INSIDE AND OUTSIDE CORNERS,
.004 R ALLOWABLE.



THIS DRAWING IS A CONTROLLED DOCUMENT.		DWN M.S. FEHER 31OCT2002	Tyco Electronics Corporation Harrisburg, PA 17105-3608
DIMENSIONS: INCHES		CHK K.A. RANDOLPH 31OCT2002	
TOLERANCES UNLESS OTHERWISE SPECIFIED:		APVD K.A. RANDOLPH 31OCT2002	NAME TERMINAL, BOBBIN TAB, .110 FASTON
0 PLG ± -	1 PLG ± -	APPLICATION SPEC	SIZE A1
2 PLG ± .015(0.25)	3 PLG ± .005(0.13)	WEIGHT	CAGE CODE 00779
4 PLG ± -	ANGLES ± ±	CUSTOMER DRAWING	DRAWING NO 1601971
MATERIAL - 1	FINISH - 2	SCALE 8:1	RESTRICTED TO -
		SHEET 1 OF 1	REV B