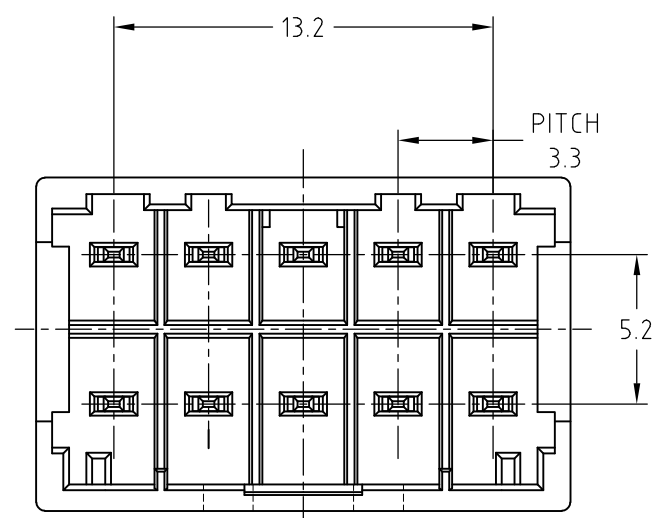


THIS DRAWING IS UNPUBLISHED. RELEASED FOR PUBLICATION  
 © COPYRIGHT BY TYCO ELECTRONICS CORPORATION. ALL RIGHTS RESERVED.

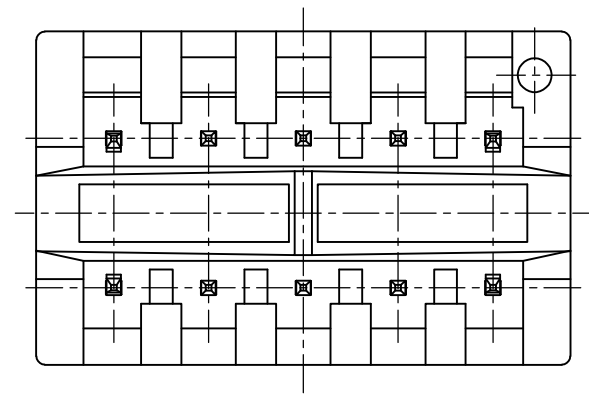
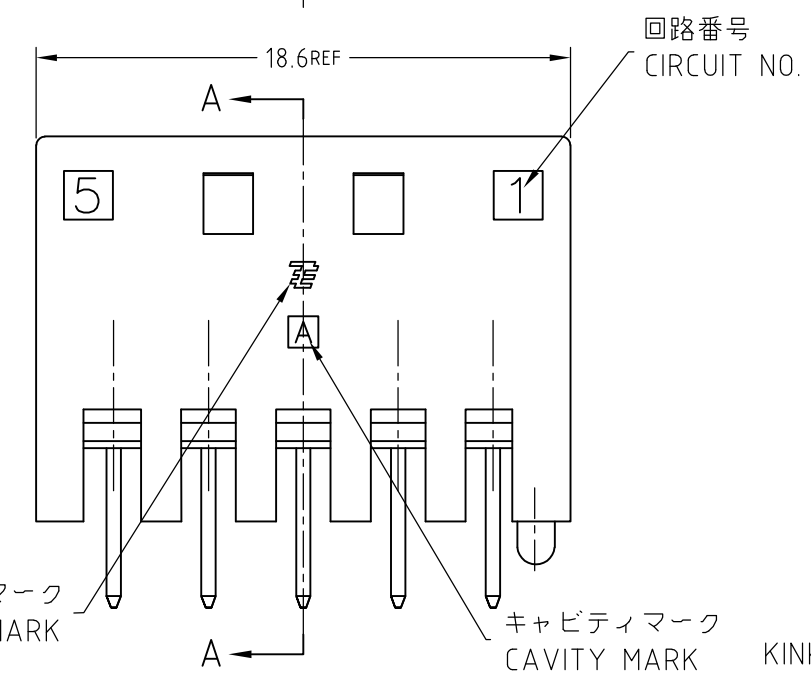
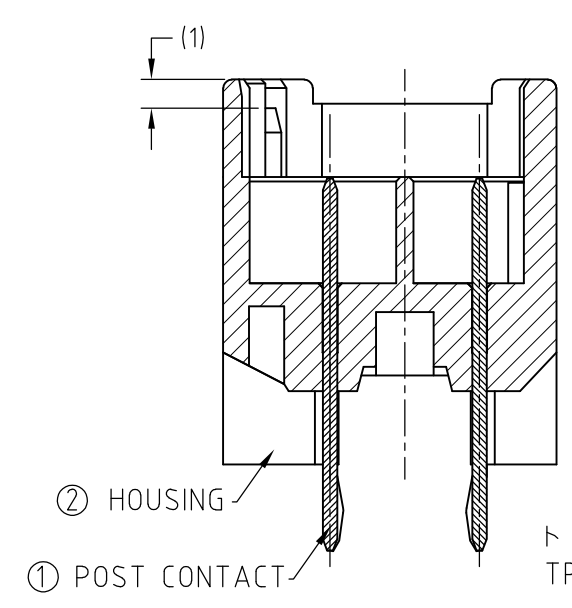
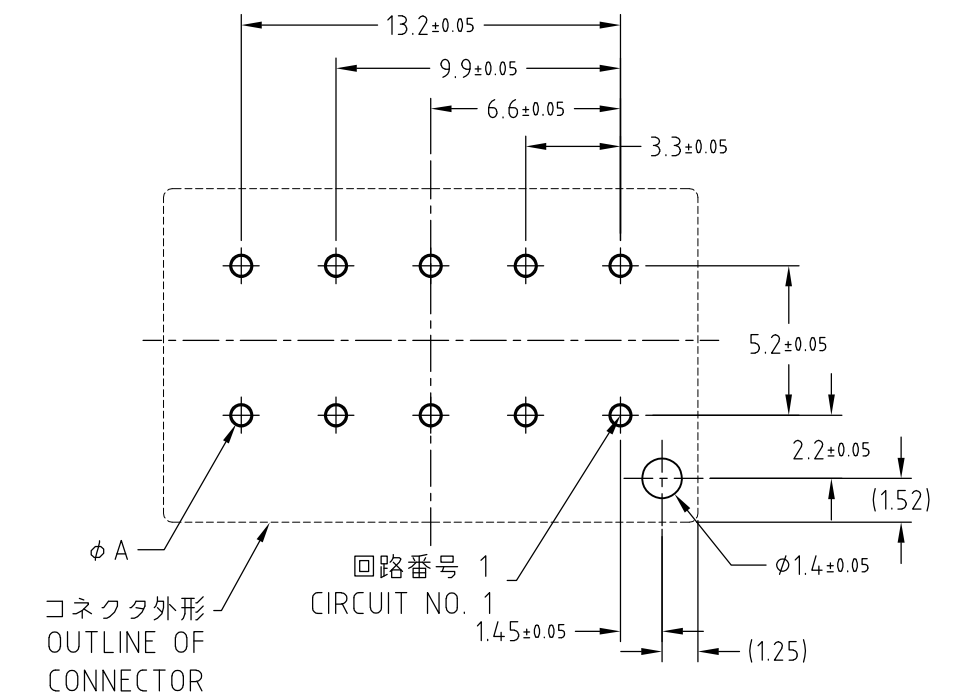
LOC	DIST	REVISIONS					
J	—	P	LTR	DESCRIPTION	DATE	DWN	APVD
			B1	REVISED PER ECR-10-019980	04OCT10	HMR	TM



TABLE

②	ヘッダーハウジング HDR HOUSING	6/6ナイロンガラス強化UL94V-0 6/6NYLON GRASS FILLED UL94V-0
①	ポストコンタクト POST CONTACT	錫めっき仕上げ 黄銅 BRASS TIN PLATED
NO.	名前 (NAME)	材料 (MATERIAL)

P.C.B. LAYOUT ON RECOMMENDATION



パンチ加工 (PUNCHED HOLE)	0.7 <sup>+0.1</sup>
ドリル加工 (DRILLED HOLE)	0.8 ±0.05
	A 寸法 DIM. A

2-1939984-3	TYPE C	青色 BLUE	2-1939983-3
1939984-1	TYPE A	自然色 NATURAL	1939983-1
かん合相手型番 MATING CONN. P/N	キーイング形状 TYPE OF KEYING	色調 COLOR	型番 PART NUMBER

- 注
- ① 取付穴寸法
  - 2. 適応基板厚 : 1.6t
  - ③ かん合相手型番 : プラグハウジング : SEE TABLE

- NOTES
- ① RECOMMENDED P.C.B LAYOUT
  - 2. APPLICABLE P.C.B THICKNESS : 1.6t
  - ③ MATING CONN. P/N PLUG HOUSING : SEE TABLE

THIS DRAWING IS A CONTROLLED DOCUMENT.

DIMENSIONS: 単位: 耗 mm	TOLERANCES UNLESS OTHERWISE SPECIFIED: 一般公差
	0 PLC ± 0.3
	1 PLC ± 0.3
	2 PLC ± 0.3
	3 PLC ±
	4 PLC ±
	ANGLES ±
MATERIAL 材料	FINISH 仕上
SEE TABLE	

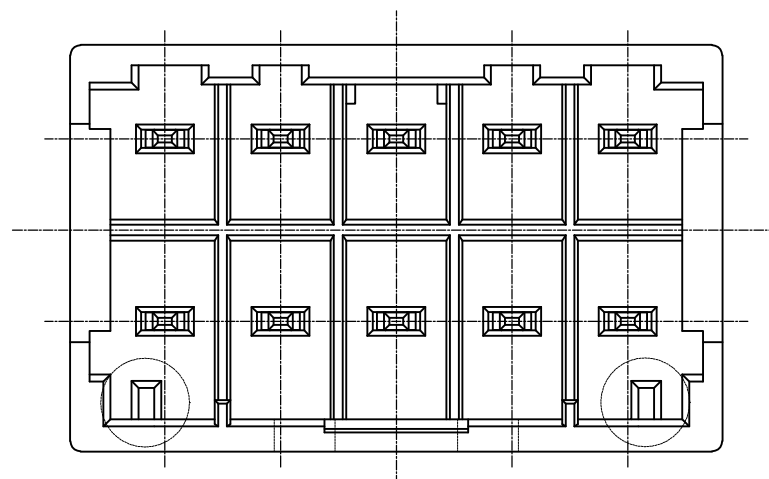
DWN J.SATO 13OCT2006	Tyco Electronics AMP K.K. Kawasaki, Japan		
CHK N.YAMASAKI 13OCT2006	NAME 名称		
APVD N.YAMASAKI 13OCT2006	GRACE INERTIA CONNECTOR 3.3 HEADER ASSEMBLY 10POS 2ROW		
PRODUCT SPEC 製品規格 108-78231	SIZE A3	CAGE CODE 00779	DRAWING NO 番号 1939983
APPLICATION SPEC 取付適用規格 114-5372	RESTRICTED TO		
WEIGHT	CUSTOMER DRAWING		SCALE 尺度 NONE SHEET 1 OF 2 REV B1

キック形状 KINK FORM	A	S	S	S	A	B	S	S	S	B
回路番号 CIRCUIT NO.	1	2	3	4	5	6	7	8	9	10

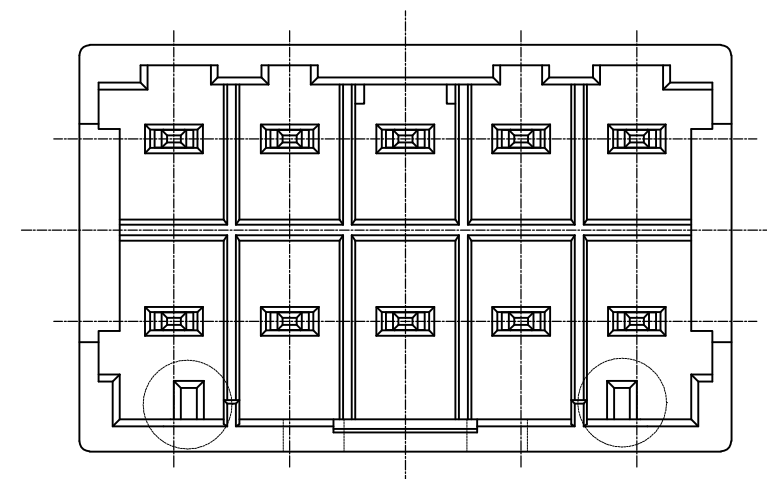
THIS DRAWING IS UNPUBLISHED. RELEASED FOR PUBLICATION  
 © COPYRIGHT BY TYCO ELECTRONICS CORPORATION. ALL RIGHTS RESERVED.

LOC	DIST	REVISIONS 変更			
P	LTR	DESCRIPTION	DATE	DWN	APVD
J	—	—	—	—	—
		SEE SHEET 1	—	—	—

キーイングタイプ  
TYPE OF KEYING



TYPE A



TYPE C

THIS DRAWING IS A CONTROLLED DOCUMENT.		DWN	Tyco Electronics AMP K.K. Kawasaki, Japan		
DIMENSIONS: 単位: 寸 mm		CHK	NAME 名称		
TOLERANCES UNLESS OTHERWISE SPECIFIED: 一般公差		APVD	GRACE INERTIA CONNECTOR 3.3 HEADER ASSEMBLY 10POS 2ROW		
0 PLC ±0.3 1 PLC ±0.3 2 PLC ±0.3 3 PLC ± 4 PLC ± ANGLES ±		PRODUCT SPEC 製品規格	SIZE	CAGE CODE	DRAWING NO 番号
MATERIAL 材料 SEE TABLE		APPLICATION SPEC 取付適用規格	A3	00779	G- 1939983
FINISH 仕上		WEIGHT	RESTRICTED TO		—
CUSTOMER DRAWING			SCALE 尺度	SHEET	REV
			NONE	2 OF 2	B1