



CHARLIE

PENDANT CONTROL STATION



The highly popular **Charlie** pendant control station has 2-3 positions for buttons, selectors, pilot lights or potentiometers. 1 or 2 speed contacts available. The compact design has a modern, ergonomic design for single handed thumb operation of the two main control positions. The third position is commonly used for an emergency stop or a selector switch, it can also be configured with a pilot light or potentiometer.

Features

- Reduced time and costs for installation and wiring: the switches are assembled inside the pendant station without screws, with all the terminals facing the cable inlet and screws in the opposite direction to facilitate wiring.
- A threaded ring is used to secure the enclosure and cover, providing easy access to the internal components without any need for tools or screws.
- Due to the hollow handle the control station can be quickly and easily set down onto a pin.
- The emergency stop mushroom pushbutton complies with standard EN 418.
- Mechanical life of switches: 1 million operations.
- IP protection degree: IP65.
- Extreme temperature resistance: -13°F to 158°F (-25°C to +70°C).
- All materials and components used are wear resistant and guarantee protection of the unit against water and dust.

Options

- Available in configuration with 2 or 3 actuators.
- Single switches with NO or NC contacts and double switches with NO contacts, one or two speeds, with electrical interlock to prevent simultaneous operation of opposite functions.

Certifications


- CE marking and EAC certifications.



Fill-in the "request form" for a custom product configuration

SPECIFICATIONS FOR CHARLIE PENDANT STATION

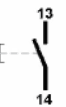

Certifications

Conformity to Community Directives	2014/35/UE Low Voltage Directive
	2006/42/CE Machinery Directive
Conformity to CE Standards	EN 60204-1 Safety of machinery - Electrical equipment of machines
	EN 60947-1 Low-voltage switch-gear and control-gear
	EN 60947-5-1 Low-voltage switch-gear and control-gear Control circuit devices and switching elements Electromechanical control circuit devices
	EN 60529 Degrees of protection provided by enclosures
Markings and Homologations	EN 418 Safety of machinery - Emergency stop equipment, functional
	

General Technical Specifications

Ambient temperature	Storage: -40°F / +158°F (-40°C / +70°C)
	Operational: -13°F / +158°F (-25°C / +70°C)
IP protection degree	IP 65
Insulation category	Class II
Cable entry	Cable clamp M20
	Spiral cable clamp M20
Operating positions	Any position
Weight	~ 11.288 oz. (320g)

Technical Specifications — Switches

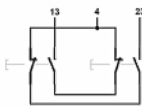
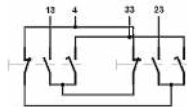

SCC Part No. →	PRSL1000PI	PRSL1001PI
Utilisation category	AC 15	
Rated operational current	3 A	
Rated operational voltage	250 Vac	
Rated thermal current	10 A	
Rated insulation voltage	500 Vac	
Mechanical life	1 x 10 ⁶ operations	
Connections	Screw-type terminals	
Wires	1 x 2.5 mm ² , 2 x 1.5 mm ² (UL - (c)UL: use 140°F (60°C) or 167°F (75°C) copper (CU) conductor and wire 16-18 AWG)	
Tightening torque	0.6 Nm	
Microswitch type	Double break, slow action	Double break, slow action
Contacts	1NO	1 NC
Scheme		

Markings and Homologations




SPECIFICATIONS FOR CHARLIE PENDANT STATION

Technical Specifications — Switches

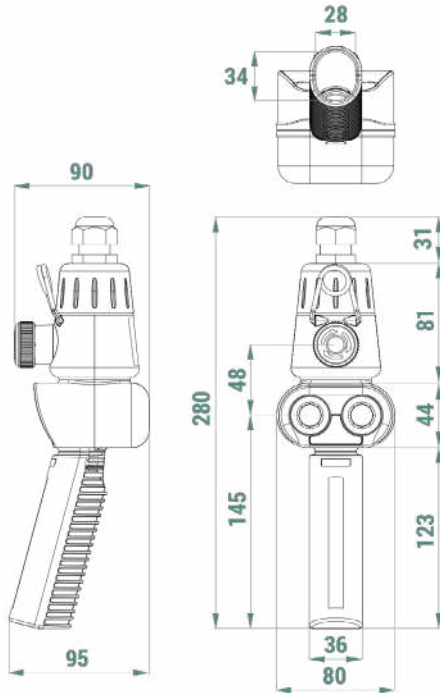
SCC Part No. →	PRSL 1002PI	PRSL1003PI
Utilisation category	AC 15	
Rated operational current	3 A	
Rated operational voltage	250 Vac	
Rated thermal current	10 A	
Rated insulation voltage	500 Vac	
Mechanical life	1 x 10 ⁶ operations	
Connections	Screw-type terminals	
Wires	1 x 2.5 mm ² , 2 x 1.5 mm ² (UL - (c)UL: use 140 °F (60 °C) or 167 °F (75 °C) copper (CU) conductor and wire 16-18 AWG)	
Tightening torque	0.6 Nm	
Microswitch type	Double switch, 1 speed	Double switch, 2 speeds
Contacts	2NO+common	3NO+common
Scheme		
Markings and Homologations		

Technical Specifications — Lamp Holders

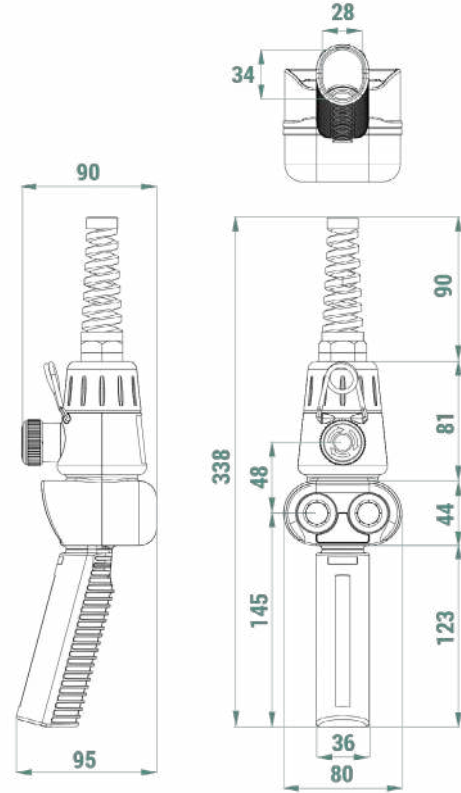
SCC Part No. →	PRSL1004PI
Maximum voltage	125 V
Maximum power	2.6 W
Lamp type	T5.5K 0.866" (22mm)
Connections	Screw-type terminals
Wires	1 x 2.5 mm ² , 2 x 1.5 mm ²
Tightening torque	0.6 Nm
Markings and Homologations	

CHARLIE PENDANT - OVERALL DIMENSIONS (mm)

With cable clamp M20



With spiral cable clamp M20

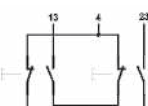
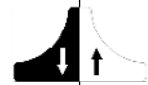


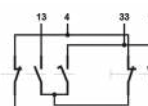

1 mm = 0.03937 inches | 1 inch = 25.4 mm
 Formula: divide the mm length value by 25.4
 multiply the inch length value by 25.4

CHARLIE PENDANT - STANDARD CONTROL STATIONS

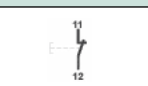
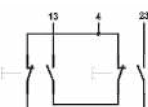

Standard control stations are equipped with cable clamp M20, hook and electrical interlock between opposite function pushbuttons.

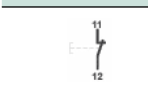
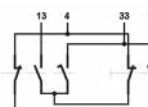

2 Actuators

SCC Part No. → PF39020001		
Switch scheme	Switch type	Actuator type
	PRSL1002PI 2NO+common 1 speed	Pushbutton Pushbutton 

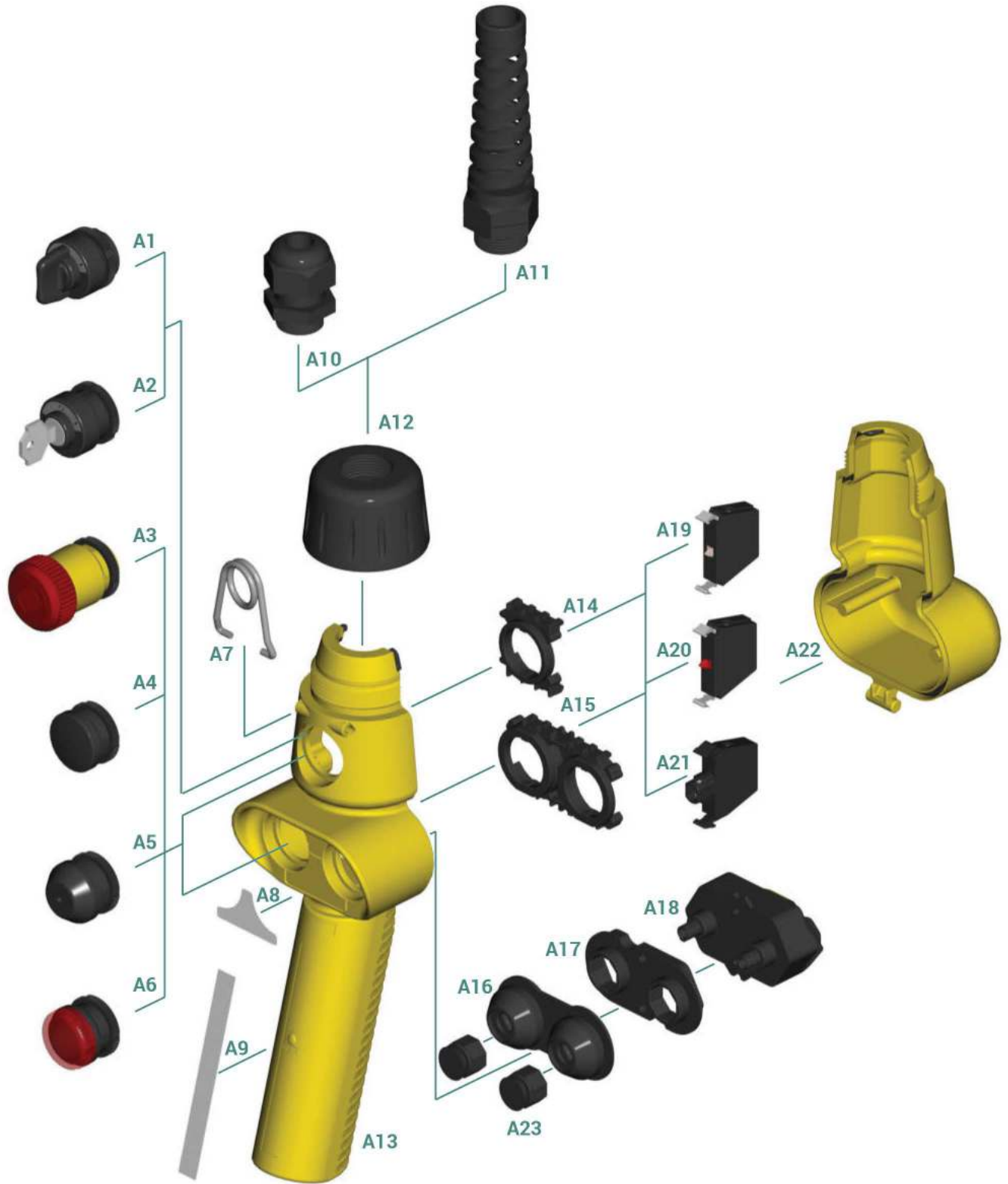
SCC Part No. → PF39020002		
Switch scheme	Switch type	Actuator type
	PRSL1003PI 3NO+common 2 speeds	Pushbutton Pushbutton 

3 Actuators

SCC Part No. → PF39030001		
Switch scheme	Switch type	Actuator type
	PRSL1001PI 1NC	Latched mushroom pushbutton
	PRSL1002PI 2NO+common 1 speed	Pushbutton Pushbutton 

SCC Part No. → PF39030002		
Switch scheme	Switch type	Actuator type
	PRSL1001PI 1NC	Latched mushroom pushbutton
	PRSL1003PI 3NO+common 2 speeds	Pushbutton Pushbutton 

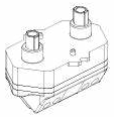
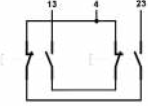
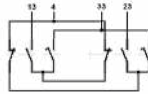




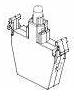
CHARLIE PENDANT - ASSEMBLY DRAWING








Refer to the following tables for descriptions of components: "Switches", "Actuators", "Pilot Lights", "Mushroom Pushbuttons", "Selector Switches" and "Accessories".

CHARLIE PENDANT - ACCESSORY PARTS


Switches

Ref.	Drawing	Description	Scheme	SCC Part No.
A18		1 speed, 2+common double switch		PRSL1002PI
		2 speeds, 3NO+common double switch		PRSL1003PI
A19		1 NO switch		PRSL1000PI
A20		1 NC switch		PRSL1001PI
A21		Lamp holder	-	PRSL1004PI


Actuators

Ref.	Drawing	Description	SCC Part No.
A4		Blanking plug	PRSL1023PI
A5		Single pushbutton	PRTS000001
A16		Rubber for double pushbutton	PRG00020PE
A16+ A23		Double pushbutton with rubber	PRTD000001
A17		Holding plate for double pushbutton	PRSL8737PI



Mushroom Pushbuttons

Ref.	Drawing	Description	SCC Part No.
A3		Latched mushroom pushbutton for emergency stop	PRSL1009PI

Pilot lights












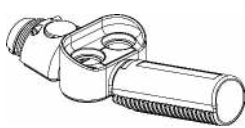


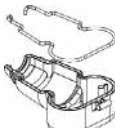
Ref.	Drawing	Description	SCC Part No.
A6		Red	PRSL1012PI
		Yellow	PRSL1013PI
		Green	PRSL1014PI

Selector Switches

Ref.	Drawing	Positions	Spring return	Maintained positions	Pull-out position	SCC Part No.
A1		0/1	X			PRSL1015PI
		0/1		X		PRSL1016PI
		1/0/2	X			PRSL1026PI
		1/0/2		X		PRSL1027PI
A2		0/1		X	0	PRSL1017PI
		0/1	X		0	PRSL1024PI

CHARLIE PENDANT - ACCESSORY PARTS

Accessories

Ref.	Drawing	Description	SCC Part No.
A7		Hook	PRGA0015PE
A8		Label - Standard 1 speed	ET39030001
		Label - Standard 2 speed	ET39030021
		Label	ET39030014
		Label	ET39030069
		Label	ET39030015
	 Green Red	Label	ET39030007
A9		Blank label for handle	PRET0127PE
A10		Cable clamp M20	PRPS0064PE
A11		Spiral cable clamp M20	PRPS0025PE
A12		Closing ring for cable clamp and spiral cable clamp	PRSL5524PI
A13		Cover	PRSL5008PI
A14		Holding plate for 3 switches	PRSL8739PI
A15		Holding plate for 2+2 switches	PRSL8735PI
A22		Enclosure	PRSL5518PI

CHARLIE PENDANT - REQUEST FORM FOR NON STANDARD CONTROL STATION

Control elements

- ① PRTS000001 Single pushbutton
- ② PRTD000001 Double pushbutton
- ③ PRSL1023PI Blanking plug
- ④ PRSL1009PI Emergency stop mushroom pushbutton
- ⑤ PRSL1012PI Red pilot light
- ⑥ PRSL1013PI Yellow pilot light
- ⑦ PRSL1014PI Green pilot light
- ⑧ PRSL1015PI Selector switch 0/1 spring return
- ⑨ PRSL1016PI Selector switch 0/1 maintained positions
- ⑩ PRSL1026PI Selector switch 1/0/2 spring return
- ⑪ PRSL1027PI Selector switch 1/0/2 maintained positions
- ⑫ PRSL1017PI Key selector switch 0/1 maintained positions
- ⑬ PRSL1024PI Key selector switch 0/1 spring return

Label symbols

GREEN 20	27	34
GREEN 21	28	35
YELLOW 22	29	36
RED 23	30	37
24	31	38
25	32	BLACK
26	33	

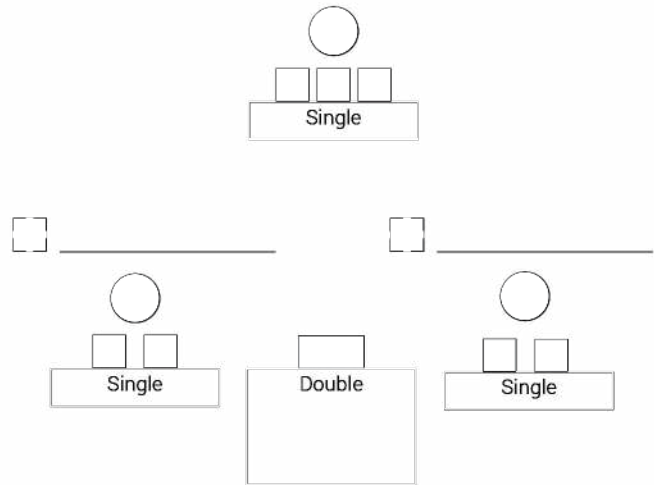
Single switches

- A PRSL1000PI 1NO
- B PRSL1001PI 1NC
- C PRSL1004PI Lamp holder

Double switches

- D PRSL1002PI 1 speed
- E PRSL1003PI 2 speeds

- Cable clamp M20
- Spiral cable clamp M20



Instructions

- Fill in the chart according to the number of control elements required.
- Enter the number corresponding to the control element required in the circle. Selector switches can be mounted only in the central position.
- In the broken-line box enter the number corresponding to the symbol required on the label. Next to the number mark the direction of the arrow and the customized lettering, if requested.
- In the unbroken boxes enter the letters corresponding to the single or double switches required.
- Tick the box if the cable clamp or the spiral cable clamp is required.
- The label on the handle of the control station can be customized on request: please write the text requested under Remarks or e-mail the logo.

Notes:

.....

.....

.....

.....

.....