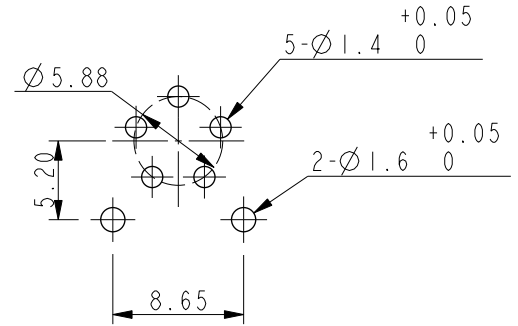
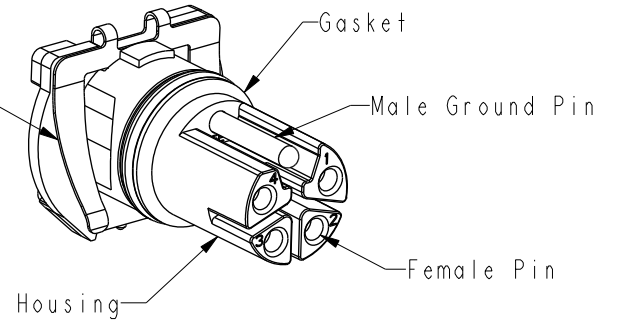
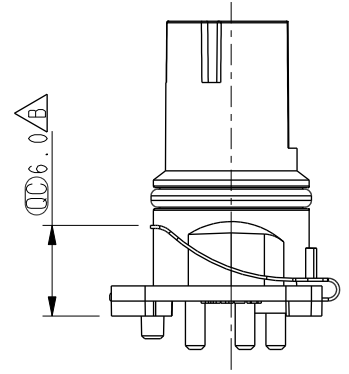
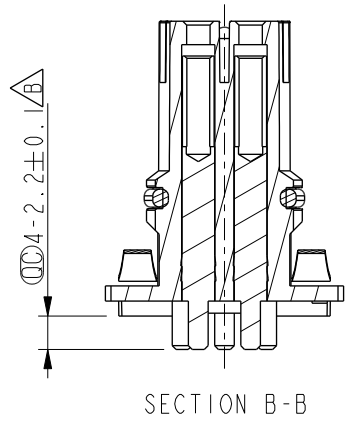
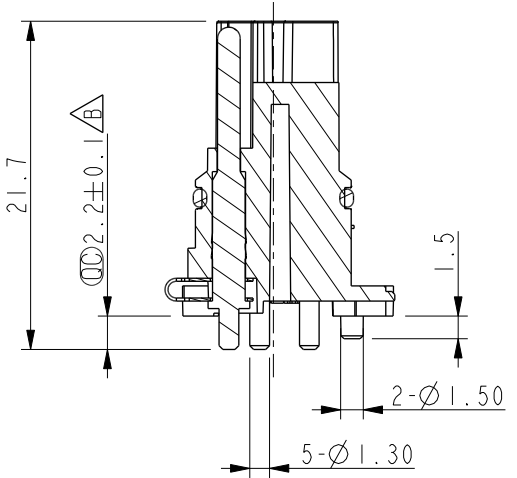
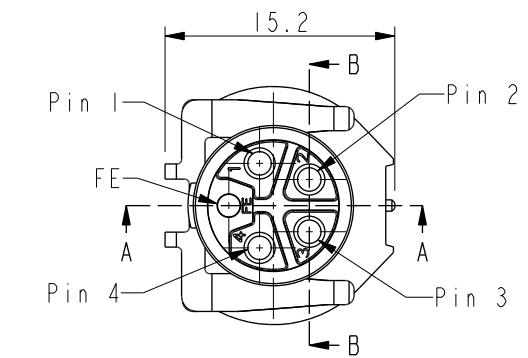
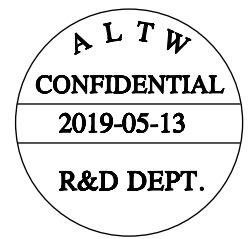
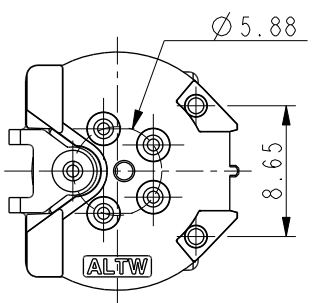


REV.	ECN NO.	DATE	SIGN	DESCRIPTION
A		2019-04-12	Allen Pan	03版轉A
B	CI90737	2019-05-13	Allen Pan	取消半成品階ZSE00108751·增加檢驗尺寸



Recommended PCB Layout  
General tolerance:  $\pm 0.05$  mm



- Notes:
- \* Rated Voltage: 63V DC.
  - \* Rated Current: 16A.
  - \* Operating Temperature: -25~105°C.
  - \* Housing: Thermoplastic, Black.
  - \* Pin: Copper Alloy, Gold Plated.
  - \* Gasket: Rubber, Black.
  - \* Spring: Metal.
  - \* Packing: Tray.
  - \* Gasket is packed separately in PE bags.

UNIT: mm			TITLE M12 L CODE, PANEL, THRU HOLE TYPE 5PIN, FEMALE CONN.
TOLERANCE	.X $\pm 0.25$	.XX $\pm 0.1$	SCALE 2:1
.XXX $\pm 0.05$	ANGLES $\pm 2^\circ$	REV. B	SIZE A4
		WC-REV. A.9	SHEET 1 OF 1

**Amphenol LTW**  
安費諾亮泰企業股份有限公司

ITEM NO. M12L-05PFFP-EE0001	DRAWN BY Allen Pan	DATE 2019-05-13
DWG NO. M12L-05PFFP-EE0001	CHECKED BY Fred Lee	DATE 2019-05-13
CUSTOMER ALTW	APPROVED BY Fred Lee	DATE 2019-05-13

THIS DOCUMENT IS SUBJECT TO CHANGE WITHOUT NOTICE. IT IS CONFIDENTIAL AND A PROPERTY OF Amphenol LTW. DISCLOSURE TO THIRD PARTY HAS TO BE AUTHORIZED BY Amphenol LTW.