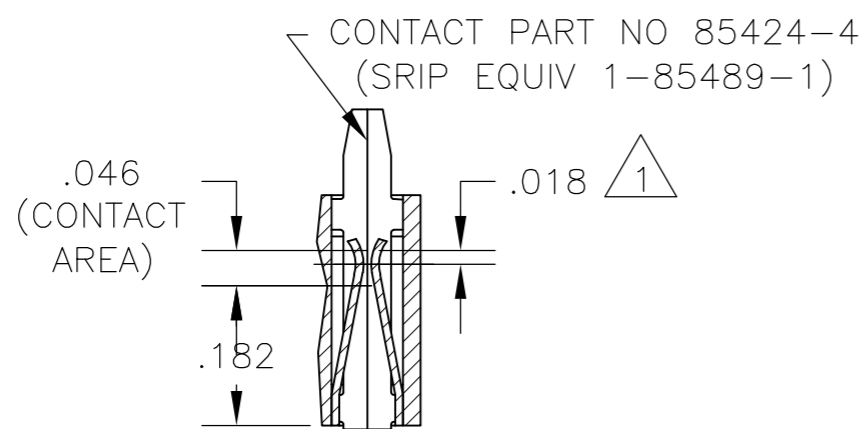
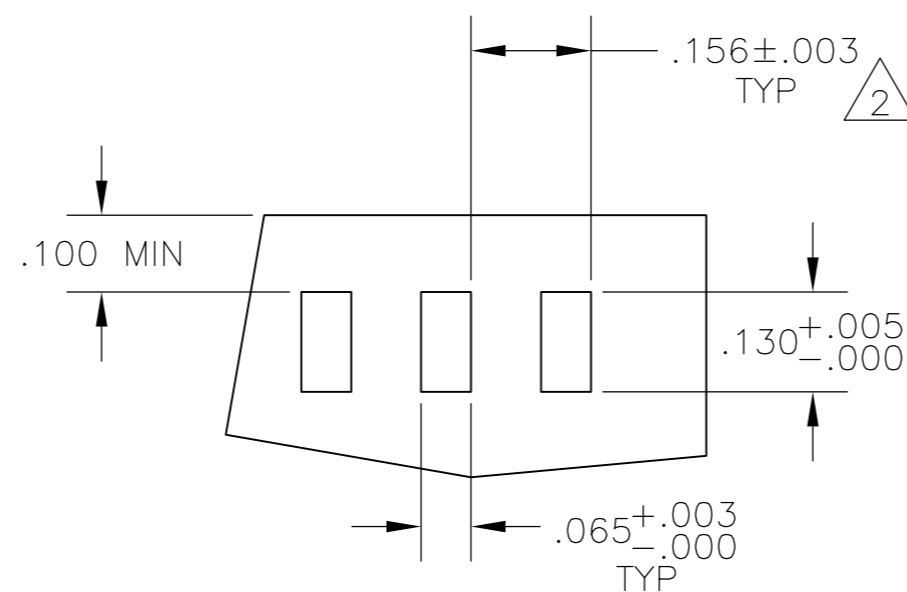


THIS DRAWING IS UNPUBLISHED. RELEASED FOR PUBLICATION  
 © COPYRIGHT BY TYCO ELECTRONICS CORPORATION. ALL RIGHTS RESERVED.

| LOC |     | DIST                      |         | REVISIONS |      |  |  |
|-----|-----|---------------------------|---------|-----------|------|--|--|
| P   | LTR | DESCRIPTION               | DATE    | DWN       | APVD |  |  |
| G1  |     | REVISED PER ECO-09-024717 | 05NOV09 | KK        | AEG  |  |  |

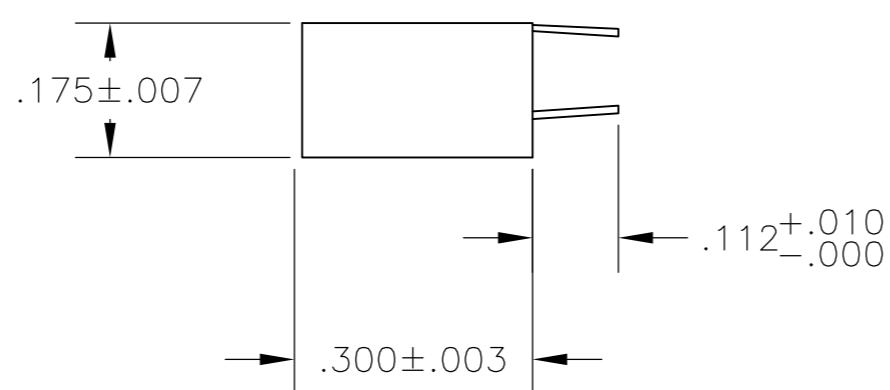
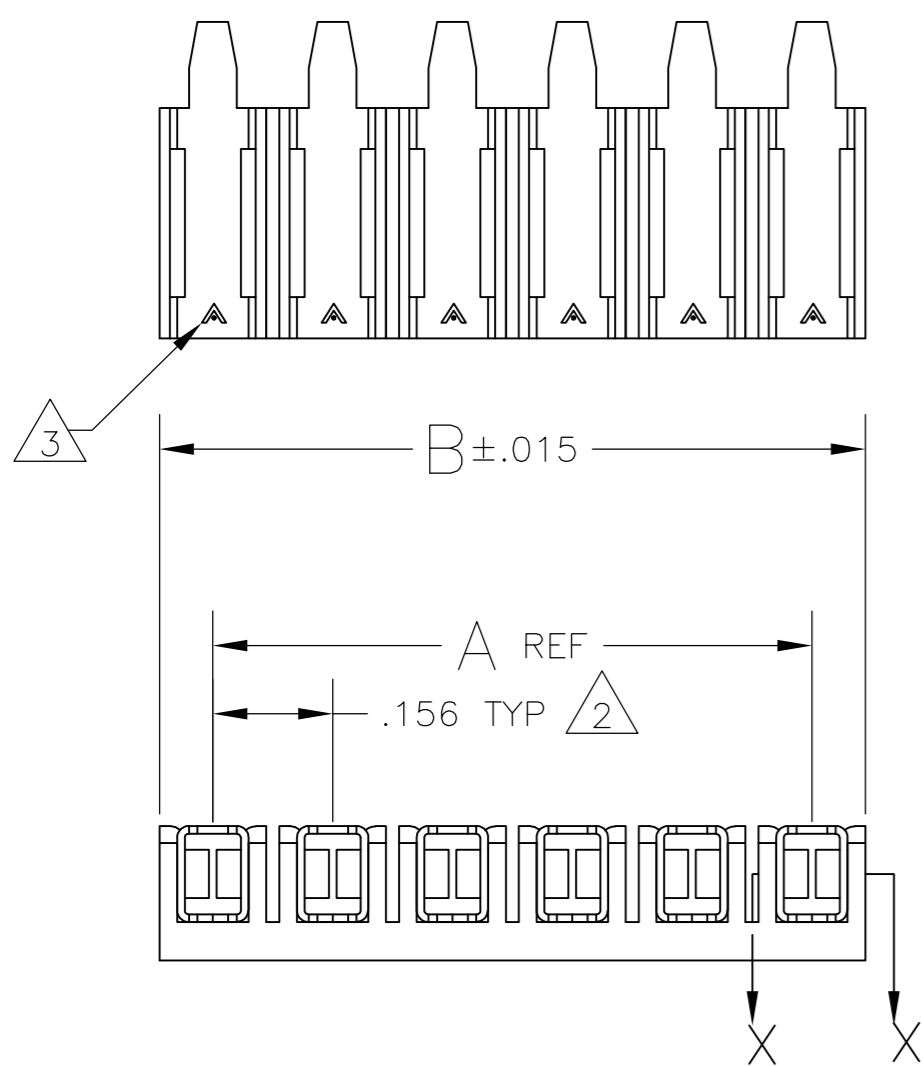


SECTION X-X



RECOMMENDE BOARD MOUNTING  
 (RECOMMENDE BOARD THICKNESS: .055-.070)

- △1 POINT OF MEASUREMENT FOR PLATING THICKNESS (INSIDE OF BEAMS).
- △2 TOLERANCE NON-CUMULATIVE.
- △3 THE MATING END OF THE CONTACT IS IDENTIFIED BY THE LETTER "A" STAMPED ON THE RECEPTACLE BOX.
- △4 OBSOLETE PARTS: OBSOLETE CIS STREAMLINING PER D.RENAUD/D.SINISI



| △4 OBSOLETE | 1.404 | 1.248 | 9          | 102706-2 |
|-------------|-------|-------|------------|----------|
|             | .936  | .780  | 6          | 102706-1 |
|             | B     | A     | NO OF POSN | PART NO  |

|  |  |                            |  |               |
|--|--|----------------------------|--|---------------|
| THIS DRAWING IS A CONTROLLED DOCUMENT.   |  | DWN 09JUL85<br>L D RINGLEY | Tyco Electronics Corporation<br>Harrisburg, PA 17105-3608  |               |
| DIMENSIONS: INCHES   |  | CHK 09JUL85<br>P C DE JONG | Tyco Electronics   |               |
| TOLERANCES UNLESS OTHERWISE SPECIFIED:   |  | APVD 09JUL85<br>D T CASEY  | ASSEMBLY, MOD I, BOARD MOUNT RECP,<br>.156CL, STANDARD PRESSURE, TYP B,<br>FOR RECTANGULAR HOLE MOUNTING |               |
| 0 PLC ± -  |  | PRODUCT SPEC               | SIZE   | RESTRICTED TO |
| 1 PLC ± -  |  | APPLICATION SPEC           | A2   | -             |
| 2 PLC ± -  |  | WEIGHT                     | CAGE CODE  | DRAWING NO    |
| 3 PLC ± .005   |  | -                          | -  | C=102706      |
| 4 PLC ± -  |  | CUSTOMER DRAWING           | SCALE  | SHEET         |
| ANGLES ± -   |  |                            | 4:1  | 1 of 1        |
| MATERIAL HOUSING-FLAME RETARDANT THERMOPLASTIC, COLOR-BLACK                                  |  | CONTACTS: PHOS BRONZE      | SCALE  | REV           |
| FINISH .000015 GOLD IN THE CONTACT AREA, GOLD FLASH ON THE RETARDER, ALL OVER .000050 NICKEL |  |                            | 4:1  | G1            |