

THIS DRAWING IS UNPUBLISHED.

RELEASED FOR PUBLICATION

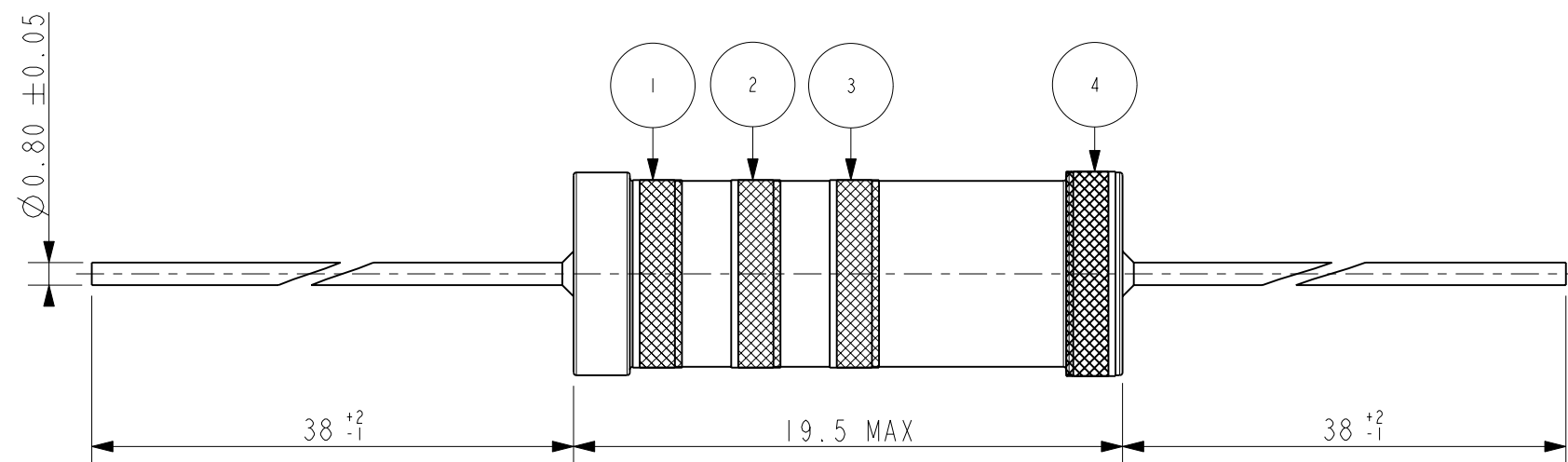
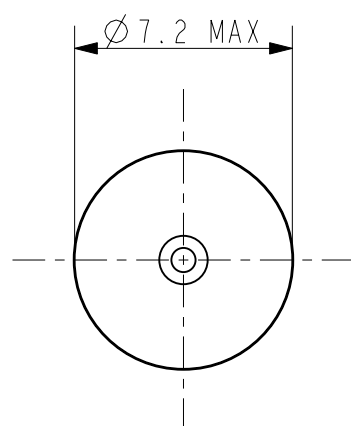
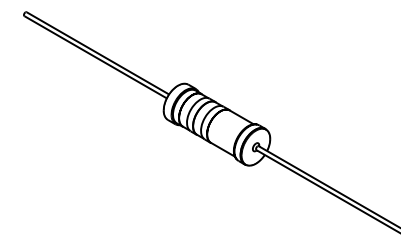
2009

© COPYRIGHT 2009

ALL RIGHTS RESERVED.

LOC	DIST	REVISIONS			
P	LTR	DESCRIPTION	DATE	DWN	APVD
E	B	BA4	REFER ECR-11-015985	02AUG2011	PSK JC

COLOR CODING - EXAMPLE	
BAND	COLOR
1	BROWN
2	BLACK
3	BROWN
4	GOLD



NOTES:

1. RATED POWER @ 70°C: 5W
2. TOLERANCE: 5%
3. TEMP. COEFFICIENT: ±300ppm/°C
4. SURGE RATING: SEE SCHEDULE TABLE
5. OPERATING TEMP. RANGE: -55 to +155°C
6. DIELECTRIC STRENGTH: 500V
7. RESISTANCE AS PER COLOUR CODING IN ACCORDANCE WITH IEC62 - EXAMPLE SHOWN 100Ω (BANDS 1 - 3)
8. TOLERANCE AS PER COLOUR CODING IN ACCORDANCE WITH IEC62 - EXAMPLE SHOWN GOLD - 5% (BAND 4)

SCHEDULE					
ITEM NO	TE PART NO	MEC PART NO	DESCRIPTION	CUSTOMER PART NO	MAXIMUM SURGE VOLTAGE (1.2/50μs)
1	1879901-1	R9007100RJ	R9007 100R 5%	72324	10 kV
2	1879901-2	R9007200RJ	R9007 200R 5%	69211	10 kV
3	1879901-3	R9007360RJ	R9007 360R 5%	72138	10 kV

RoHS Compliant

THIS DRAWING IS A CONTROLLED DOCUMENT.		DWN 04OCT2010 PARUSURAM, J		TE Connectivity R9007 SURGE RESISTOR	
DIMENSIONS: mm		CHK 04OCT2010 J.CATCHPOLE			
TOLERANCES UNLESS OTHERWISE SPECIFIED:		APVD 04OCT2010 J.CATCHPOLE		NAME	
0 PLC ±0.5		PRODUCT SPEC		-	
1 PLC ±0.2		APPLICATION SPEC		-	
2 PLC ±0.1		WEIGHT		-	
3 PLC ±		CUSTOMER DRAWING		SCALE 4:1	
4 PLC ±		FINISH		SHEET 1 OF 1	
ANGLES ±0.5°		-		REV BA4	
MATERIAL -		-		RESTRICTED TO -	