



AMP | AMP Type III+

TE Internal #: 202236-7

Power Contacts, Contact, Gold, Wire & Cable, Solder Tab, Power & Signal, Pin, -55 – 150 °C [-67 – 302 °F], Brass, Bright, Tin-Lead, AMP Type III+

[View on TE.com >](#)

Connectors > Power Connectors > Power Contacts > Pin and Socket Contacts, Type III, LP



Power Contact Type: **Contact**

Contact Mating Area Plating Material: **Gold**

Connector & Contact Terminates To: **Wire & Cable**

Termination Method to Wire & Cable: **Solder Tab**

Contact Current Rating (Max): **13 A**

[All Pin and Socket Contacts, Type III, LP \(53\)](#)

## Features

### Product Type Features

Power Contact Type	Contact
Connector & Contact Terminates To	Wire & Cable

### Contact Features

Contact Size	Size 16
Contact Mating Area Plating Material	Gold
Contact Current Rating (Max)	13 A
Contact Type	Pin
Contact Retention Within Housing	With
Mating Pin Diameter	1.57 mm[.062 in]
Contact Base Material	Brass
Contact Mating Area Plating Material Thickness	.76 µm[30 µin]
Contact Mating Area Plating Material Finish	Bright
Wire Contact Termination Area Plating Thickness	2.54 µm[100 µin]



Wire Contact Termination Area Plating Material	Tin-Lead
Wire Contact Termination Area Plating Material Finish	Bright
Contact Orientation	Straight
Contact Underplating Material	Nickel
Contact Underplating Material Thickness	1.27 µm[50 µin]

### Termination Features

Termination Method to Wire & Cable	Solder Tab
------------------------------------	------------

### Mechanical Attachment

Wire Insulation Support	Without
-------------------------	---------

### Usage Conditions

Operating Temperature Range	-55 – 150 °C[-67 – 302 °F]
-----------------------------	----------------------------

### Operation/Application

Circuit Application	Power & Signal
---------------------	----------------

### Packaging Features

Packaging Quantity	1000
Packaging Method	Carton

### Other

Power Connectors Comment	These contacts can be used in MultiMate contact positions of all connector housings.
--------------------------	--

## Product Compliance

[For compliance documentation, visit the product page on TE.com>](#)

EU RoHS Directive 2011/65/EU	Compliant
EU ELV Directive 2000/53/EC	Compliant
China RoHS 2 Directive MIIT Order No 32, 2016	No Restricted Materials Above Threshold
EU REACH Regulation (EC) No. 1907/2006	Current ECHA Candidate List: JUNE 2023 (235) Candidate List Declared Against: JAN 2023 (233) Does not contain REACH SVHC
Halogen Content	Low Halogen - Br, Cl, F, I < 900 ppm per homogenous material. Also BFR/CFR/PVC Free
Solder Process Capability	Not applicable for solder process capability



Product Compliance Disclaimer

This information is provided based on reasonable inquiry of our suppliers and represents our current actual knowledge based on the information they provided. This information is subject to change. The part numbers that TE has identified as EU RoHS compliant have a maximum concentration of 0.1% by weight in homogenous materials for lead, hexavalent chromium, mercury, PBB, PBDE, DBP, BBP, DEHP, DIBP, and 0.01% for cadmium, or qualify for an exemption to these limits as defined in the Annexes of Directive 2011/65/EU (RoHS2). Finished electrical and electronic equipment products will be CE marked as required by Directive 2011/65/EU. Components may not be CE marked. Additionally, the part numbers that TE has identified as EU ELV compliant have a maximum concentration of 0.1% by weight in homogenous materials for lead, hexavalent chromium, and mercury, and 0.01% for cadmium, or qualify for an exemption to these limits as defined in the Annexes of Directive 2000/53/EC (ELV). Regarding the REACH Regulation, the information TE provides on SVHC in articles for this part number is based on the latest European Chemicals Agency (ECHA) 'Guidance on requirements for substances in articles' posted at this URL: <https://echa.europa.eu/guidance-documents/guidance-on-reach>

### Compatible Parts



TE Part # CAT-AM71-C83998C  
Circular Plastic Connector, CMC Series 1



TE Part # CAT-AM71-C83998Y  
One-Piece Connector, Sealed, CPC Series 1



TE Part # CAT-AM71-C83998J  
Cable/Panel Mount Connector, CPC Series 1



TE Part # CAT-AM71-C83998K  
Circular Connector, Environmentally Sealed, CPC Series 6



TE Part # 202237-7  
III+SOC,SOLTAB,30AU>10,LP,SN



TE Part # 200893-2  
INSERTION TOOL CONT



TE Part # 539972-1  
EXTRACTION TOOL

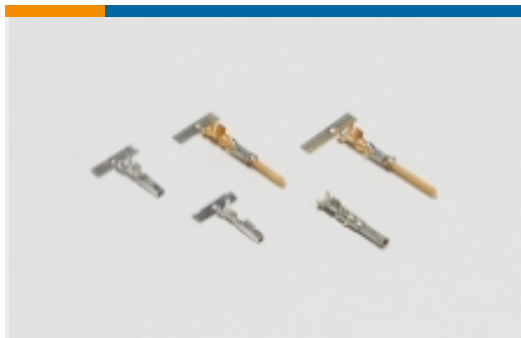


TE Part # 305183  
EXTRACT TOOL TYPE 2 20-16

### Also in the Series | AMP Type III+



Insertion & Extraction Tools(4)

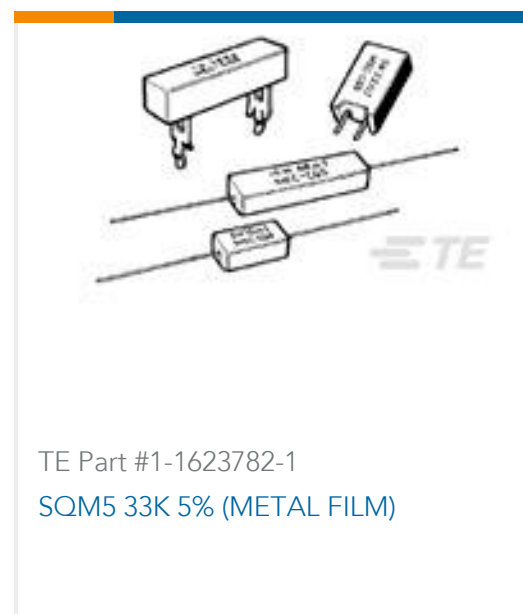


Power Contacts(409)

### Customers Also Bought



TE Part #1-6609021-4  
30VB6=F7355 S0



TE Part #1-1623782-1  
SQM5 33K 5% (METAL FILM)



TE Part #1903113-2  
DYNAMIC D1000 TAB CONT AU 0.38  
um L REEL



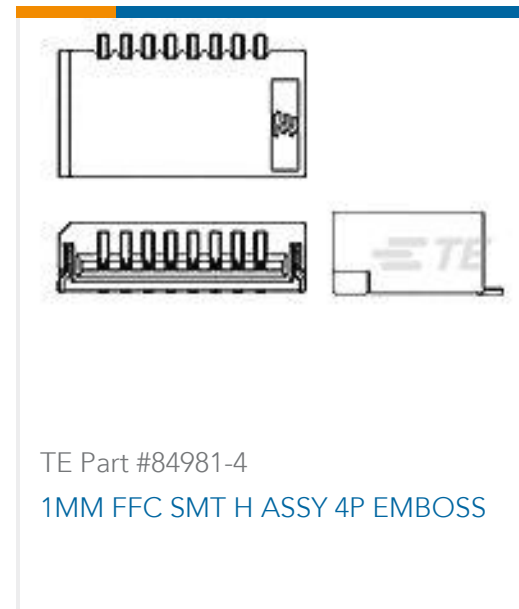
TE Part #2201855-2  
MINI I/O PLUG KIT TYPE I M



TE Part #726974-000  
TXR40AB00-1004AI



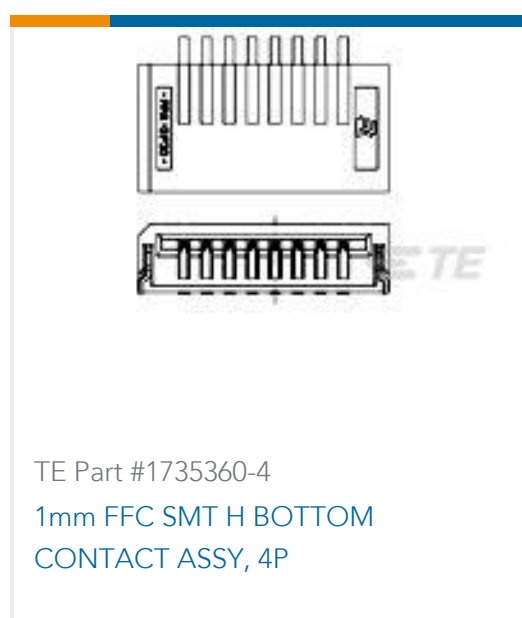
TE Part #1-111504-4  
10 UNIV I/O, NO EARS, LEAD FREE



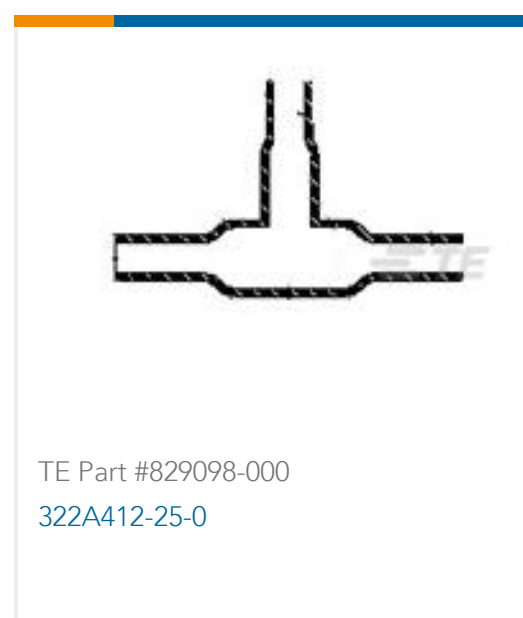
TE Part #84981-4  
1MM FFC SMT H ASSY 4P EMBOSS



TE Part #2-520306-2  
ULTRA-FAST .110/.125 ASY REC 22-18  
TPBR



TE Part #1735360-4  
1mm FFC SMT H BOTTOM  
CONTACT ASSY, 4P



TE Part #829098-000  
322A412-25-0

## Documents

### Product Drawings

III+PIN,SOLTAB,30AU>10,LP,SN

English

### CAD Files

3D PDF

3D

Customer View Model

[ENG\\_CVM\\_CVM\\_202236-7\\_Y.2d\\_dxf.zip](#)

English

Customer View Model

[ENG\\_CVM\\_CVM\\_202236-7\\_Y.3d\\_igs.zip](#)

English

Customer View Model

[ENG\\_CVM\\_CVM\\_202236-7\\_Y.3d\\_stp.zip](#)

English

3D PDF

English



**Customer View Model**

[ENG\\_CVM\\_202236-7\\_T.2d\\_dxf.zip](#)

English

**Customer View Model**

[ENG\\_CVM\\_202236-7\\_T.3d\\_igs.zip](#)

English

**Customer View Model**

[ENG\\_CVM\\_202236-7\\_T.3d\\_stp.zip](#)

English

By downloading the CAD file I accept and agree to the [Terms and Conditions](#) of use.

---

**Datasheets & Catalog Pages**

[Signal Contacts](#)

English

---

**Product Specifications**

[Application Specification](#)

English

---

**Product Environmental Compliance**

[MD\\_202236-7\\_12112013729\\_dmtec](#)

English

[MD\\_202236-7\\_12112013729\\_dmtec](#)

English