

Amphenol Advanced Sensors

Amphenol Thermometrics (UK) Ltd., Crown Industrial Estate,
Priorswood Road, Taunton, Somerset, TA2 8QY, UK
Tel +44 (0) 1823 335200 Fax +44 (0) 1823 332637

| | | |
|---------------------------|---|-----------------|
| TEST SPECIFICATION | PART No. YQS6054 | ISSUE: B |
| CUSTOMER: Various | DATE: 8th March, 2010 | QUANTITY: |
| Customer P/N: | ORIGINATOR: M.J.Roberts | PAGE 1 OF 1 |

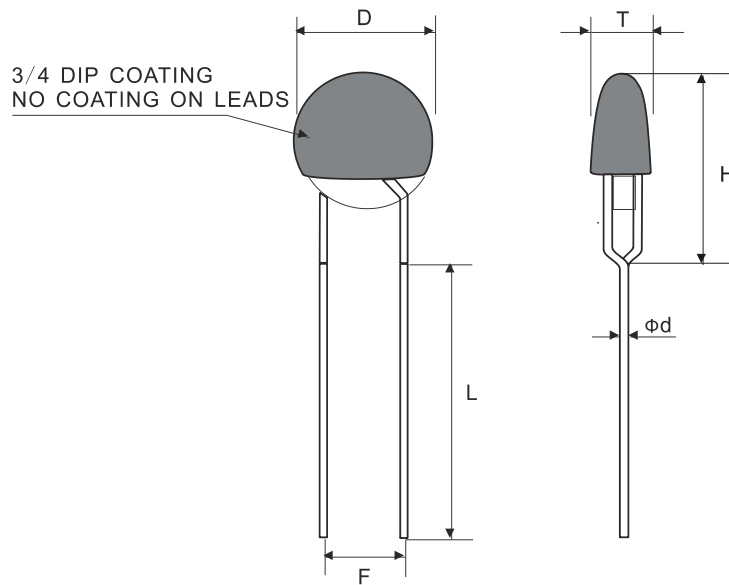
DESCRIPTION: PTC THERMISTOR INTENDED FOR USE AS A CURRENT LIMITING PROTECTION DEVICE

MECHANICAL SPECIFICATION

CONSTRUCTION: CERAMIC DISC WITH ¾ DIPPED SILICONE RESIN COATING.
UNINSULATED LEADWIRES.

TERMINATIONS: SIDE KINK, TIN COATED COPPER WIRE

DIMENSIONS in mm: SEE DRAWING BELOW.



| | D | T | F | d | L | H |
|-----|------|------|-----|------|----|----|
| Max | 6.09 | 4.31 | 6.0 | 0.55 | | 12 |
| Min | | | 4.0 | 0.45 | 25 | |

RESISTANCE AT 25°C, R₂₅: 100Ω ± 30%

SWITCHING TEMPERATURE T_b (defined as 2 x R_{min}): 60°C ± 7°C

NORMAL OPERATING VOLTAGE 30Vdc.

BREAKDOWN VOLTAGE, VBD >36Vdc.

NOTES:

- (1) Measuring Current: 5mA max.
- (2) Resistance – 2 x Resistance minimum

| | | | | | | | |
|--|----------|----------|--|--|--|--|--|
| CHANGES SINCE LAST ISSUE: Δ Side kink wire | | | | | | | |
| Issue : | A | B | | | | | |
| Date : | 06/01/10 | 08/03/10 | | | | | |