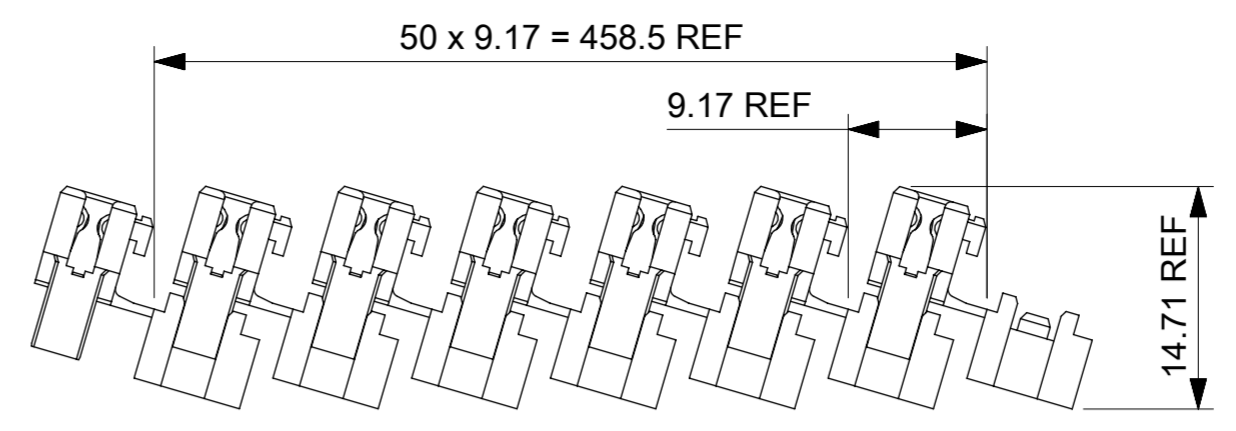
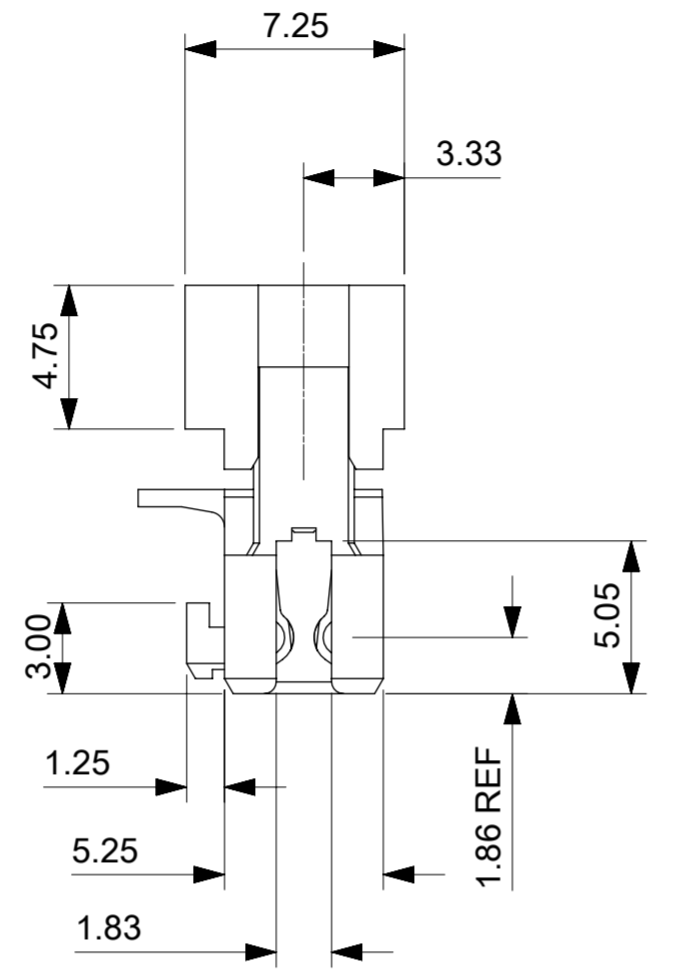
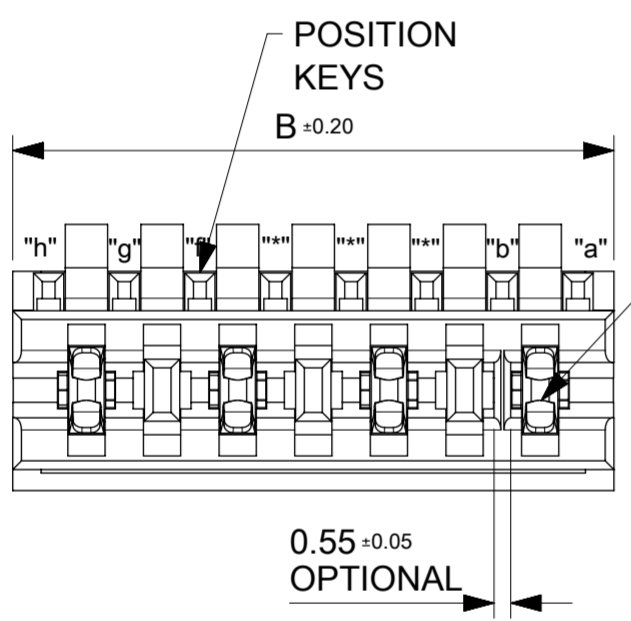
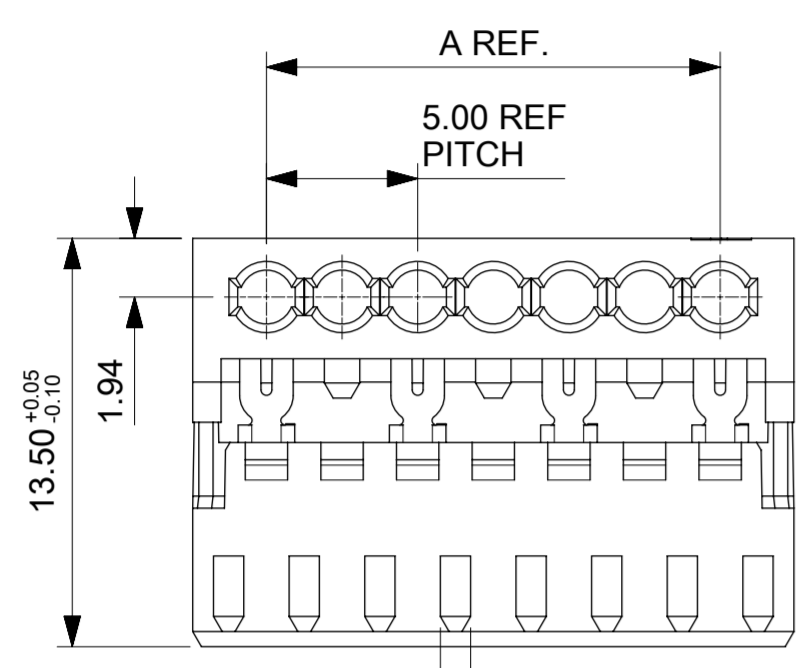
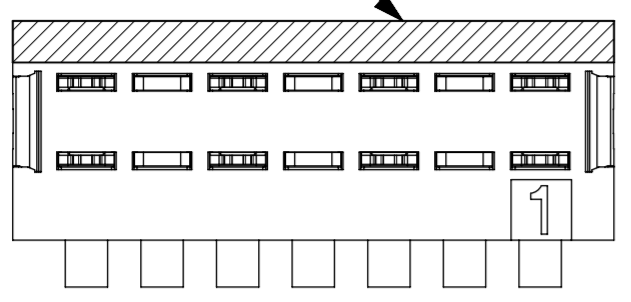


4000012662

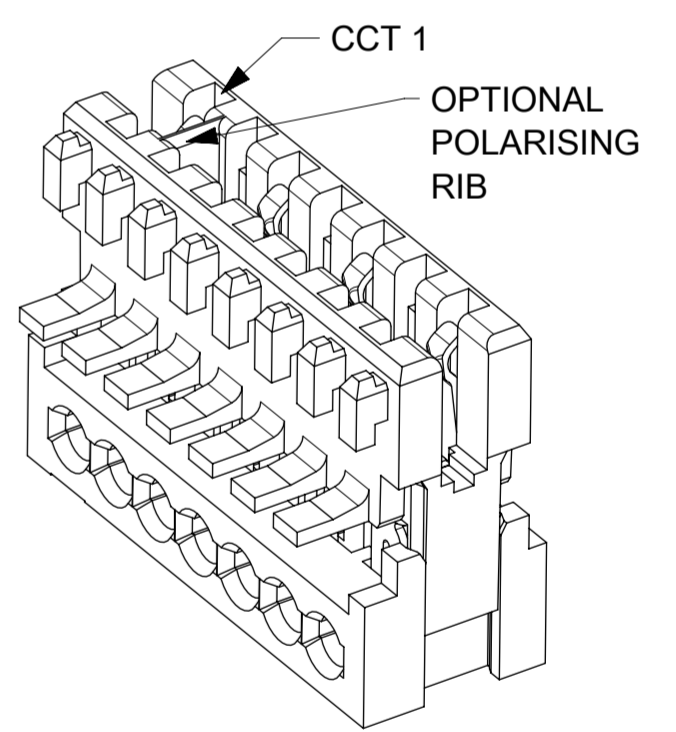
POSITION OF COLOUR STRIPE (see note 3)



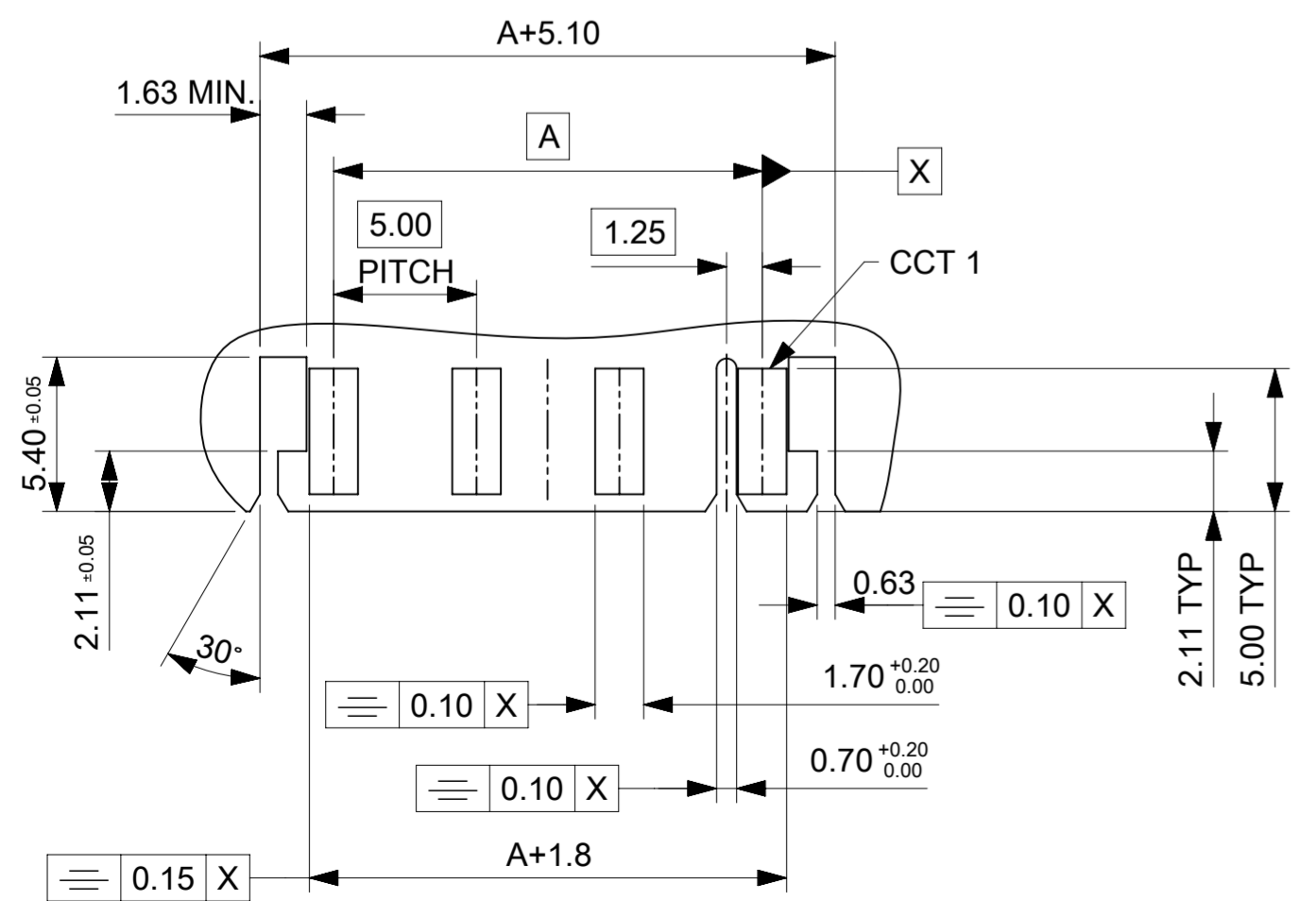
SHIPPING ARRANGEMENT
SCALE 2:1

CCT	A	B
2	5	9.875
3	10	14.875
4	15	19.875
5	20	24.875
6	25	29.875
7	30	34.875
8	35	39.875
9	40	44.875
10	45	49.875

CIRCUIT 1



OPEN END WALLS OPTION.



- PCB LAYOUT FOR 4CCT (5mm) CONNECTOR
(WITH OPTIONAL POSITIONAL RIB SLOT BETWEEN CCT 1 & 2)
- RECOMMENDED PCB THICKNESS 1.5±0.14

- NOTES:
- REFER TO PRODUCT SPECIFICATION: PS-99020-0040.
 - MATERIAL: HOUSING - POLYAMIDE 6 (PA6)
UL94-V2, COLOUR: NATURAL.
TERMINAL: PHOSPHOR BRONZE 0.30 REF. THICK - PLATING
HOT TIN DIP.
 - COLOUR STRIPE IS OPTIONAL. AVAILABLE IN THE FOLLOWING
COLOURS: RED, GREEN, BLUE, ORANGE, BLACK, YELLOW,
BROWN AND VIOLET.
(BLACK SIGNIFIES CUSTOMER SPECIFIC CONFIGURATION).
 - REFER TO PACKAGING SPEC (PK-90871-001)
 - REFER TO APPLICATION SPEC (990330008 AS)
 - REFER TO WORK INSTRUCTION (WI1643)

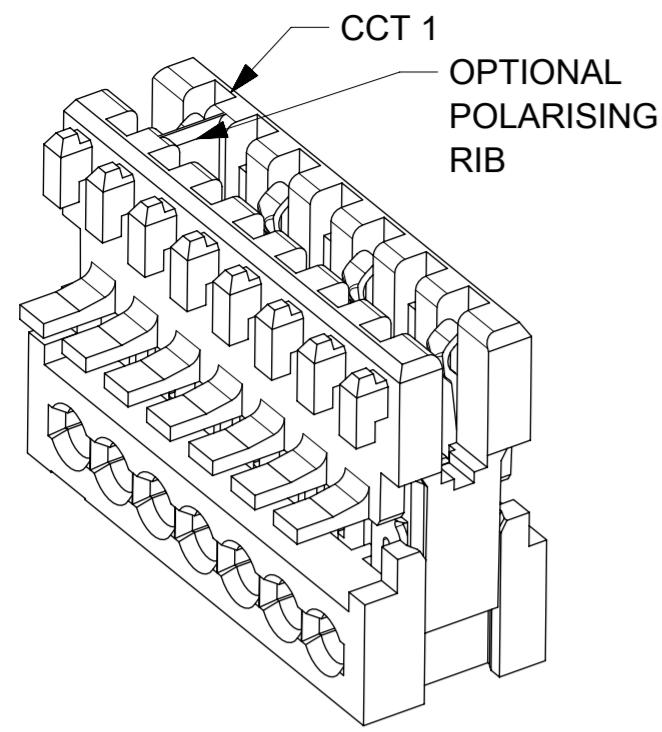
THIS DRAWING CONTAINS INFORMATION THAT IS PROPRIETARY TO MOLEX ELECTRONIC TECHNOLOGIES, LLC AND SHOULD NOT BE USED WITHOUT WRITTEN PERMISSION									
DIMENSION UNITS	SCALE	CURRENT REV DESC:							
mm	20:1								
GENERAL TOLERANCES (UNLESS SPECIFIED)									
ANGULAR TOL	± 0.5°								
4 PLACES	±	EC NO: 675456							
3 PLACES	± 0.05	DRWN: MBN02	2021/08/25						
2 PLACES	± 0.1	CHK'D: MBN02	2021/08/26						
1 PLACE	± 0.2	APPR: SDEVITT	2021/09/28						
0 PLACES	±	INITIAL REVISION:							
DRAFT WHERE APPLICABLE MUST REMAIN WITHIN DIMENSIONS		DRWN: CFISHER01	2016/01/19						
THIRD ANGLE PROJECTION		APPR: MSHANAHAN	2016/02/09						
DRAWING		SERIES	MATERIAL NUMBER	CUSTOMER	SHEET NUMBER				
A2-SIZE		93051	SEE TABLE	GENERAL MARKET	1 OF 9				

molex

APPLI-MATE 2.5 FEMALE
G.W.T. 750 VERSION 5MM PITCH

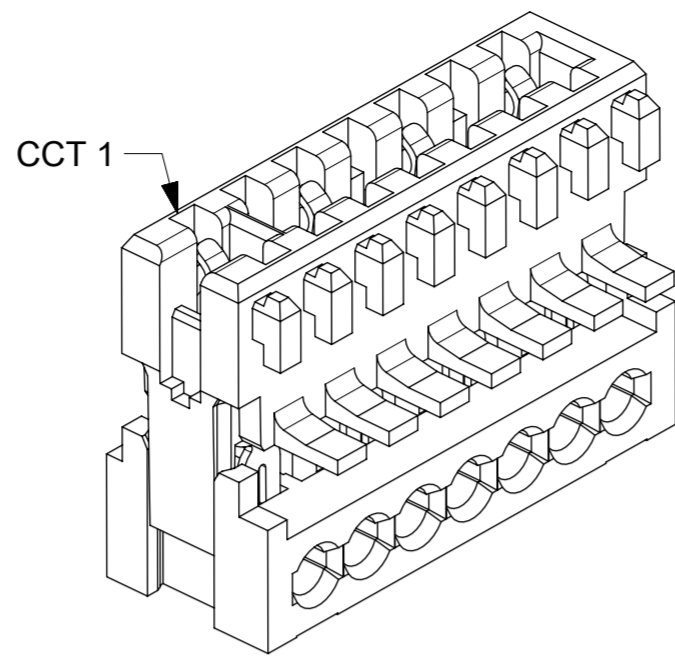
PRODUCT CUSTOMER DRAWING

DOCUMENT NUMBER	DOC TYPE	DOC PART	REVISION
930510001	PSD	000	E1



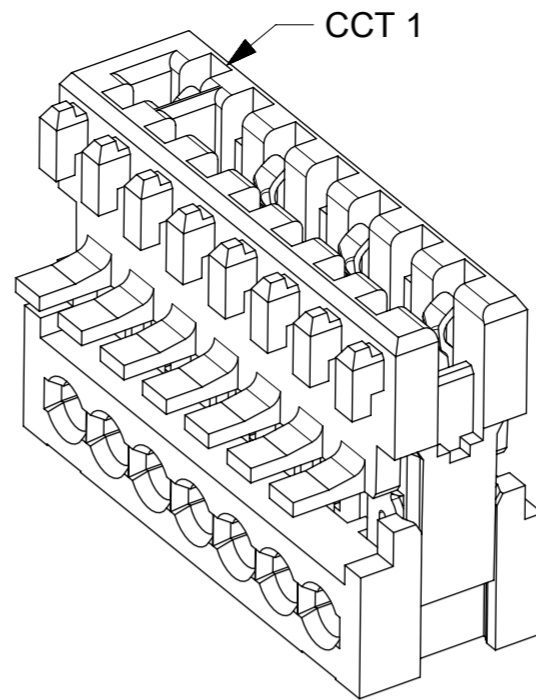
OPEN END WALL OPTION

FIRST END WALL	LAST END WALL
OPEN	OPEN



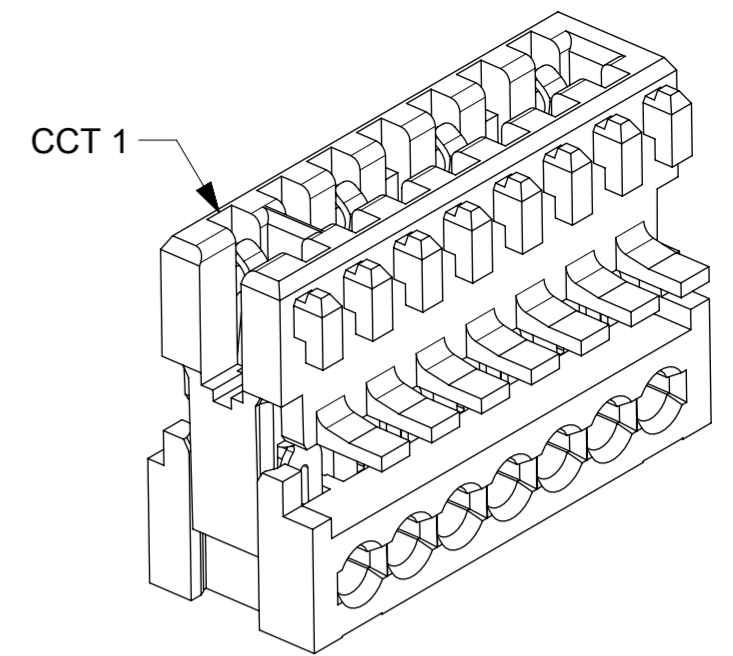
END WALL OPTION A

FIRST END WALL	LAST END WALL
HALF	CLOSED



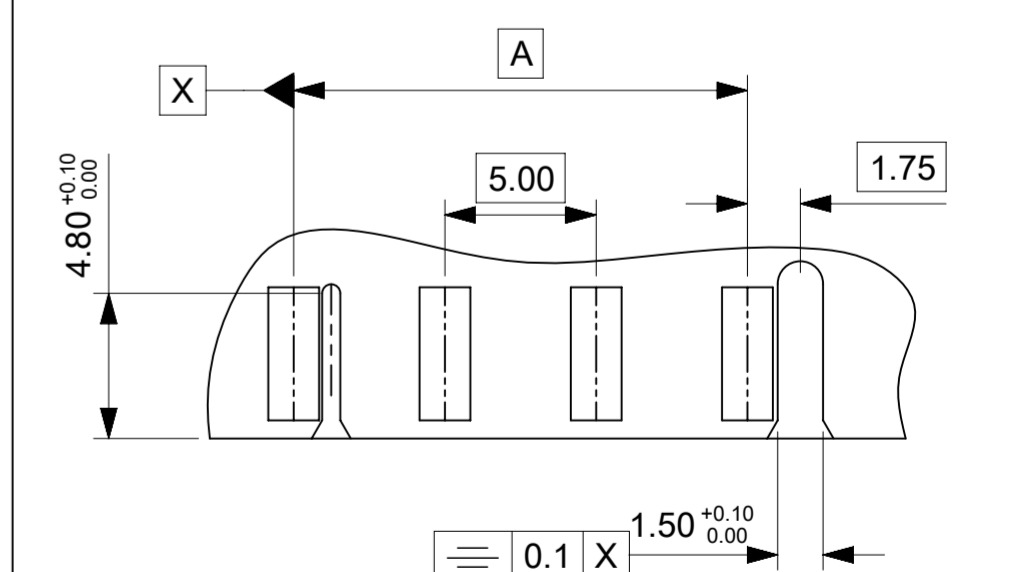
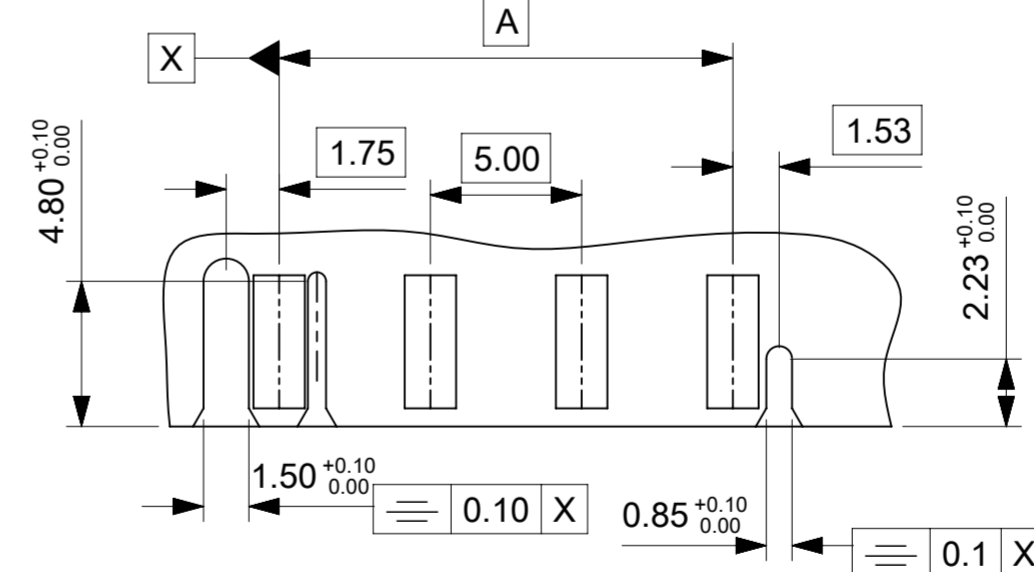
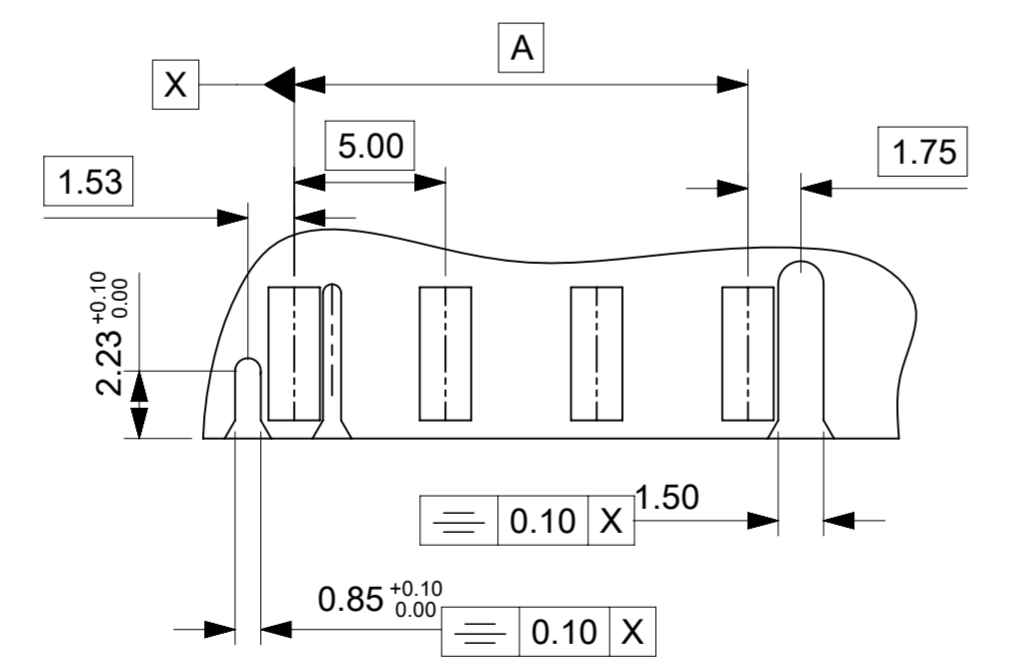
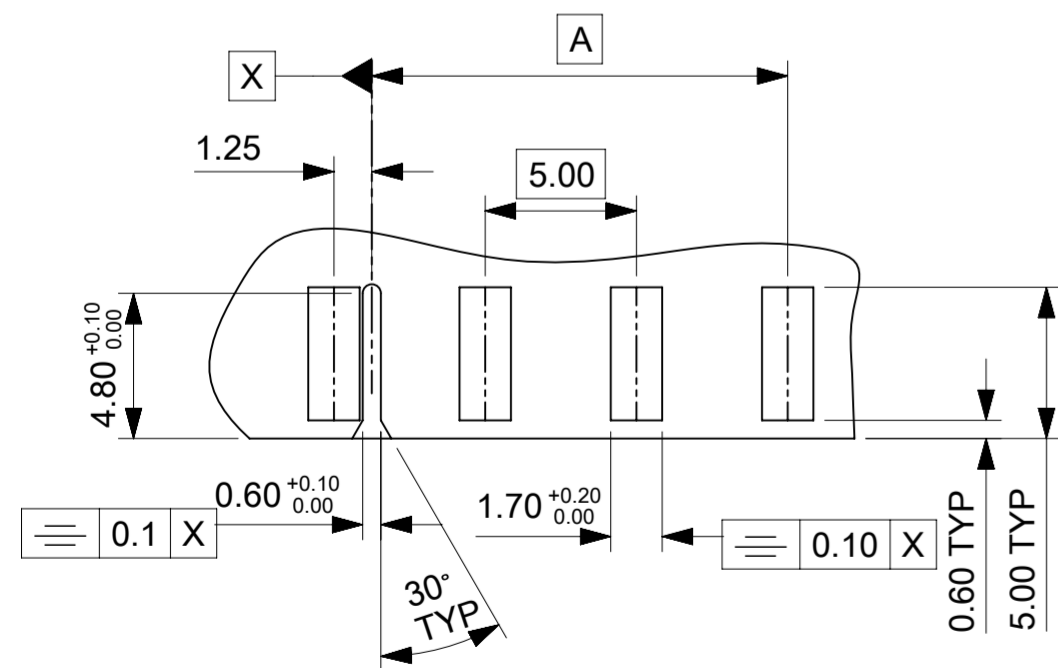
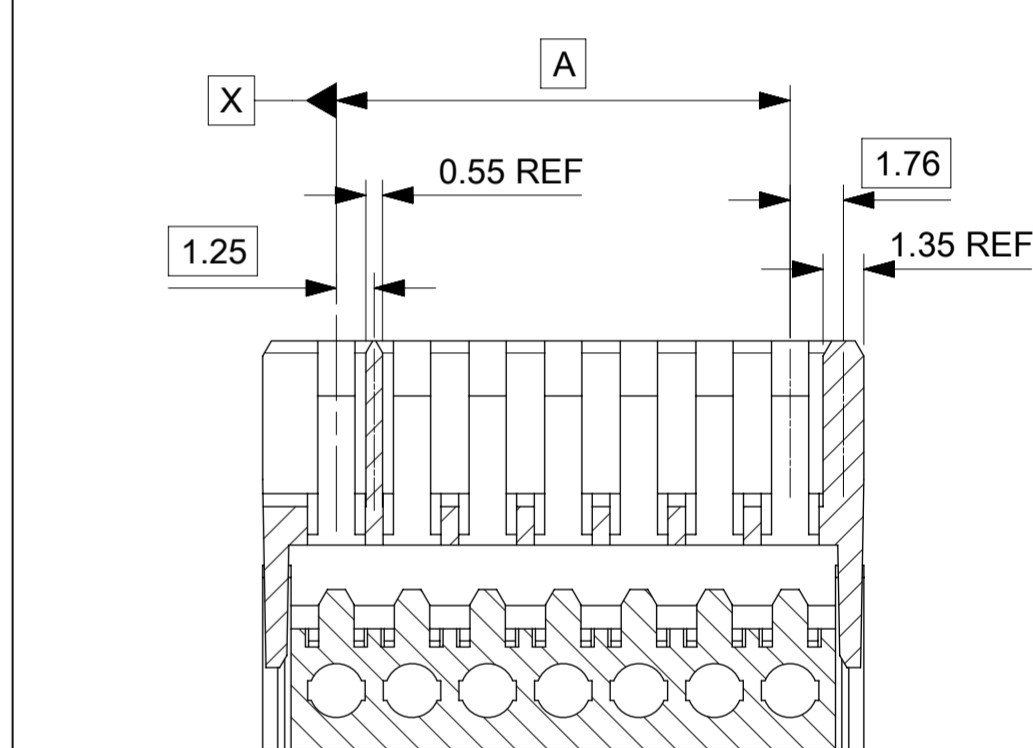
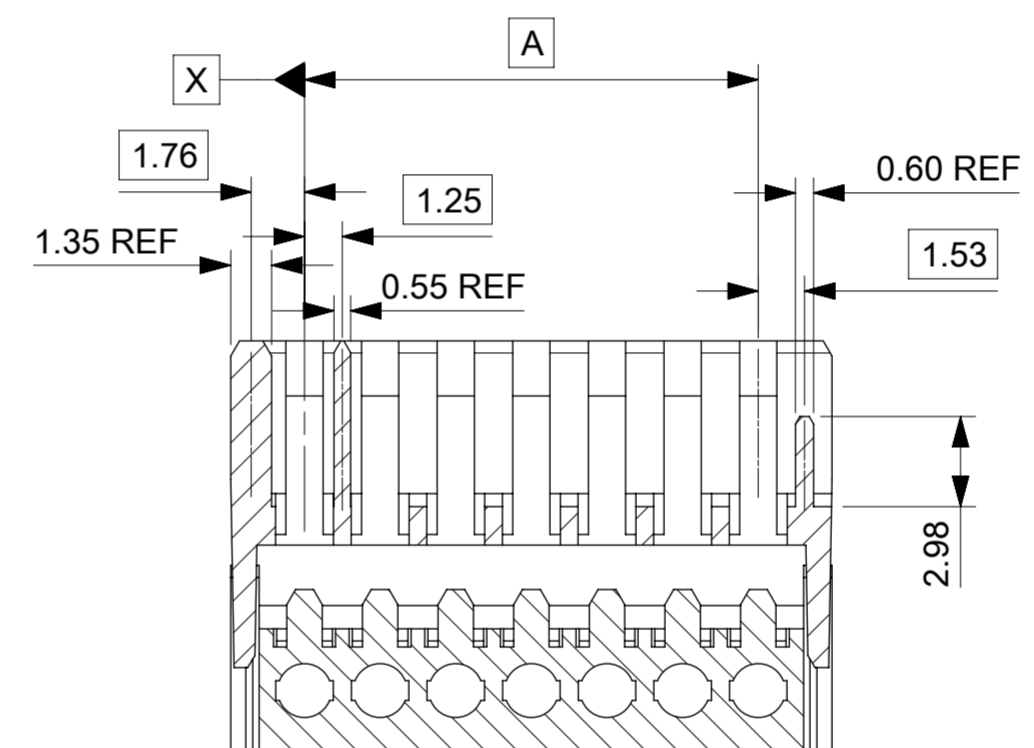
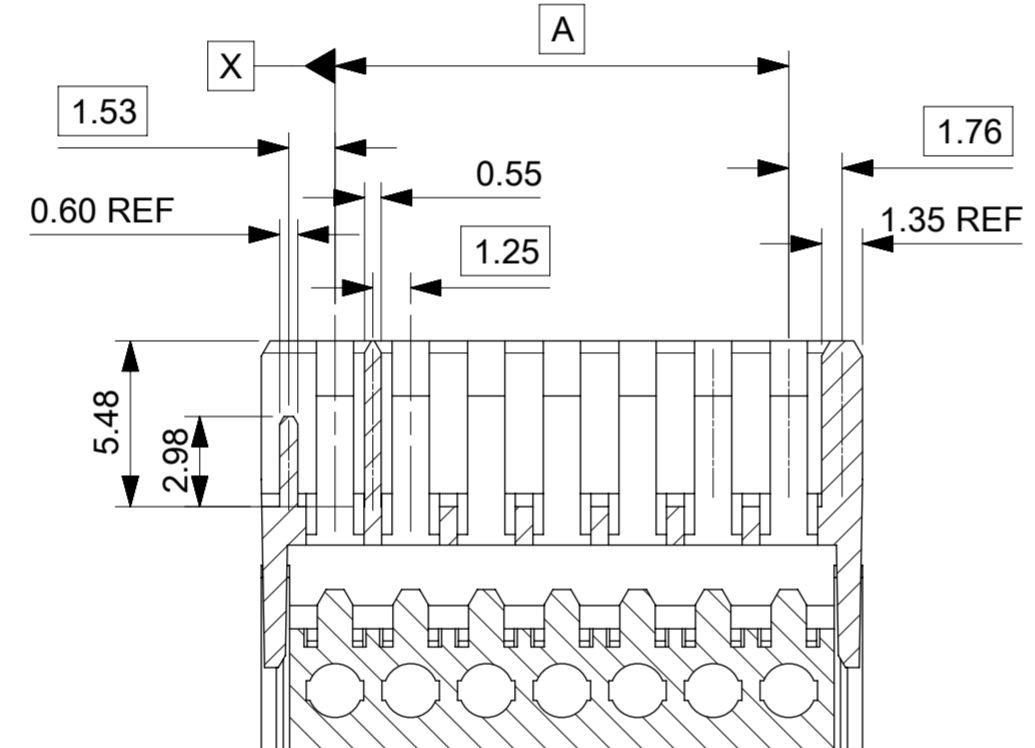
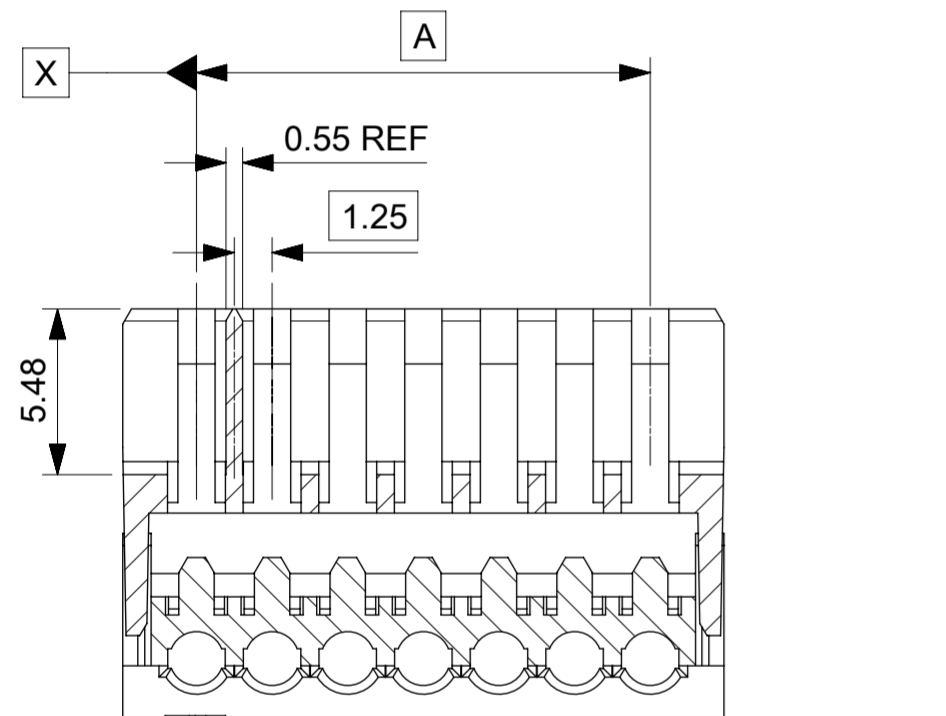
END WALL OPTION B

FIRST END WALL	LAST END WALL
CLOSED	HALF



END WALL OPTION C

FIRST END WALL	LAST END WALL
OPEN	CLOSED

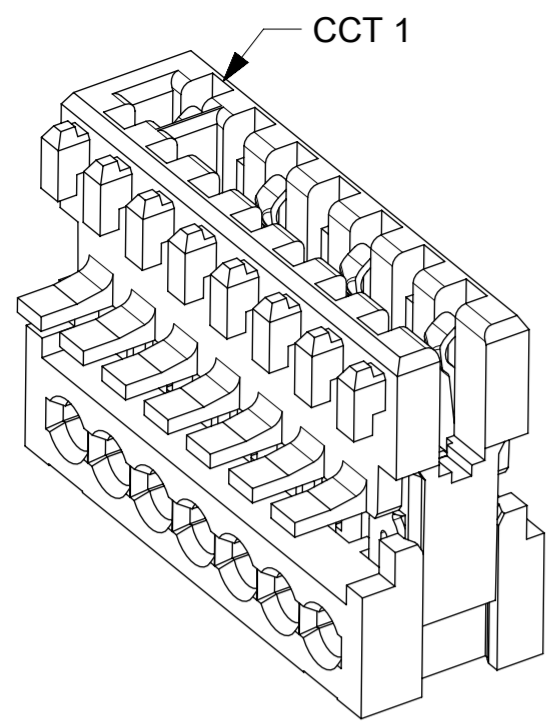


- PCB LAYOUT CCTCONNECTOR
(WITH OPTIONAL POSITIONAL RIB SLOT BETWEEN
CCT 1 & 2)
- RECOMMENDED PCB THICKNESS 1.5 ± 0.14

THIS DRAWING CONTAINS INFORMATION THAT IS PROPRIETARY TO MOLEX ELECTRONIC TECHNOLOGIES, LLC AND SHOULD NOT BE USED WITHOUT WRITTEN PERMISSION

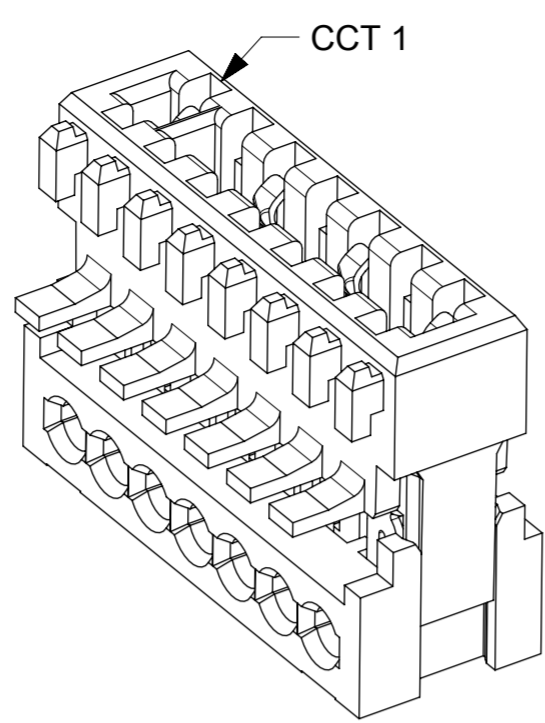
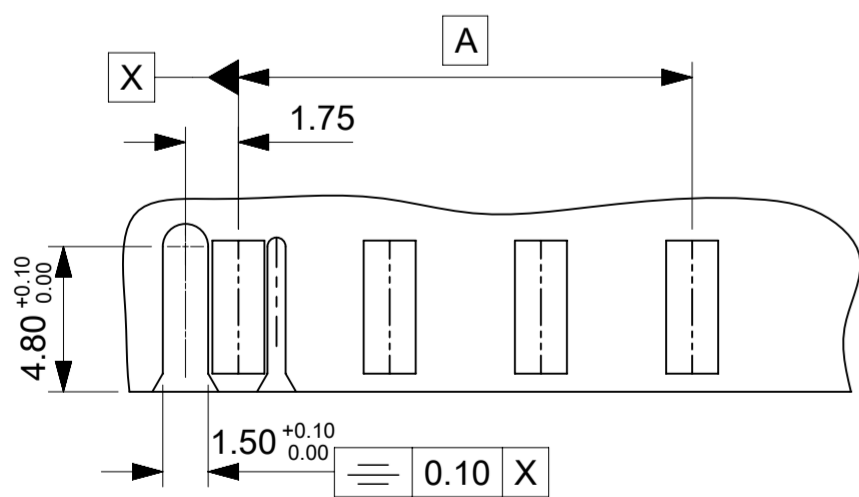
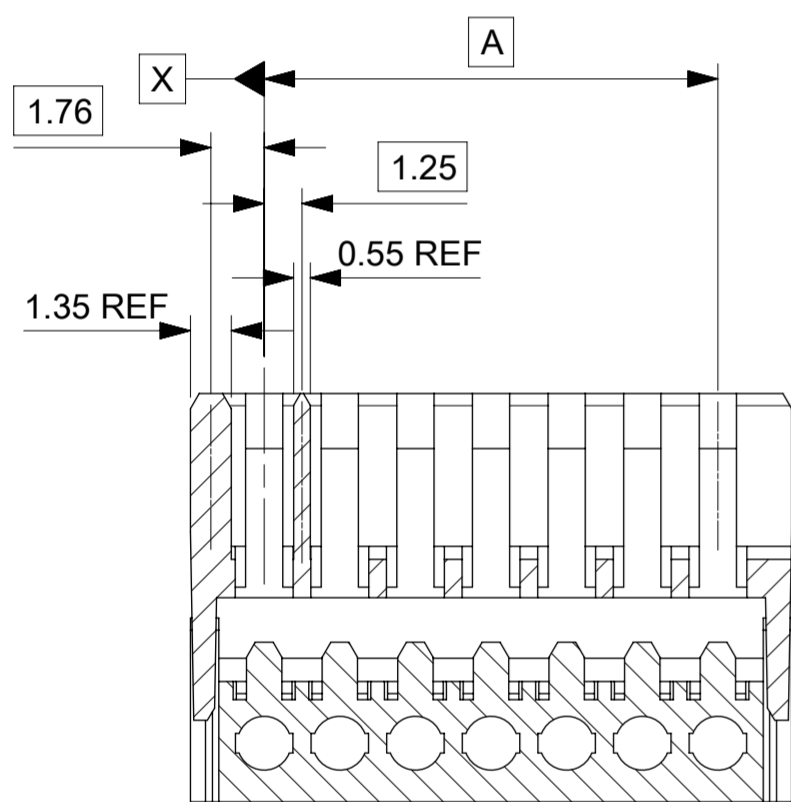
DIMENSION UNITS	SCALE	CURRENT REV DESC:
mm	1:1	
GENERAL TOLERANCES (UNLESS SPECIFIED)		
ANGULAR TOL	± 0.5°	
4 PLACES	±	EC NO: 675456
3 PLACES	± 0.05	DRWN: MBN02 2021/08/25
2 PLACES	± 0.1	CHK'D: MBN02 2021/08/26
1 PLACE	± 0.2	APPR: SDEVITT 2021/09/28
0 PLACES	±	INITIAL REVISION:
		DRWN: CFISHER01 2016/01/19
		APPR: MSHANAHAN 2016/02/09
DRAFT WHERE APPLICABLE MUST REMAIN WITHIN DIMENSIONS	THIRD ANGLE PROJECTION	DRAWING
		A2-SIZE
		SERIES
		93051

molex			
APPLI-MATE 2.5 FEMALE G.W.T. 750 VERSION 5MM PITCH			
PRODUCT CUSTOMER DRAWING			
DOCUMENT NUMBER	DOC TYPE	DOC PART	REVISION
930510001	PSD	000	E1
MATERIAL NUMBER	CUSTOMER	SHEET NUMBER	
SEE TABLE	GENERAL MARKET	2 OF 9	



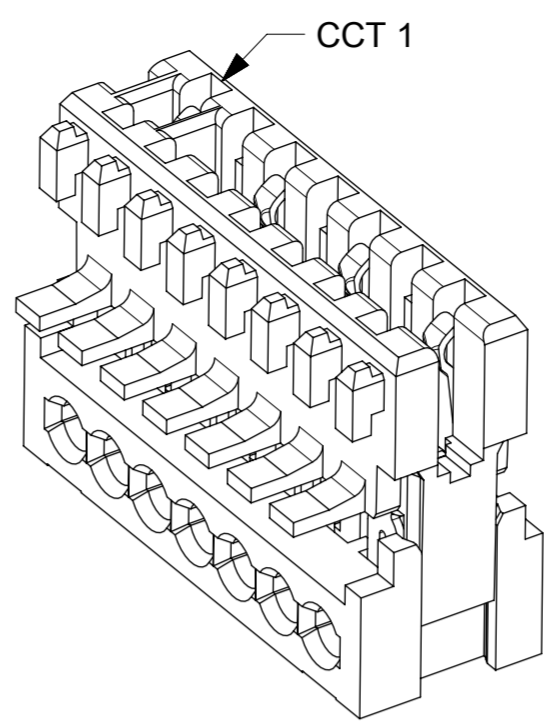
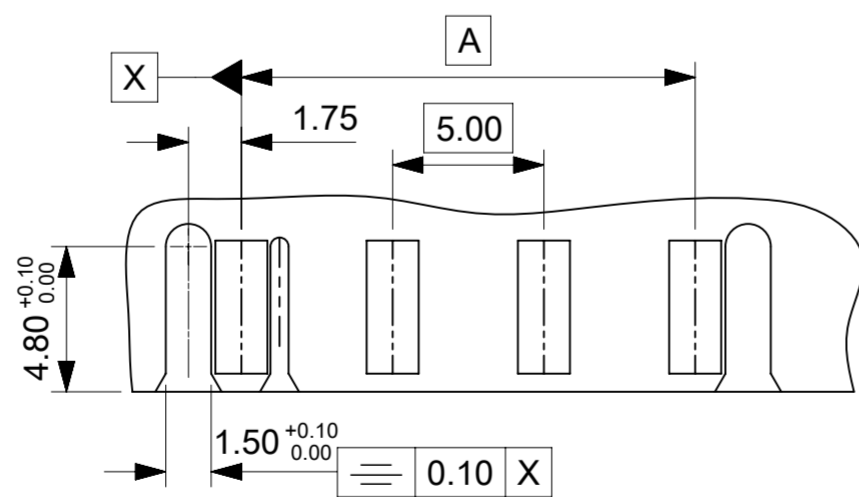
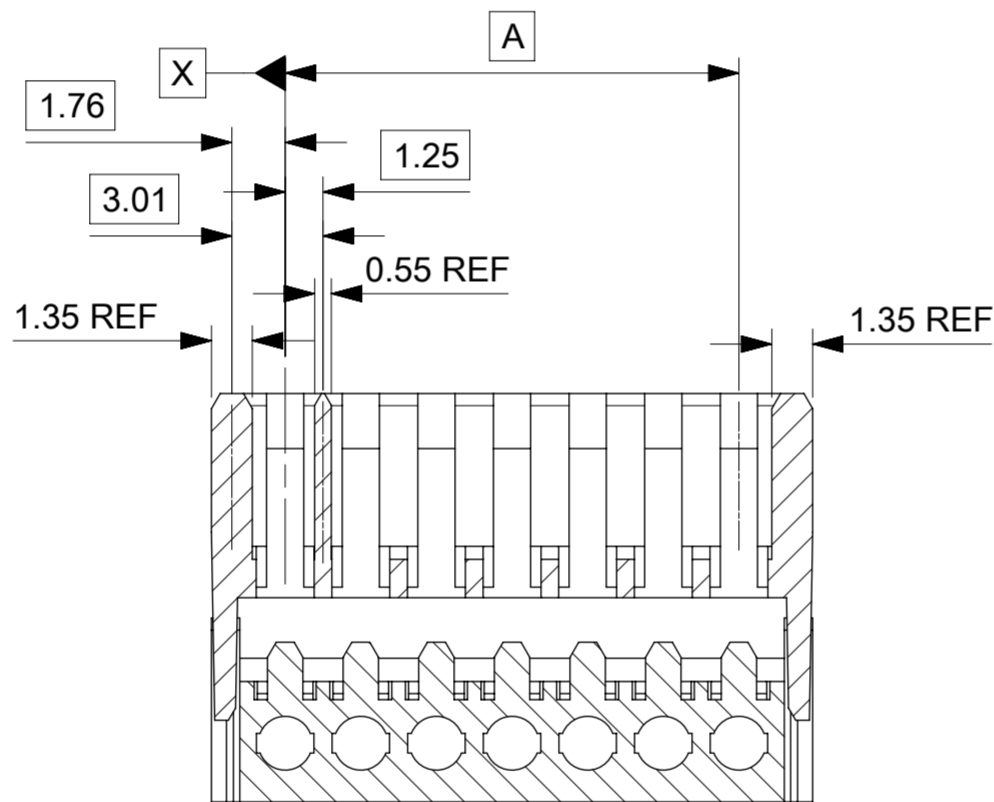
END WALL OPTION D

FIRST END WALL	LAST END WALL
CLOSED	OPEN



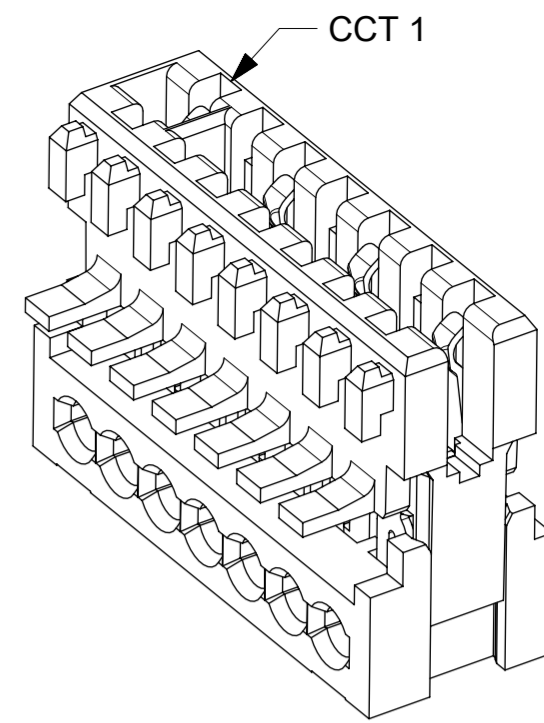
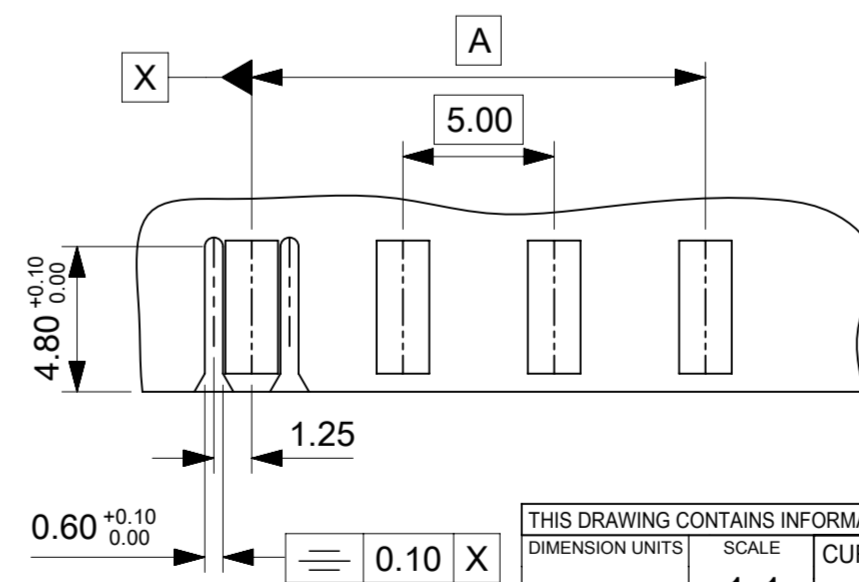
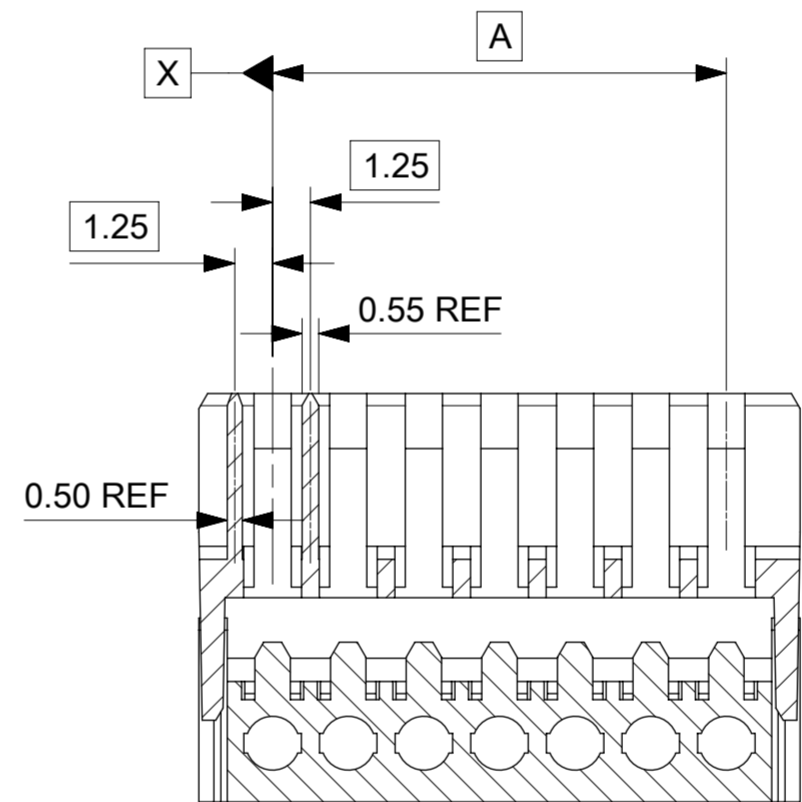
END WALL OPTION E

FIRST END WALL	LAST END WALL
CLOSED	CLOSED



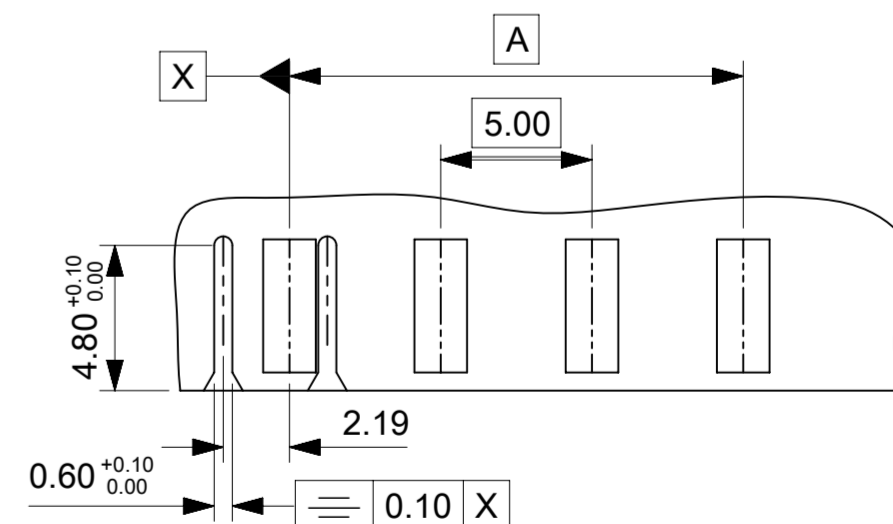
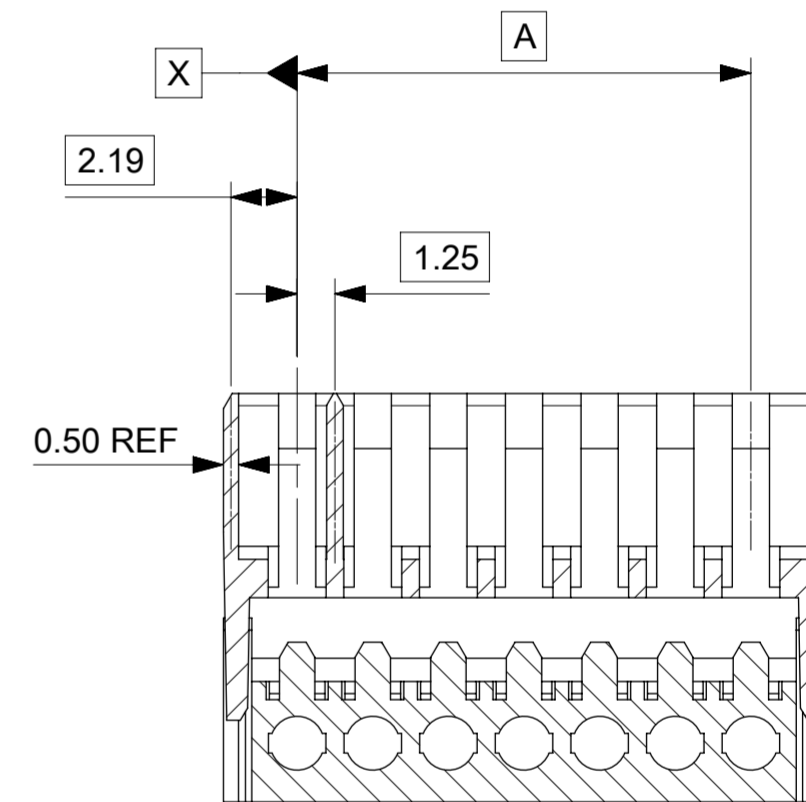
END WALL OPTION F

FIRST END WALL	LAST END WALL
NARROW	OPEN



END WALL OPTION G

FIRST END WALL	LAST END WALL
NARROW FLUSH	OPEN



THIS DRAWING CONTAINS INFORMATION THAT IS PROPRIETARY TO MOLEX ELECTRONIC TECHNOLOGIES, LLC AND SHOULD NOT BE USED WITHOUT WRITTEN PERMISSION

DIMENSION UNITS	SCALE	CURRENT REV DESC:							
mm	1:1								
GENERAL TOLERANCES (UNLESS SPECIFIED)									
ANGULAR TOL	± 0.5°	EC NO: 675456							
4 PLACES	±	DRWN: MBN02	2021/08/25						
3 PLACES	± 0.05	CHK'D: MBN02	2021/08/26						
2 PLACES	± 0.1	APPR: SDEVITT	2021/09/28						
1 PLACE	± 0.2	INITIAL REVISION:							
0 PLACES	±	DRWN: CFISHER01	2016/01/19						
		APPR: MSHANAHAN	2016/02/09						
DRAFT WHERE APPLICABLE MUST REMAIN WITHIN DIMENSIONS		THIRD ANGLE PROJECTION	DRAWING	SERIES	MATERIAL NUMBER	CUSTOMER	DOC TYPE	DOC PART	REVISION
			A2-SIZE	93051	SEE TABLE	GENERAL MARKET	PSD	000	E1
DOCUMENT STATUS		P1	RELEASE DATE	2021/09/28	05:26:24				

molex

APPLI-MATE 2.5 FEMALE
G.W.T. 750 VERSION 5MM PITCH

PRODUCT CUSTOMER DRAWING

DOCUMENT NUMBER

930510001

DOC TYPE

PSD

DOC PART

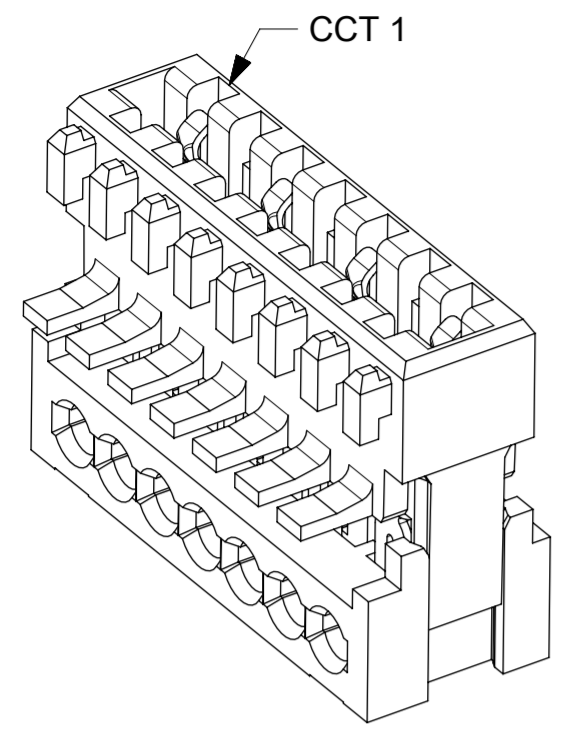
000

REVISION

E1

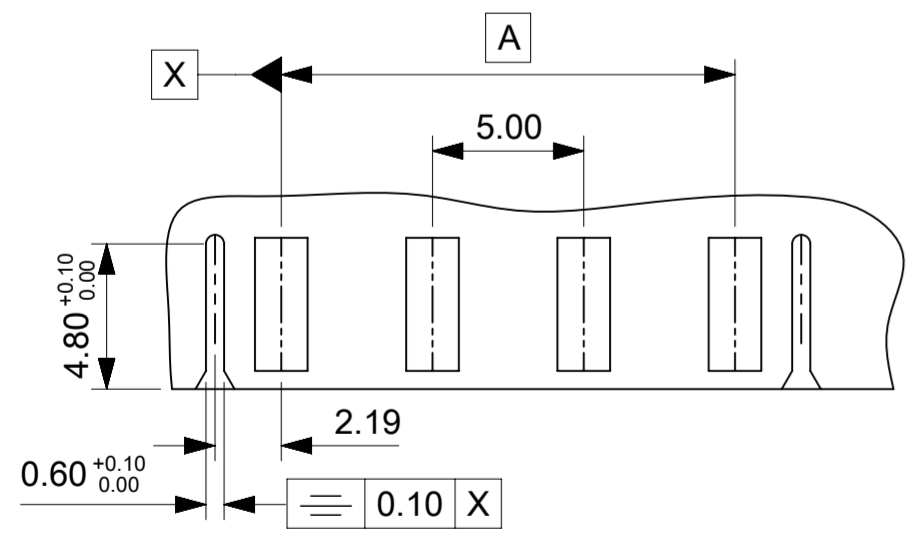
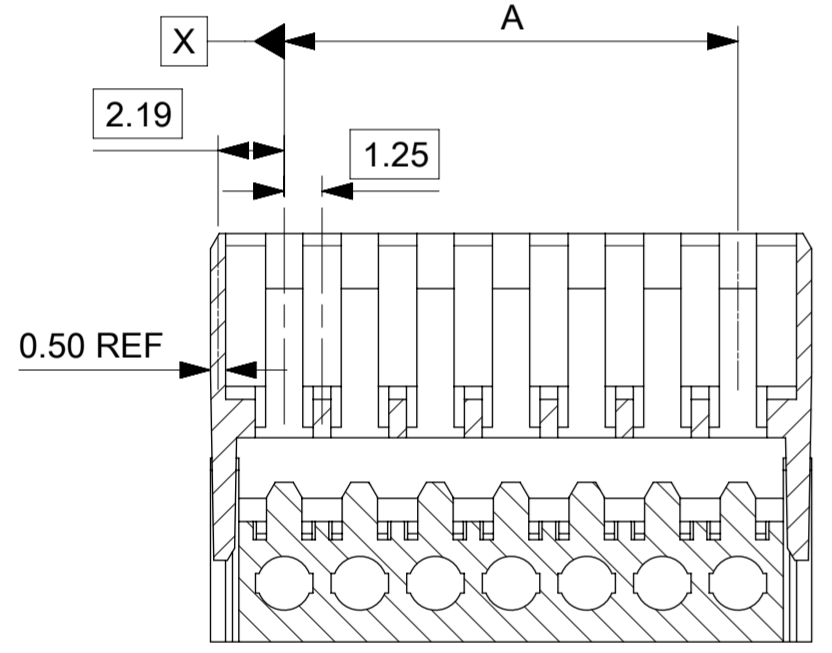
SHEET NUMBER


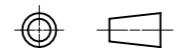
3 OF 9



END WALL OPTION H

FIRST END WALL	LAST END WALL
NARROW FLUSH	NARROW FLUSH



THIS DRAWING CONTAINS INFORMATION THAT IS PROPRIETARY TO MOLEX ELECTRONIC TECHNOLOGIES, LLC AND SHOULD NOT BE USED WITHOUT WRITTEN PERMISSION									
DIMENSION UNITS	SCALE	CURRENT REV DESC:							
mm	1:1								
GENERAL TOLERANCES (UNLESS SPECIFIED)					APPLI-MATE 2.5 FEMALE G.W.T. 750 VERSION 5MM PITCH				
ANGULAR TOL	± 0.5°	EC NO: 675456			PRODUCT CUSTOMER DRAWING				
4 PLACES	±	DRWN: MBN02			2021/08/25				
3 PLACES	± 0.05	CHK'D: MBN02			2021/08/26				
2 PLACES	± 0.1	APPR: SDEVITT			2021/09/28				
1 PLACE	± 0.2	INITIAL REVISION:			DOCUMENT NUMBER				
0 PLACES	±	DRWN: CFISHER01			930510001				
		APPR: MSHANAHAN			2016/01/19				
DRAFT WHERE APPLICABLE MUST REMAIN WITHIN DIMENSIONS		THIRD ANGLE PROJECTION	DRAWING	SERIES	MATERIAL NUMBER	CUSTOMER	DOC TYPE	DOC PART	REVISION
			A2-SIZE	93051	SEE TABLE	GENERAL MARKET	PSD	000	E1

DOCUMENT STATUS	P1	RELEASE DATE	2021/09/28	05:26:24
-----------------	----	--------------	------------	----------

2 CIRCUIT							
PART NUMBER	HOUSING USED	REMOVED POSITION KEYS	CONFIGURATION	FIRST ENDWALL	LAST ENDWALL	POLARIZING RIB BETWEEN	COLOUR STRIPE
93051-0001	93049-0003	NONE		OPEN	OPEN	NONE	RED
93051-0002	93049-0003	NONE		OPEN	OPEN	NONE	NONE
93051-0003	93049-0003	a		OPEN	OPEN	NONE	NONE
93051-0004	93049-0003	b		OPEN	OPEN	NONE	BLUE
93051-0005	93049-0003	c		OPEN	OPEN	NONE	NONE
93051-0006	93049-0003	c		OPEN	OPEN	NONE	BLACK
93051-0007	93049-0003	b d		OPEN	OPEN	NONE	BLUE
93051-0008	93049-0003	b c		OPEN	OPEN	NONE	BLUE
93051-0012	93049-0003	a b		OPEN	OPEN	NONE	NONE
93051-0013	93049-0003	b d		OPEN	OPEN	NONE	NONE
93051-0014	93049-0003	b		OPEN	OPEN	NONE	NONE
93051-0015	93049-0003	b c		OPEN	OPEN	NONE	NONE
93051-0017	93049-0003	a d		OPEN	OPEN	NONE	NONE
93051-0018	93049-0003	a c		OPEN	OPEN	NONE	NONE
93051-0019	93049-0103	a d		OPEN	OPEN	BETWEEN CCT 1&2	NONE
93051-0020	93049-0003	d		OPEN	OPEN	NONE	BLUE
93051-0021	93049-0003	c d		OPEN	OPEN	NONE	RED
93051-0024	93049-0003	a d		OPEN	OPEN	NONE	BLUE
93051-0025	93049-0003	a b		OPEN	OPEN	NONE	BLUE
93051-0026	93049-0043	c		OPEN	CLOSED	NONE	NONE
93051-0027	93049-0003	a c d		OPEN	OPEN	NONE	NONE
93051-0028	93049-0003	d		OPEN	OPEN	NONE	NONE
93051-0029	93049-0003	ALL		OPEN	OPEN	NONE	NONE
93051-0030	93049-0003	c d		OPEN	OPEN	NONE	NONE
93051-0031	93049-0003	ALL		OPEN	OPEN	NONE	BLACK
93051-0032	93049-0003	a b c		OPEN	OPEN	NONE	BLUE
93051-0033	93049-0043	a c		OPEN	CLOSED	NONE	NONE
93051-0034	93049-0003	a c d		OPEN	OPEN	NONE	VIOLET
93051-0035	93049-0003	c		OPEN	OPEN	NONE	BLUE
93051-0036	93049-0003	a		OPEN	OPEN	NONE	BLACK

2 CIRCUIT							
PART NUMBER	HOUSING USED	REMOVED POSITION KEYS	CONFIGURATION	FIRST ENDWALL	LAST ENDWALL	POLARIZING RIB BETWEEN	COLOUR STRIPE
93051-0037	93049-0003	d		OPEN	OPEN	NONE	YELLOW
93051-0038	93049-0003	b d		OPEN	OPEN	NONE	BROWN
93051-0039	93049-0003	b		OPEN	OPEN	NONE	GREEN
93051-0040	93049-0003	c d		OPEN	OPEN	NONE	BLUE
93051-0041	93049-0003	a b d		OPEN	OPEN	NONE	NONE
93051-0042	93049-0003	a c		OPEN	OPEN	NONE	GREEN
93051-0044	93049-0003	b d		OPEN	OPEN	NONE	RED
93051-0045	93049-0003	NONE		OPEN	OPEN	NONE	BLUE
93051-0046	93049-0003	b c d		OPEN	OPEN	NONE	NONE
93051-0047	93049-0163	NONE		CLOSED	OPEN	BETWEEN CCT 1&2	NONE
93051-0048	93049-0223	NONE		CLOSED	CLOSED	BETWEEN CCT 2&3	NONE
93051-0049	93049-0003	ALL		OPEN	OPEN	NONE	BLUE
93051-0050	93049-0203	NONE		OPEN	OPEN	BETWEEN CCT 2&3	NONE
93051-0051	93049-0103	b		OPEN	OPEN	BETWEEN CCT 1&2	NONE
93051-0052	93049-0103	a		OPEN	OPEN	BETWEEN CCT 1&2	NONE
93051-0053	93049-0003	NONE		OPEN	OPEN	NONE	GREEN
93051-0054	93049-0003	NONE		OPEN	OPEN	NONE	BROWN
93051-0055	93049-0003	d		OPEN	OPEN	NONE	BLACK
93051-0056	93049-0003	a c		OPEN	OPEN	NONE	RED
93051-0057	93049-0003	NONE		OPEN	OPEN	NONE	ORANGE
93051-0058	93049-0203	a		OPEN	OPEN	BETWEEN CCT 2&3	RED
93051-0059	93049-0003	NONE		OPEN	OPEN	NONE	BLACK

2CCT CONTINUED ON NEXT SHEET

NOTES

- + DENOTES TERMINAL VOIDED POSITION
⊕ DENOTES TERMINAL LOADED POSITION
| DENOTES POLARIZING RIB POSITION
- MOLEX HOUSING NO. FOR REFERENCE ONLY

THIS DRAWING CONTAINS INFORMATION THAT IS PROPRIETARY TO MOLEX ELECTRONIC TECHNOLOGIES, LLC AND SHOULD NOT BE USED WITHOUT WRITTEN PERMISSION											
DIMENSION UNITS		SCALE		CURRENT REV DESC:							
mm		1:1									
GENERAL TOLERANCES (UNLESS SPECIFIED)				<p>EC NO: 675456 DRWN: MBN02 2021/08/25 CHK'D: MBN02 2021/08/26 APPR: SDEVITT 2021/09/28</p> <p>APPLI-MATE 2.5 FEMALE G.W.T. 750 VERSION 5MM PITCH</p> <p>PRODUCT CUSTOMER DRAWING</p>							
ANGULAR TOL		± 0.5°									
4 PLACES		±									
3 PLACES		± 0.05									
2 PLACES		± 0.1		INITIAL REVISION:							
1 PLACE		± 0.2		DRWN: CFISHER01 2016/01/19							
0 PLACES		±		APPR: MSHANAHAN 2016/02/09							
DRAFT WHERE APPLICABLE MUST REMAIN WITHIN DIMENSIONS				THIRD ANGLE PROJECTION		DRAWING		SERIES		DOCUMENT NUMBER	
						A2-SIZE		93051		930510001	
						MATERIAL NUMBER		CUSTOMER		DOC TYPE DOC PART REVISION	
						SEE TABLE		GENERAL MARKET		PSD 000 E1	
										SHEET NUMBER	
										5 OF 9	

2 CIRCUIT (CONT)

PART NUMBER	HOUSING USED	REMOVED POSITION KEYS	CONFIGURATION	FIRST ENDWALL	LAST ENDWALL	POLARIZING RIB BETWEEN	COLOUR STRIPE
93051-0060	93049-0003	b c		OPEN	OPEN	NONE	BLACK
93051-0061	93049-0143	NONE		OPEN	CLOSED	BETWEEN CCT 1&2	BLUE
93051-0062	93049-0163	NONE		CLOSED	OPEN	BETWEEN CCT 1&2	RED
93051-0063	93049-0263	NONE		CLOSED	OPEN	BETWEEN CCT 2&3	RED
93051-0064	93049-0023	NONE		CLOSED	CLOSED	NONE	NONE
93051-0065	93049-0103	NONE		OPEN	OPEN	BETWEEN CCT 1&2	NONE
93051-0066	93049-0003	a b c		OPEN	OPEN	NONE	BLACK
93051-0067	93049-0003	a b		OPEN	OPEN	NONE	RED
93051-0068	93049-0003	a b c		OPEN	OPEN	NONE	NONE
93051-0069	93049-0003	c		OPEN	OPEN	NONE	RED
93051-0070	93049-0003	a b c		OPEN	OPEN	NONE	BROWN
93051-0071	93049-0003	b c d		OPEN	OPEN	NONE	BLACK
93051-0072	93049-0003	b		OPEN	OPEN	NONE	RED
93051-0073	93049-0003	NONE		OPEN	OPEN	NONE	PURPLE
93051-0074	93049-0003	a c		OPEN	OPEN	NONE	YELLOW
93051-0075	93049-0003	NONE		OPEN	OPEN	NONE	YELLOW
93051-0076	93049-0203	a d		OPEN	OPEN	BETWEEN CCT 2&3	NONE
93051-0077	93049-0003	NONE		OPEN	OPEN	NONE	YELLOW
93051-0078	93049-0063	NONE		CLOSED	OPEN	NONE	NONE
93051-0079	93049-0103	d		OPEN	OPEN	BETWEEN CCT 1&2	NONE
93051-0080	93049-0103	b d		OPEN	OPEN	BETWEEN CCT 1&2	RED
93051-0081	93049-0023	d		CLOSED	CLOSED	NONE	NONE
93051-0082	93049-0023	b c		CLOSED	CLOSED	NONE	NONE

3 CIRCUIT

PART NUMBER	HOUSING USED	REMOVED POSITION KEYS	CONFIGURATION	FIRST ENDWALL	LAST ENDWALL	POLARIZING RIB BETWEEN	COLOUR STRIPE
93051-1001	93049-0005	NONE		OPEN	OPEN	NONE	NONE
93051-1002	93049-0005	c d f		OPEN	OPEN	NONE	NONE
93051-1003	93049-0005	a d e		OPEN	OPEN	NONE	NONE
93051-1004	93049-0005	d e f		OPEN	OPEN	NONE	NONE
93051-1005	93049-0005	b c d		OPEN	OPEN	NONE	NONE
93051-1006	93049-0005	a b d		OPEN	OPEN	NONE	NONE
93051-1007	93049-0005	a d e f		OPEN	OPEN	NONE	NONE
93051-1008	93049-0005	b c e		OPEN	OPEN	NONE	NONE
93051-1009	93049-0005	a c d		OPEN	OPEN	NONE	NONE
93051-1010	93049-0005	b d e		OPEN	OPEN	NONE	BLUE
93051-1011	93049-0005	b d e		OPEN	OPEN	NONE	NONE
93051-1012	93049-0005	b c e		OPEN	OPEN	NONE	NONE
93051-1014	93049-0005	e f		OPEN	OPEN	NONE	NONE
93051-1015	93049-0005	b d		OPEN	OPEN	NONE	NONE
93051-1016	93049-0005	f		OPEN	OPEN	NONE	NONE
93051-1017	93049-0005	a f		OPEN	OPEN	NONE	NONE
93051-1018	93049-0005	c d e		OPEN	OPEN	NONE	NONE
93051-1019	93049-0005	NONE		OPEN	OPEN	NONE	BLUE
93051-1020	93049-0005	a b d e f		OPEN	OPEN	NONE	NONE
93051-1021	93049-0005	a b c f		OPEN	OPEN	NONE	NONE
93051-1022	93049-0005	NONE		OPEN	OPEN	NONE	GREEN
93051-1023	93049-0005	b c d e		OPEN	OPEN	NONE	NONE
93051-1024	93049-0005	a d f		OPEN	OPEN	NONE	RED
93051-1025	93049-0005	NONE		OPEN	OPEN	NONE	RED

3CCT CONTINUED ON NEXT SHEET

THIS DRAWING CONTAINS INFORMATION THAT IS PROPRIETARY TO MOLEX ELECTRONIC TECHNOLOGIES, LLC AND SHOULD NOT BE USED WITHOUT WRITTEN PERMISSION									
DIMENSION UNITS		SCALE		CURRENT REV DESC:					
mm		1:1							
GENERAL TOLERANCES (UNLESS SPECIFIED)									
ANGULAR TOL ± 0.5°				EC NO: 675456					
4 PLACES ±				DRWN: MBN02			2021/08/25		
3 PLACES ± 0.05				CHK'D: MBN02			2021/08/26		
2 PLACES ± 0.1				APPR: SDEVITT			2021/09/28		
1 PLACE ± 0.2				INITIAL REVISION:					
0 PLACES ±				DRWN: CFISHER01			2016/01/19		
				APPR: MSHANAHAN			2016/02/09		
DRAFT WHERE APPLICABLE MUST REMAIN WITHIN DIMENSIONS		THIRD ANGLE PROJECTION		DRAWING		SERIES		DOCUMENT NUMBER	
				A2-SIZE		93051		930510001	
				MATERIAL NUMBER		CUSTOMER		DOC TYPE DOC PART REVISION	
				SEE TABLE		GENERAL MARKET		PSD 000 E1	
								SHEET NUMBER	
								6 OF 9	

NOTES

- + DENOTES TERMINAL VOIDED POSITION
⊕ DENOTES TERMINAL LOADED POSITION
| DENOTES POLARIZING RIB POSITION
- MOLEX HOUSING NO. FOR REFERENCE ONLY

3 CIRCUIT

PART NUMBER	HOUSING USED	REMOVED POSITION KEYS	CONFIGURATION	FIRST ENDWALL	LAST ENDWALL	POLARIZING RIB BETWEEN	COLOUR STRIPE
93051-1027	93049-0005	a c d		OPEN	OPEN	NONE	RED
93051-1028	93049-0005	NONE		OPEN	OPEN	NONE	PURPLE
93051-1029	93049-0425	NONE		CLOSED	CLOSED	BETWEEN CCT 4&5	NONE
93051-1030	93049-0005	a b c		OPEN	OPEN	NONE	NONE
93051-1031	93049-0005	a		OPEN	OPEN	NONE	NONE
93051-1032	93049-0005	c		OPEN	OPEN	NONE	NONE
93051-1033	93049-0005	d		OPEN	OPEN	NONE	NONE
93051-1034	93049-0005	b c		OPEN	OPEN	NONE	NONE
93051-1035	93049-0005	b		OPEN	OPEN	NONE	NONE
93051-1036	93049-0125	NONE		CLOSED	CLOSED	BETWEEN CCT 1&2	NONE
93051-1037	93049-0025	NONE		CLOSED	CLOSED	NONE	NONE
93051-1038	93049-0005	b c d e		OPEN	OPEN	NONE	BLUE
93051-1039	93049-0243	NONE		OPEN	OPEN	BETWEEN CCT 2&3	NONE
93051-1040	93049-0005	b		OPEN	OPEN	NONE	NONE
93051-1041	93049-0005	a c		OPEN	OPEN	NONE	NONE

4CCT CONTINUED ON NEXT SHEET

NOTES

- + DENOTES TERMINAL VOIDED POSITION
⊕ DENOTES TERMINAL LOADED POSITION
| DENOTES POLARIZING RIB POSITION
- MOLEX HOUSING NO. FOR REFERENCE ONLY

THIS DRAWING CONTAINS INFORMATION THAT IS PROPRIETARY TO MOLEX ELECTRONIC TECHNOLOGIES, LLC AND SHOULD NOT BE USED WITHOUT WRITTEN PERMISSION									
DIMENSION UNITS		SCALE		CURRENT REV DESC:					
mm		1:1							
GENERAL TOLERANCES (UNLESS SPECIFIED)				EC NO: 675456				APPLI-MATE 2.5 FEMALE G.W.T. 750 VERSION 5MM PITCH	
ANGULAR TOL ± 0.5°				DRWN: MBN02 2021/08/25					
4 PLACES ±				CHK'D: MBN02 2021/08/26				PRODUCT CUSTOMER DRAWING	
3 PLACES ± 0.05				APPR: SDEVITT 2021/09/28					
2 PLACES ± 0.1				INITIAL REVISION:				DOCUMENT NUMBER 930510001	
1 PLACE ± 0.2				DRWN: CFISHER01 2016/01/19					
0 PLACES ±				APPR: MSHANAHAN 2016/02/09				DOC TYPE DOC PART REVISION PSD 000 E1	
DRAFT WHERE APPLICABLE MUST REMAIN WITHIN DIMENSIONS		THIRD ANGLE PROJECTION		DRAWING		SERIES		SHEET NUMBER	
				A2-SIZE		93051		7 OF 9	
MATERIAL NUMBER		CUSTOMER		SEE TABLE		GENERAL MARKET			

DOCUMENT STATUS	P1	RELEASE DATE	2021/09/28	05:26:24
-----------------	----	--------------	------------	----------

4 CIRCUIT

PART NUMBER	HOUSING USED	REMOVED POSITION KEYS	CONFIGURATION	FIRST ENDWALL	LAST ENDWALL	POLARIZING RIB BETWEEN	COLOUR STRIPE
93051-2001	93049-0007	NONE		OPEN	OPEN	NONE	NONE
93051-2002	93049-0007	ALL		OPEN	OPEN	NONE	NONE
93051-2003	93049-0007	b c d f		OPEN	OPEN	NONE	NONE
93051-2004	93049-0007	d e f g		OPEN	OPEN	NONE	NONE
93051-2005	93049-0007	a b e f h		OPEN	OPEN	NONE	NONE
93051-2006	93049-0007	d e f g h		OPEN	OPEN	NONE	NONE
93051-2007	93049-0007	c d		OPEN	OPEN	NONE	NONE
93051-2008	93049-0007	b c d e		OPEN	OPEN	NONE	NONE
93051-2009	93049-0007	a b d e g		OPEN	OPEN	NONE	NONE
93051-2010	93049-0007	b e		OPEN	OPEN	NONE	NONE
93051-2011	93049-0007	a b d e g		OPEN	OPEN	NONE	RED
93051-2012	93049-0007	d e f g		OPEN	OPEN	NONE	NONE
93051-2013	93049-0007	a b e f h		OPEN	OPEN	NONE	NONE
93051-2014	VOID-Duplicate of 93051-2003						
93051-2015	93049-0007	NONE		OPEN	OPEN	NONE	BLUE
93051-2016	93049-0007	a c e g		OPEN	OPEN	NONE	NONE
93051-2017	93049-0007	a b d f g h		OPEN	OPEN	NONE	NONE
93051-2018	93049-0007	c d e f g		OPEN	OPEN	NONE	NONE
93051-2019	93049-0007	f g h		OPEN	OPEN	NONE	NONE
93051-2020	93049-0007	a c d f g		OPEN	OPEN	NONE	NONE
93051-2021	93049-0007	a b c d e f		OPEN	OPEN	NONE	NONE
93051-2022	93049-0007	a d g		OPEN	OPEN	NONE	BROWN
93051-2023	93049-0007	a b f g h		OPEN	OPEN	NONE	BROWN
93051-2024	93049-0007	NONE		OPEN	OPEN	NONE	GREEN
93051-2025	93049-0007	d f h		OPEN	OPEN	NONE	NONE
93051-2026	93049-0007	c e f g h		OPEN	OPEN	NONE	NONE
93051-2027	93049-0007	a d g		OPEN	OPEN	NONE	NONE
93051-2028	93049-0007	a b f g h		OPEN	OPEN	NONE	NONE
93051-2029	93049-0007	b d e		OPEN	OPEN	NONE	NONE
93051-2030	93049-0007	a b c d g		OPEN	OPEN	NONE	NONE

4 CIRCUIT

PART NUMBER	HOUSING USED	REMOVED POSITION KEYS	CONFIGURATION	FIRST ENDWALL	LAST ENDWALL	POLARIZING RIB BETWEEN	COLOUR STRIPE
93051-2031	93049-0327	NONE		CLOSED	CLOSED	BETWEEN CCT 3&4	NONE
93051-2032	93049-0407	NONE		OPEN	OPEN	BETWEEN CCT 4&5	NONE
93051-2033	93049-0307	NONE		OPEN	OPEN	BETWEEN CCT 3&4	NONE

5 CIRCUIT

PART NUMBER	HOUSING USED	REMOVED POSITION KEYS	CONFIGURATION	FIRST ENDWALL	LAST ENDWALL	POLARIZING RIB BETWEEN	COLOUR STRIPE
93051-3001	93049-0009	NONE		OPEN	OPEN	NONE	NONE
93051-3002	93049-0009	c e f h		OPEN	OPEN	NONE	NONE
93051-3003	93049-0009	b d f g i		OPEN	OPEN	NONE	NONE
93051-3004	93049-0009	c e g h		OPEN	OPEN	NONE	NONE
93051-3005	93049-0009	a c		OPEN	OPEN	NONE	NONE
93051-3006	93049-0009	NONE		OPEN	OPEN	NONE	RED
93051-3007	93049-0009	b d f h j		OPEN	OPEN	NONE	BLACK
93051-3008	93049-0009	NONE		OPEN	OPEN	NONE	BLACK
93051-3009	93049-0009	b d e f h j		OPEN	OPEN	NONE	BLACK
93051-3010	93049-0009	b c e g h		OPEN	OPEN	NONE	NONE
93051-3011	93049-0069	NONE		CLOSED	OPEN	NONE	NONE
93051-3012	93049-0009	a b		OPEN	OPEN	NONE	NONE
93051-3013	93049-0109	NONE		OPEN	OPEN	BETWEEN CCT 1&2	NONE
93051-3014	93049-0009	b c d e f g i j		OPEN	OPEN	NONE	NONE

NOTES

- + DENOTES TERMINAL VOIDED POSITION
⊕ DENOTES TERMINAL LOADED POSITION
| DENOTES POLARIZING RIB POSITION
- MOLEX HOUSING NO. FOR REFERENCE ONLY

THIS DRAWING CONTAINS INFORMATION THAT IS PROPRIETARY TO MOLEX ELECTRONIC TECHNOLOGIES, LLC AND SHOULD NOT BE USED WITHOUT WRITTEN PERMISSION													
DIMENSION UNITS		SCALE		CURRENT REV DESC:									
mm		1:1											
GENERAL TOLERANCES (UNLESS SPECIFIED)				<p>APPLI-MATE 2.5 FEMALE G.W.T. 750 VERSION 5MM PITCH</p> <p>PRODUCT CUSTOMER DRAWING</p> <p>DOCUMENT NUMBER: 930510001 DOC TYPE: PSD DOC PART: 000 REVISION: E1</p>									
ANGULAR TOL		± 0.5°								EC NO: 675456		2021/08/25	
4 PLACES		±								DRWN: MBN02		2021/08/26	
3 PLACES		± 0.05								CHK'D: MBN02		2021/09/28	
2 PLACES		± 0.1								APPR: SDEVITT			
1 PLACE		± 0.2		INITIAL REVISION:									
0 PLACES		±		DRWN: CFISHER01		2016/01/19							
DRAFT WHERE APPLICABLE MUST REMAIN WITHIN DIMENSIONS		THIRD ANGLE PROJECTION		DRAWING		SERIES		MATERIAL NUMBER					
				A2-SIZE		93051		SEE TABLE					
				CUSTOMER		GENERAL MARKET		SHEET NUMBER					
								8 OF 9					

6 CIRCUIT							
PART NUMBER	HOUSING USED	REMOVED POSITION KEYS	CONFIGURATION	FIRST ENDWALL	LAST ENDWALL	POLARIZING RIB BETWEEN	COLOUR STRIPE
93051-4001	93049-0011	NONE		OPEN	OPEN	NONE	NONE
93051-4002	93049-0011	defghi		OPEN	OPEN	NONE	NONE
93051-4003	93049-0011	cdehij		OPEN	OPEN	NONE	NONE
93051-4004	93049-0011	abefghkl		OPEN	OPEN	NONE	NONE
93051-4005	93049-0011	abefhik		OPEN	OPEN	NONE	NONE
93051-4006	93049-0011	bcfgjk		OPEN	OPEN	NONE	NONE
93051-4007	93049-0011	defghil		OPEN	OPEN	NONE	NONE
93051-4008	93049-0011	NONE		OPEN	OPEN	NONE	BLUE
93051-4009	93049-0011	abcdefijkl		OPEN	OPEN	NONE	NONE
93051-4010	93049-0011	NONE		OPEN	OPEN	NONE	GREEN
93051-4011	93049-0011	cdfhij		OPEN	OPEN	NONE	NONE
93051-4012	93049-0011	abcdgijkl		OPEN	OPEN	NONE	NONE
93051-4013	93049-0011	NONE		OPEN	OPEN	NONE	BLACK
93051-4014	93049-0011	bdefhj		OPEN	OPEN	NONE	BLACK
93051-4015	93049-0011	cdefghl		OPEN	OPEN	NONE	NONE
93051-4016	93049-0011	cdefhjk		OPEN	OPEN	NONE	NONE
93051-4017	93049-0531	NONE		CLOSED	CLOSED	BETWEEN CCT 5&6	NONE
93051-4018	93049-0031	NONE		CLOSED	CLOSED	NONE	NONE

7 CIRCUIT							
PART NUMBER	HOUSING USED	REMOVED POSITION KEYS	CONFIGURATION	FIRST ENDWALL	LAST ENDWALL	POLARIZING RIB BETWEEN	COLOUR STRIPE
93051-5001	93049-0013	NONE		OPEN	OPEN	NONE	NONE
93051-5002	93049-0013	cdghijk		OPEN	OPEN	NONE	NONE
93051-5003	93049-0013	acdfg		OPEN	OPEN	NONE	NONE
93051-5004	93049-0033	NONE		CLOSED	CLOSED	NONE	NONE
93051-5005	93049-0013	NONE		OPEN	OPEN	NONE	ORANGE

8 CIRCUIT							
PART NUMBER	HOUSING USED	REMOVED POSITION KEYS	CONFIGURATION	FIRST ENDWALL	LAST ENDWALL	POLARIZING RIB BETWEEN	COLOUR STRIPE
93051-5501	93049-0015	NONE		OPEN	OPEN	NONE	NONE
93051-5502	93049-0215	NONE		OPEN	OPEN	BETWEEN CCT 2&3	NONE

9 CIRCUIT							
PART NUMBER	HOUSING USED	REMOVED POSITION KEYS	CONFIGURATION	FIRST ENDWALL	LAST ENDWALL	POLARIZING RIB BETWEEN	COLOUR STRIPE
93051-6001	93049-0017	NONE		OPEN	OPEN	NONE	NONE
93051-6002	93049-0017	bcddefgij		OPEN	OPEN	NONE	NONE

10 CIRCUIT							
PART NUMBER	HOUSING USED	REMOVED POSITION KEYS	CONFIGURATION	FIRST ENDWALL	LAST ENDWALL	POLARIZING RIB BETWEEN	COLOUR STRIPE
93051-6501	93049-0019	NONE		OPEN	OPEN	NONE	NONE
93051-6502	93049-9917	NONE		OPEN	OPEN	17 & 18	NONE (E1)
93051-6503	93049-0819	NONE		OPEN	OPEN	8 & 9	NONE (E1)

NOTES

- + DENOTES TERMINAL VOIDED POSITION
⊕ DENOTES TERMINAL LOADED POSITION
| DENOTES POLARIZING RIB POSITION
- MOLEX HOUSING NO. FOR REFERENCE ONLY

THIS DRAWING CONTAINS INFORMATION THAT IS PROPRIETARY TO MOLEX ELECTRONIC TECHNOLOGIES, LLC AND SHOULD NOT BE USED WITHOUT WRITTEN PERMISSION

DIMENSION UNITS	SCALE	CURRENT REV DESC:	molex			
mm	1:1					
GENERAL TOLERANCES (UNLESS SPECIFIED)			APPLI-MATE 2.5 FEMALE G.W.T. 750 VERSION 5MM PITCH			
ANGULAR TOL	± 0.5°	EC NO: 675456	PRODUCT CUSTOMER DRAWING			
4 PLACES	±	DRWN: MBN02 2021/08/25	DOCUMENT NUMBER			
3 PLACES	± 0.05	CHK'D: MBN02 2021/08/26	930510001			
2 PLACES	± 0.1	APPR: SDEVITT 2021/09/28	DOC TYPE DOC PART REVISION			
1 PLACE	± 0.2	INITIAL REVISION:	PSD 000 E1			
0 PLACES	±	DRWN: CFISHER01 2016/01/19	MATERIAL NUMBER			
		APPR: MSHANAHAN 2016/02/09	CUSTOMER			
DRAFT WHERE APPLICABLE MUST REMAIN WITHIN DIMENSIONS	THIRD ANGLE PROJECTION	DRAWING	SERIES	SHEET NUMBER		
		A2-SIZE	93051	SEE TABLE		9 OF 9
				GENERAL MARKET		