

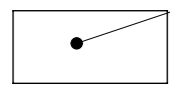
**TABLE 1**

MOLEX P/N	ENG. NO.	CABLE LENGTH (mm)	LED
1202470046	BEB6030-FBW-05	5000	NO
1202470047	BEB6030-FBW-10	10000	NO
1202470048	BEB6030-FBW-15	15000	NO
1202470049	BEB603P-FBW-05	5000	YES
1202470050	BEB603P-FBW-10	10000	YES
1202470051	BEB603P-FBW-15	15000	YES

**TABLE 2**

ITEM	COMPONENT	MATERIAL	FINISH
1	INSERT	POLYESTER	BLACK
2	CONTACT	COPPER ALLOY	GOLD OVER NICKEL
3	O-RING	VITON	RED
4	RECEPTACLE SHELL	BRASS	NICKEL PLATED
5	HOUSING	PBT	BLACK
6	CABLE	TPU	BLACK
7	LABEL	ABS	WHITE
8	LABEL ADHESIVE	PE	WHITE
9	CABLE PLATE	PBT	BLACK
10	LED	NO LED = PA WITH LED = PA	BLACK TRANSPARENT
11	RESIN	EPOXY	TRANSPARENT
12	BLANKING PLUG	PA6	BLACK

SCALE 2:1

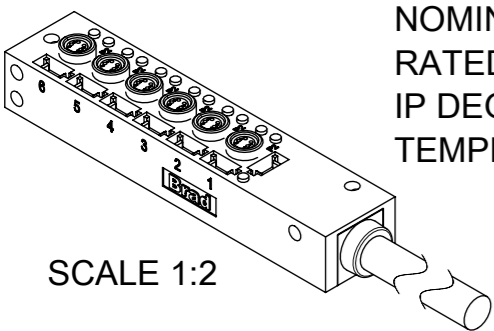


LABEL

7x packed in a bag.

**GENERAL CHARACTERISTICS:**

NOMINAL VOLTAGE: 24 V DC  
 RATED CURRENT: 2 A PER PORT / 6 A MAX: TOTAL  
 IP DEGREE OF PROTECTION: IP 67  
 TEMPERATURE RANGE: -25°C to + 85°C



SCALE 1:2

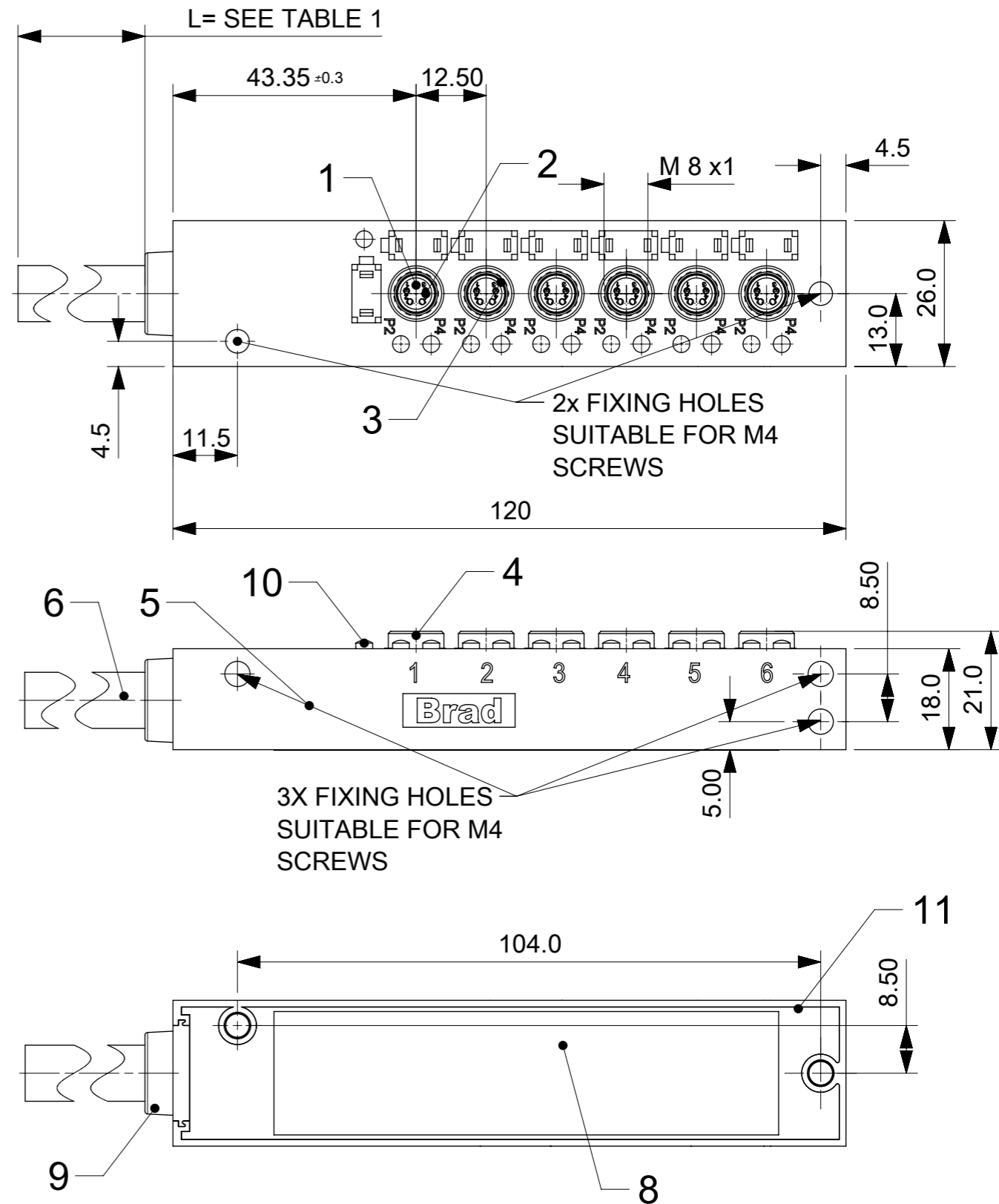
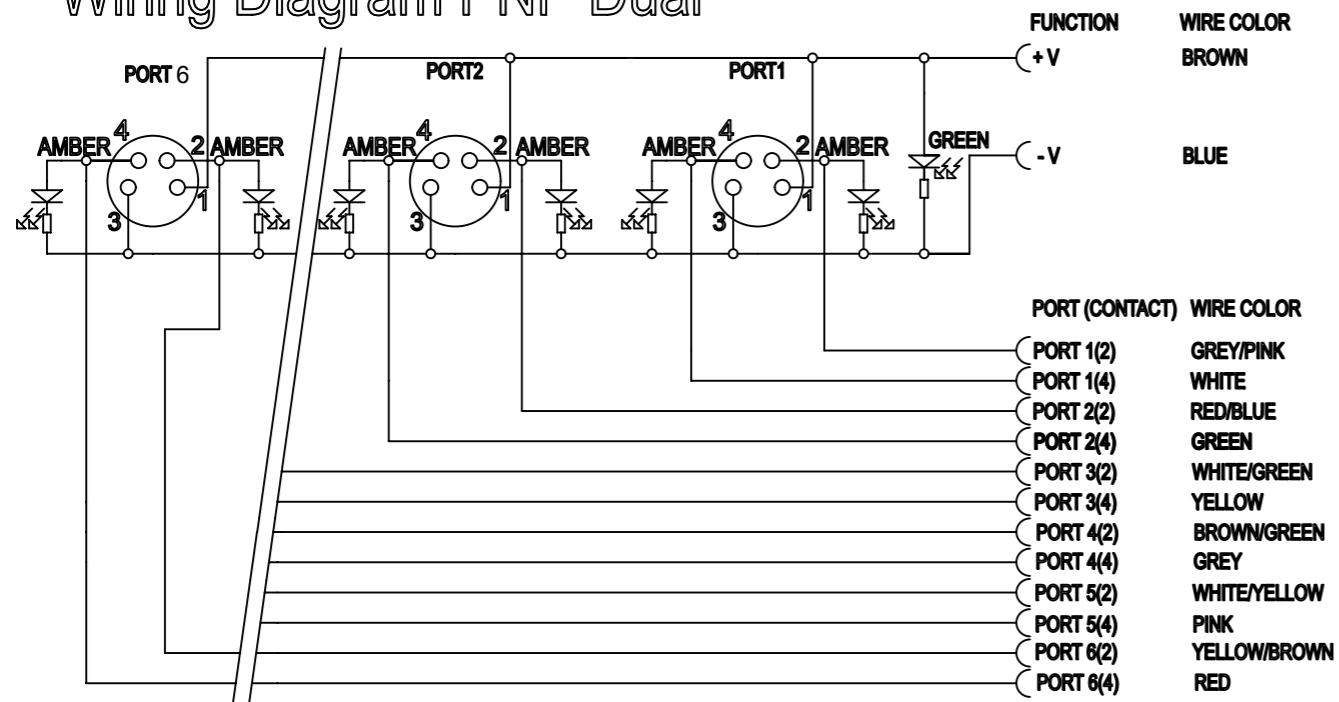


TABLE 2

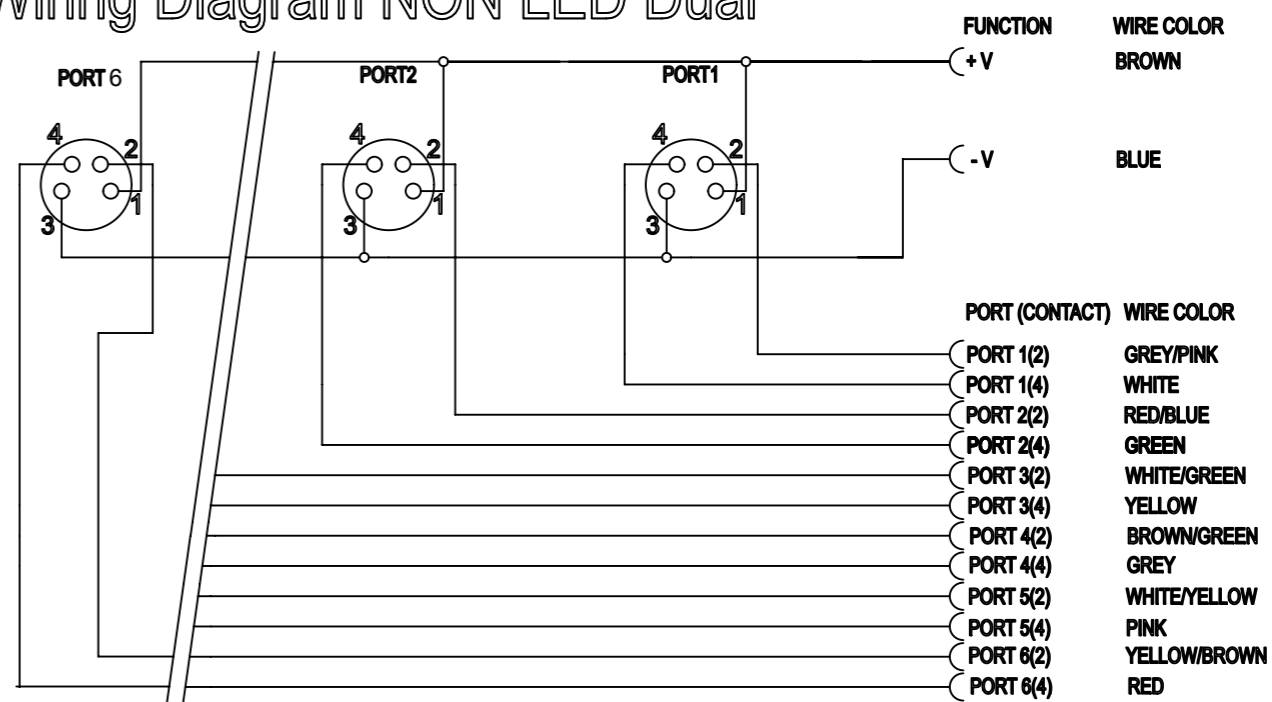
CABLE LENGTH TOLERANCES	LENGTH	TOLERANCE
0m-1m	+40 mm	
>1m-5m	+60 mm	
>5m-10m	+80 mm	
>10m-20m	+140 mm	
>20m-30m	+160 mm	
>30m	+1% length	

FUNCTIONAL SYMBOLS	THIS DRAWING CONTAINS INFORMATION THAT IS PROPRIETARY TO MOLEX ELECTRONIC TECHNOLOGIES, LLC AND SHOULD NOT BE USED WITHOUT WRITTEN PERMISSION		CURRENT REV DESC:	
$\nabla_A = 0$	mm	SCALE 1:1	EC NO: 641229	
$\nabla_E = 0$	GENERAL TOLERANCES (UNLESS SPECIFIED)		DRWN: MDHARMANTI	2020/07/09
$\nabla_F = 0$	ANGULAR TOL ± °		CHK'D: RSILLER	2020/07/10
DIVISIONAL SYMBOLS	4 PLACES ±		APPR: RSILLER	2020/07/10
	3 PLACES ±		INITIAL REVISION:	
	2 PLACES ± 0.2		DRWN: ULETTENMEIER	2015/06/15
	1 PLACE ± 0.3		APPR: RSILLER	2015/07/03
	0 PLACES ± 0.5		THIRD ANGLE PROJECTION	
DRAFT WHERE APPLICABLE MUST REMAIN WITHIN DIMENSIONS		DRAWING A3-SIZE		SERIES 120247
		MATERIAL NUMBER SEE TABLE 1		CUSTOMER GENERAL MARKET
		DOCUMENT NUMBER 1202470046		DOC TYPE PSD
		DOC PART 000		REVISION B2
		SHEET NUMBER 1 OF 2		

# Wiring Diagram PNP Dual



# Wiring Diagram NON LED Dual



<b>FUNCTIONAL SYMBOLS</b> $\nabla_A = 0$ $\nabla_E = 0$ $\nabla_P = 0$	THIS DRAWING CONTAINS INFORMATION THAT IS PROPRIETARY TO MOLEX ELECTRONIC TECHNOLOGIES, LLC AND SHOULD NOT BE USED WITHOUT WRITTEN PERMISSION DIMENSION UNITS: mm SCALE: 1:1 GENERAL TOLERANCES (UNLESS SPECIFIED) ANGULAR TOL ± ° 4 PLACES ± 3 PLACES ± 2 PLACES ± 0.2 1 PLACE ± 0.3 0 PLACES ± 0.5	CURRENT REV DESC: EC NO: 641229 DRWN: MDHARMANTI 2020/07/09 CHK'D: RSILLER 2020/07/10 APPR: RSILLER 2020/07/10	 MPIS M8 PNP NOS 4P 6PT AC FE STR BK 5M DUAL		
	<b>DIVISIONAL SYMBOLS</b>	INITIAL REVISION: DRWN: ULETTENMEIER 2015/06/15 APPR: RSILLER 2015/07/03			
DRAFT WHERE APPLICABLE MUST REMAIN WITHIN DIMENSIONS		THIRD ANGLE PROJECTION	DRAWING: A3-SIZE	SERIES: 120247	MATERIAL NUMBER: SEE TABLE 1 CUSTOMER: GENERAL MARKET SHEET NUMBER: 2 OF 2