

**Ratings**

Voltage: 600 V  
 Temperature: -40~105 °C  
 Flammability: FT2

**Conductor**

Conductor count: 7  
 Gauge: 30 AWG 0.05 mm<sup>2</sup>  
 Material: tinned copper strands  
 Strand size:  $\phi 0.1 \times 7$   
 Resistance at 20 °C: 381  $\Omega$  /km max

**Insulator**

Material: mPPE  
 Color: red, black, white, yellow, blue, green, orange  
 Diameter:  $\phi 0.8 \pm 0.08$  mm  
 Average thickness: 0.23 mm  
 Minimum thickness: 0.18 mm  
 Resistance at 20 °C: 100 M $\Omega$  /km min

**Shield**

Type: foil  
 Material: aluminum mylar  
 Coverage: 100%

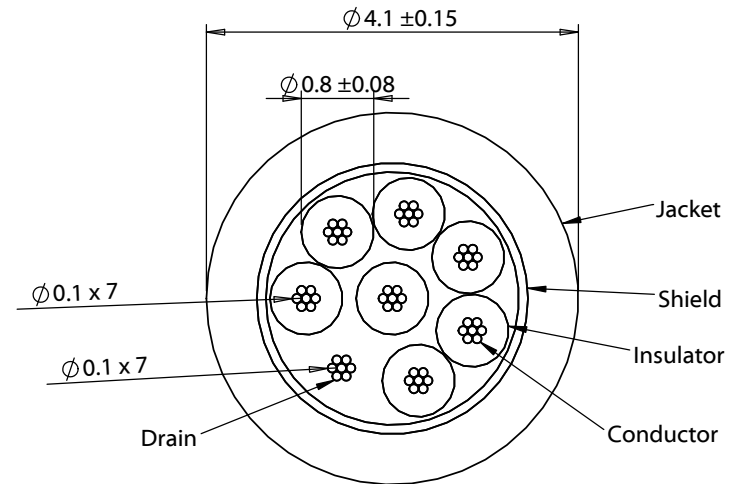
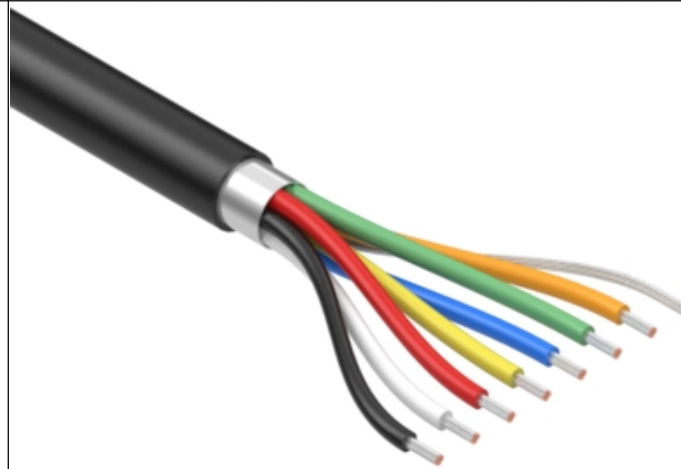
**Outer jacket**

Material: mPPE, 85A  
 Color: black  
 Diameter:  $\phi 4.1 \pm 0.15$  mm  
 Average thickness: 0.8 mm  
 Minimum thickness: 0.56 mm

**Wire marking:** E339579 UL AWM STYLE 21509 30 AWG 105°C 600V --- cUL AWM I A 105°C 600V FT2 TENSILITY

**Bend radius**

Minimum: 6 times diameter (24.6 mm)



Revision:	Date:	Description:	Prepared:	Notes:	<h1>TENSILITY</h1> <p>tel 1.541.323.3228 800 877.670.7118                  fax 1.541.323.4202 web tensility.com</p>
A	4/20/2020	Initial release	AW <small>Digitally signed by AW                  Date: 2020.04.21                  13:35:56 -07'00'</small>	RoHS compliant	
			Verified:	Phthalate and halogen free	Size:    Part number: A        30-01494
			JC <small>Digitally signed by JC                  Date: 2020.04.22                  10:09:14 -07'00'</small>	Description:	
			Dimensions are in millimeters. Tolerances: X: $\pm 0.5$ mm X.X: $\pm 0.3$ mm X.XX: $\pm 0.05$ mm	Wire, 7C TS, 30 AWG, 21509, 600V, 105C, 4.1 mm, shielded, FT2, mPPE	Scale: 12:1
					Sheet 1 of 1

5

4

3

2

1