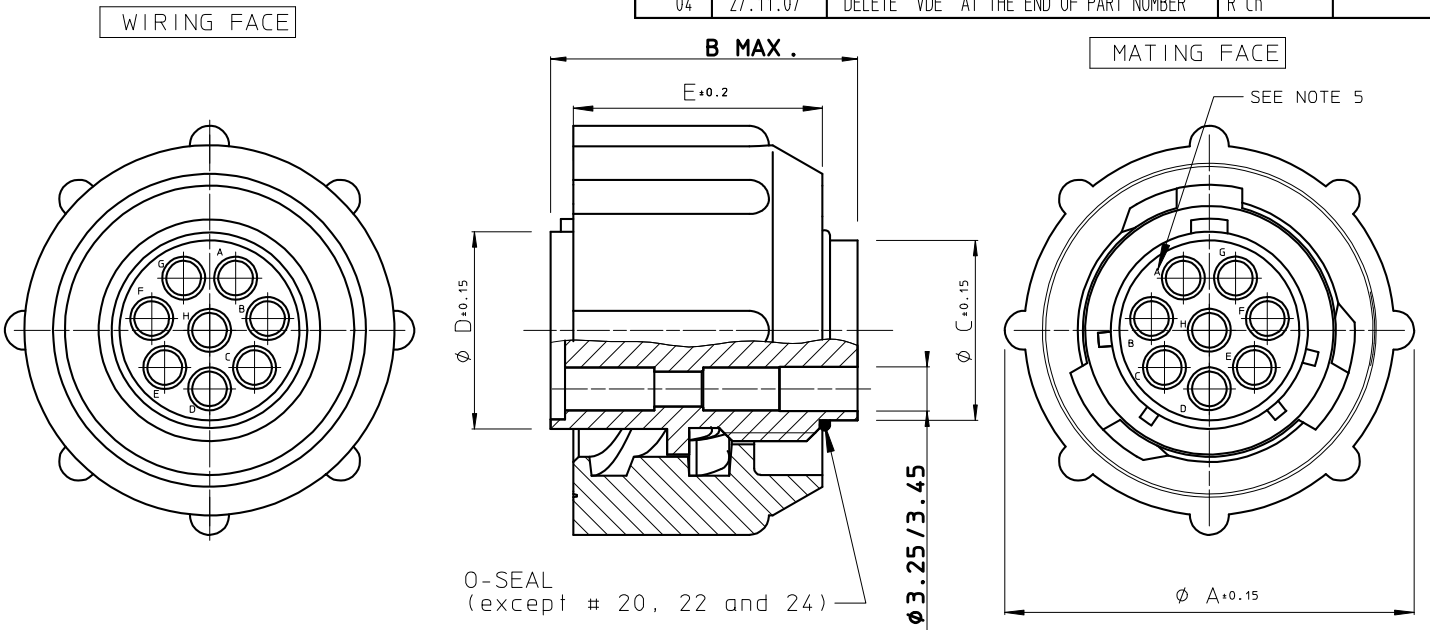


DIT IS ONZE EIGENDOM EN MAG NOCH NAGEMAAKT, HERDRUKT, OVERGEMAAKT AAN DERDEN, NOCH VOOR FABRIKATIE GEBRUIKT WORDEN, ZONDER ONZE SCHRIFTELIJKE TOELATING. BIJ NIET GEBRUIK IS DE TERUGGANG VERPLICHT.

THIS IS OUR EXCLUSIVE PROPERTY. IT IS NOT TO BE COPIED, REPRINTED OR DISCLOSED TO A THIRD PARTY, NOR USED FOR MANUFACTURING WITHOUT OUR WRITTEN CONSENT. AND HAS TO BE RETURNED TO US IN CASE OF NO USAGE

BS, A , 201766 , 004 , 04

REV.	DATE	DESCRIPTION	BY	C'K'D'
00	24.10.96	UTP6103SVDE AND UTP6187SVDEU ADDED	S.V.D.	
01	18.04.97	NOTE 5 ADDED	S.V.D.	
03	08.03.02	BEC 9.3573	N.L.	
04	27.11.07	DELETE "VDE" AT THE END OF PART NUMBER	R Ch	



CAT. NUMBER	Ø A+0.15	B MAX.	Ø C+0.15	Ø D+0.15	E+0.2
UTP6103S	26.7	26.8	10.9	12.2	19.1
UTP6104S	26.7	23.7	10.9	12.2	19.1
UTP6125S	31.4	23.7	13.8	15.1	19.1
UTP6128S	31.4	23.7	13.8	15.1	19.1
UTP61412S	34.5	23.7	17.0	18.3	19.1
UTP61619S	37.8	23.7	19.9	21.5	19.1
UTP6187S	40.8	29.0	22.4	24.0	19.1
UTP61823S	40.8	23.7	22.4	24.0	19.1
UTP62028S	43.9	24.9	25.6	27.2	19.1
UTP62235S	47.0	24.9	28.5	30.4	19.1
UTP62448S	50.1	26.2	31.7	33.5	19.1

MATERIAL

UTP6128S AS SHOWN

- BODY : GLASS-FILLED POLYESTER UL94-V0; COLOUR : BLACK
- BAYONET RING : GLASS-FILLED POLYESTER UL94-V0; COLOUR : BLACK
- COUPLING SPRING : SPRING STEEL
- O-SEAL: PERBUNAN

PERFORMANCE CHARACTERISTICS

- OPERATING TEMPERATURE : -25 °C TO +125 °C.
- INSULATION RESISTANCE : 5000 MOhm MIN.
- TEST POTENTIAL : 2000 V EFF.

NOTES

- 1 CONNECTOR ACCEPTS Nr 16 STRIP FORMED SOCKET, MACHINED SOCKET AND SUBMINIATURE COAXIAL PIN AND SOCKET CONTACTS.
- 2 CONTACTS TO BE ORDERED SEPARATELY : REFER TO TRIM - TRIO CATALOG.
- 3.FOR OTHER INSERT ARRANGEMENTS SEE BS.C ,201458,000
- 4.MATING PART : UTP0----P OR UTP1----P
- 5.THE CAVITY MARKING OF ALL SIZES IS WITH LETTERS, EXCEPT FOR THE ITEMS UTP6103S AND UTP7187S. THEY HAVE A NUMBERING.

GEN. ST.	01	02	03	04	05	06	07	08	0D	50	60	70	80	90																	
INT. ST.	10	11	12	13	14	18	20	31	32	33	34	38	39	40	42	43	44	45	46	48	56	70	72	73	75	76	81	82	83	84	88

1DEC ±0,2 2DEC ±0,1 ANGLES ±1° HOEKEN	APPR.	DATE	SIGN.	UTP FEMALE PLUG	
WE RESERVE THE RIGHT TO CHANGE DIMENSIONS OR REQUIREMENTS WITHOUT PRIOR NOTICE.	DRAFT	19-04-94	J.GOOSENS	CAT. No. UTP6----S	
ALL DIMENSIONS IN MM	CHECKED			SOURIAU Route Nationale 23 72470 CHAMPAGNE	SCALE
ALLE AFMETINGEN IN MM	PR. ENG. MGR.				1.7:1
	PR. MGT. MGR.			REFERENCES / REFERENTIES	
				BS, A , 201766 , 004 , 04 DRAWING NR. CUSTOMER DRAWING	