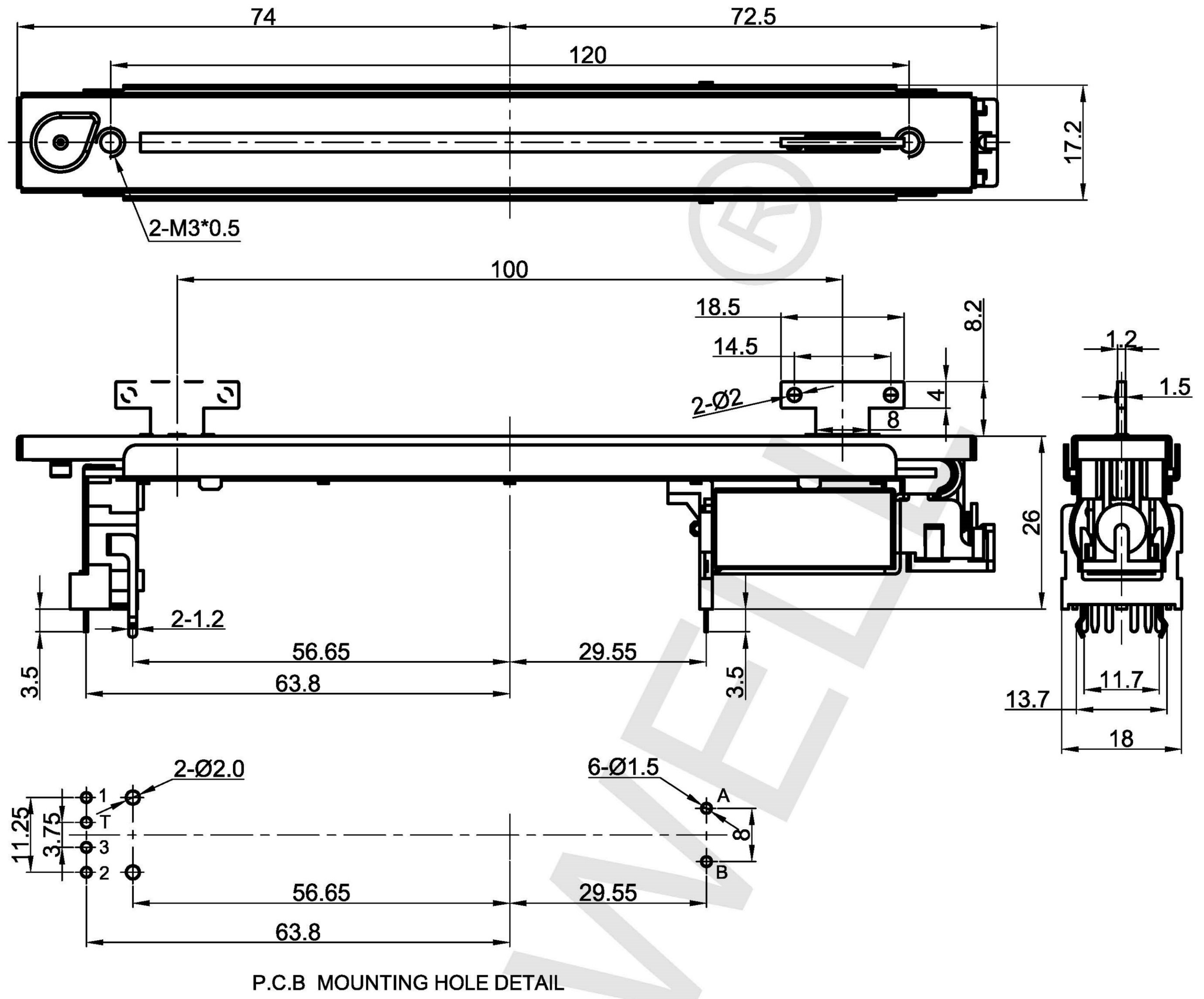
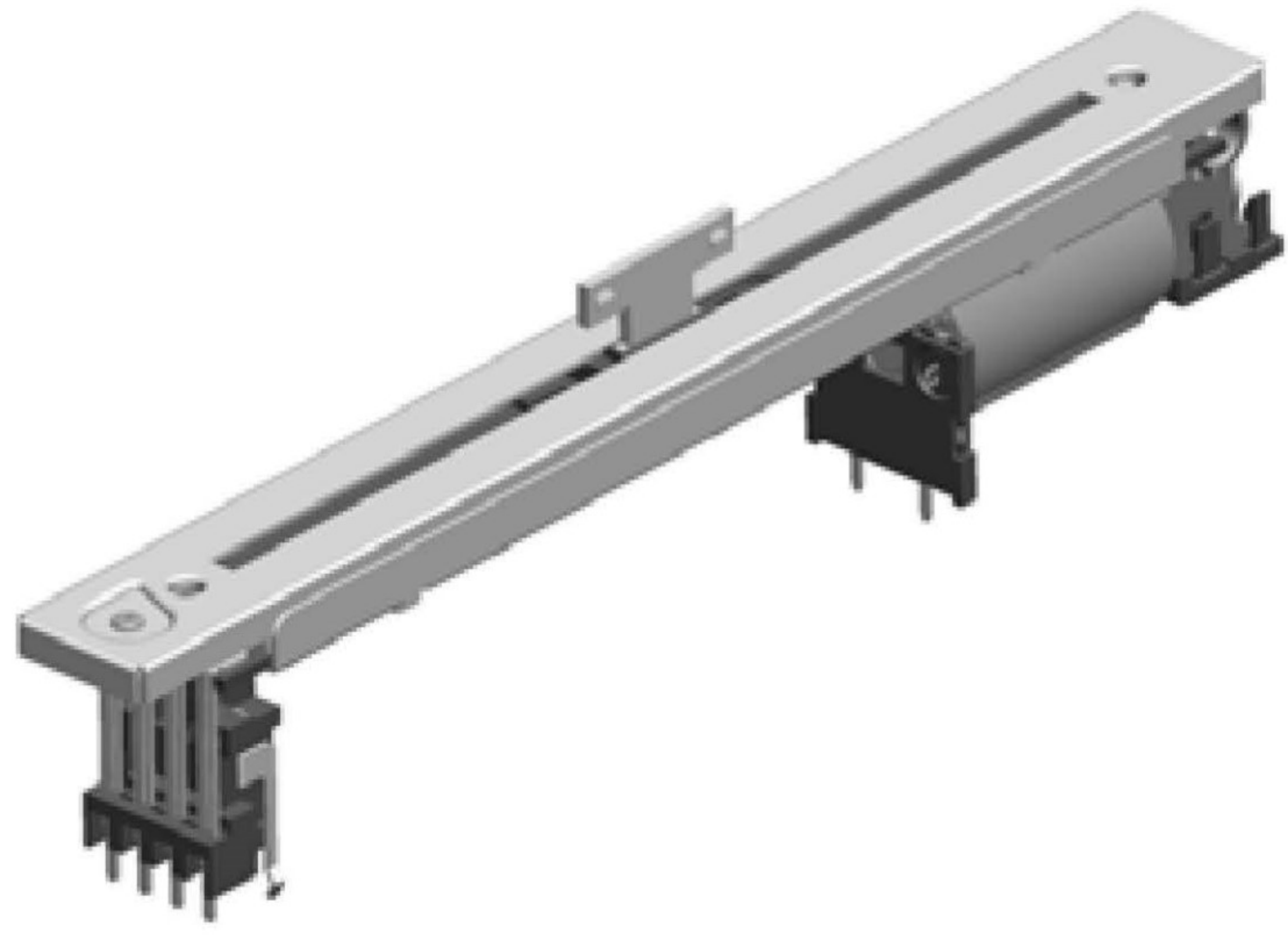
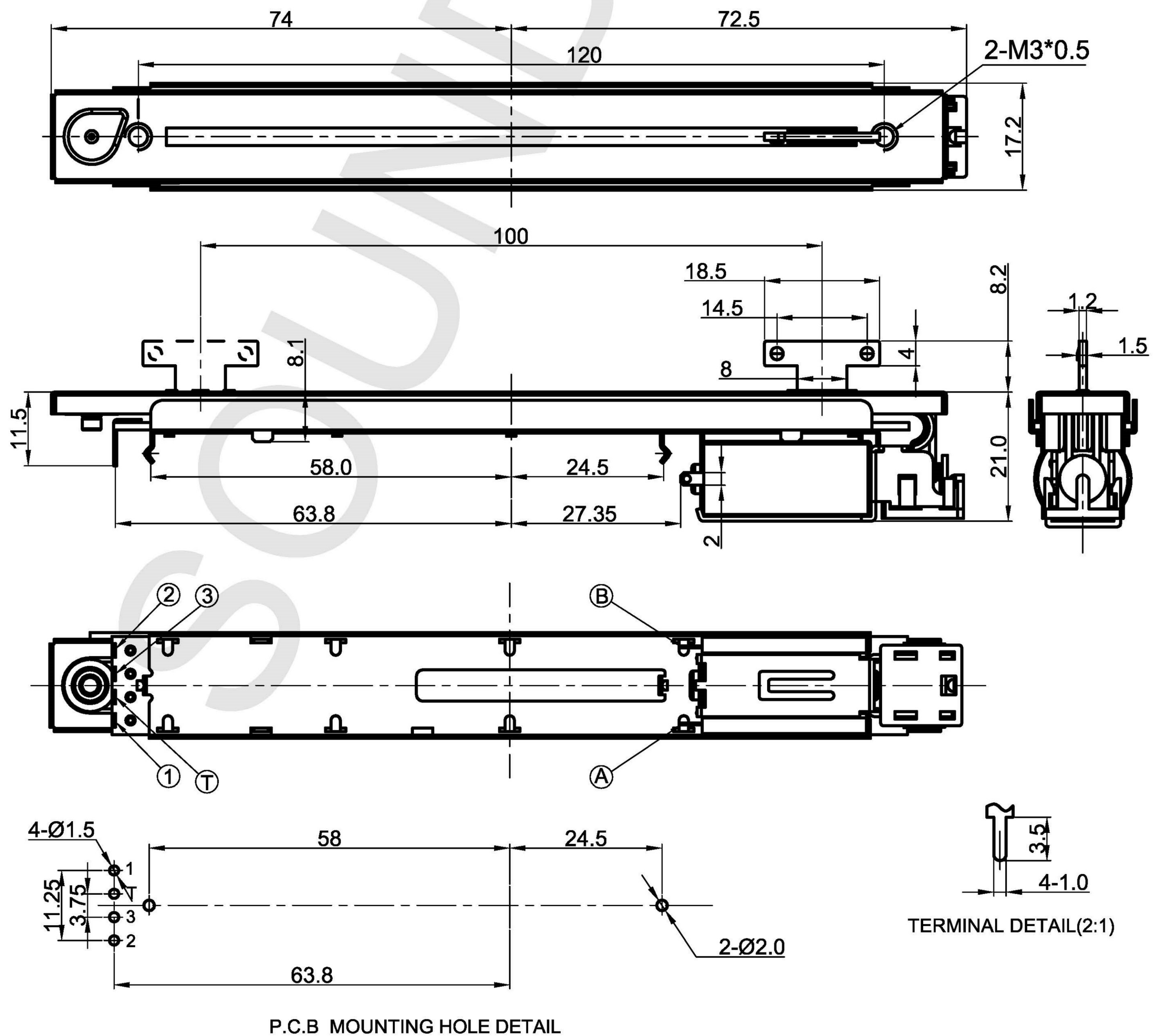


SM10001NKA0X-HA1

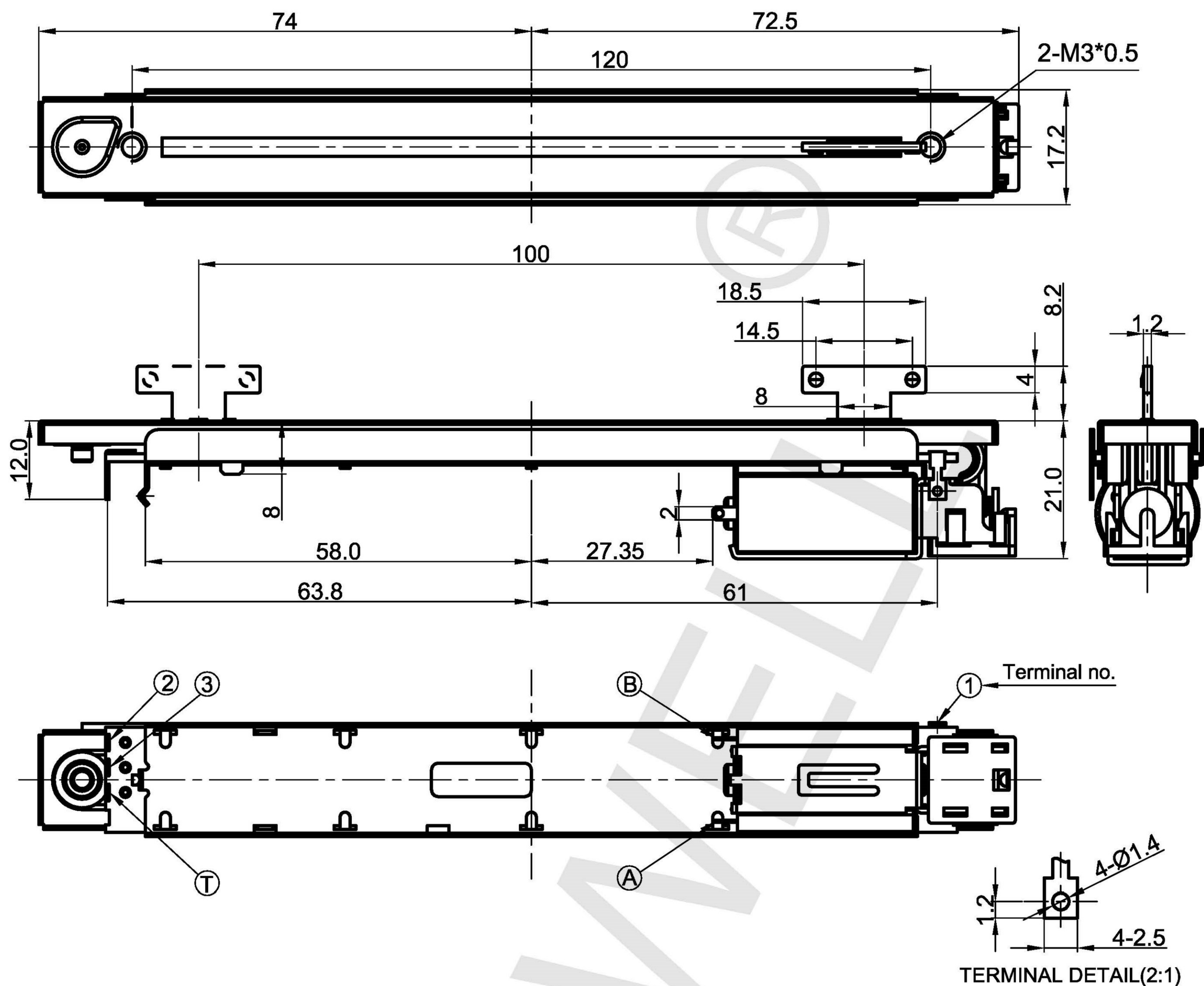


SM10002NKB0X-HA2



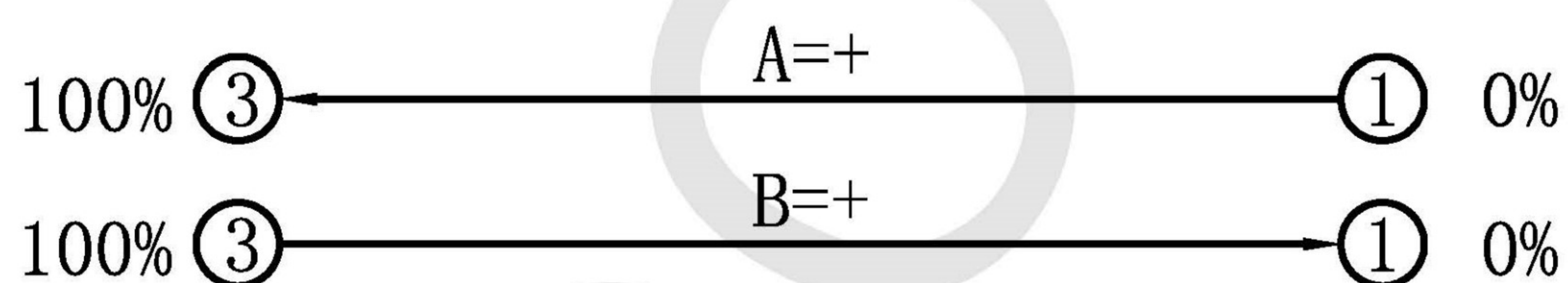
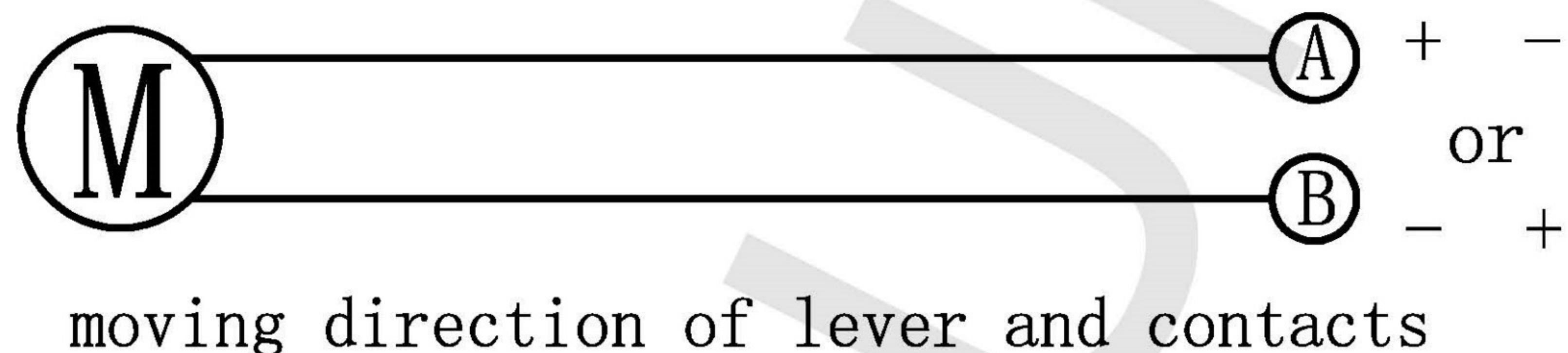


SM10002NKA1X-HW1

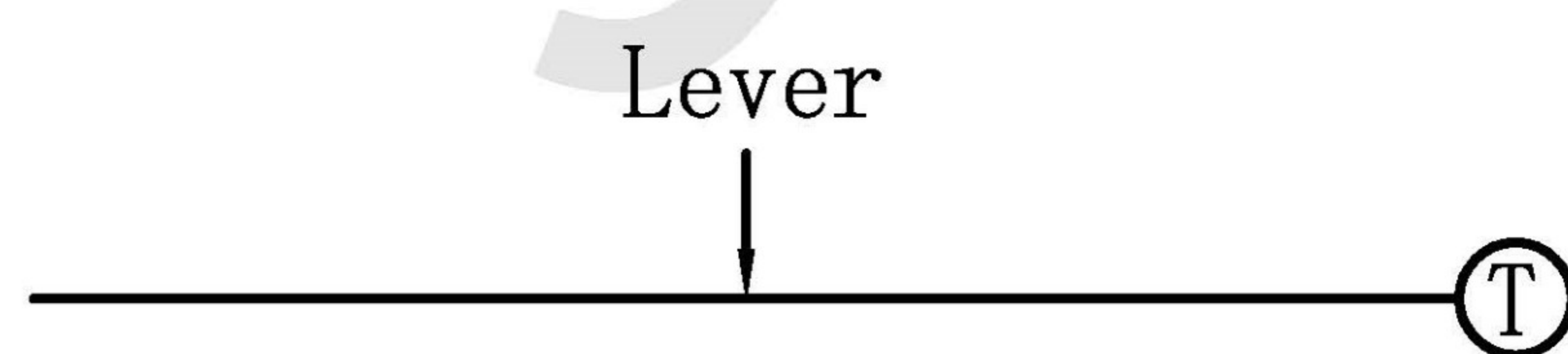


SM SERIES CIRCUIT DIAGRAM

Motor



Touch sense track



Servo track

