

Starting/running torque 2.5 mNm 0.16 watts Part number 82340194



- Constant speed dependent on supply frequency
- Direction of rotation controlled by long-life mechanical anti-return
- Permanent magnet rotor with 5 pole pairs
- Toughened shaft turning on two moulded polyamide bearings
- UL, CSA (class B)

Part numbers

	Type	Type	Direction of rotation	Voltages/Frequencies
82340194	0.16 watts	823400	Clockwise	230 V 50 Hz

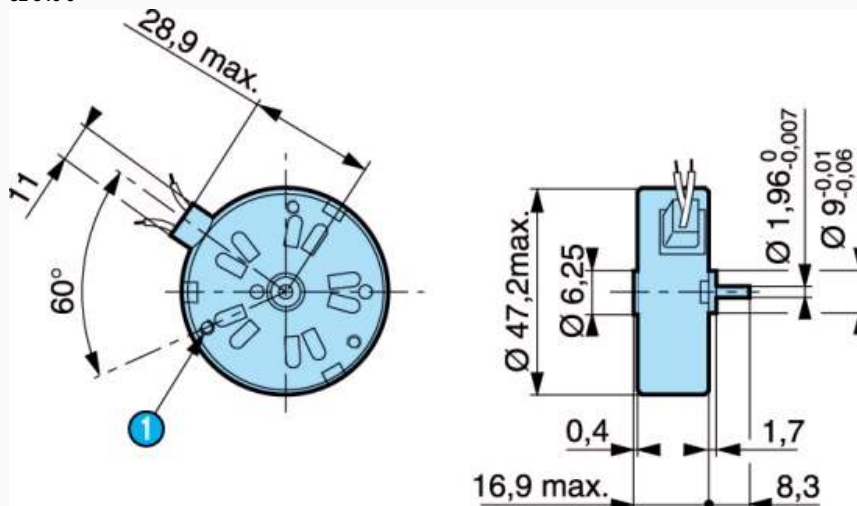
Specifications

General characteristics

Base speed of motor (rpm)	600
Absorbed power (W)	3
Usable Power (W)	0,16
Starting/running torque (mNm)	2,5
Stall torque (mNm)	3,3
Temperature rise (°C)	55
Ambient temperature (°C)	-5 → +60
Maximum inertial load that can be moved (g.cm ²)	4,6
Number of offload starts 10 ⁶	10
Max. reverse rotation angle (°)	360
Insulation resistance (MΩ)	75 x 10 ³
Breakdown voltage (V-50 Hz)	1800 - 1 s
Weight (g)	110
Wires length mm (approximately)	250
Protection rating	IP30

Dimensions (mm)

823400



N°	Legend
①	3 fixing holes ØM2 at 120° on r=19.5 max. depth 2.4 mm

Product adaptations



- Different voltages available
- Pinion on output shaft
- Special cable lengths
- Special connectors