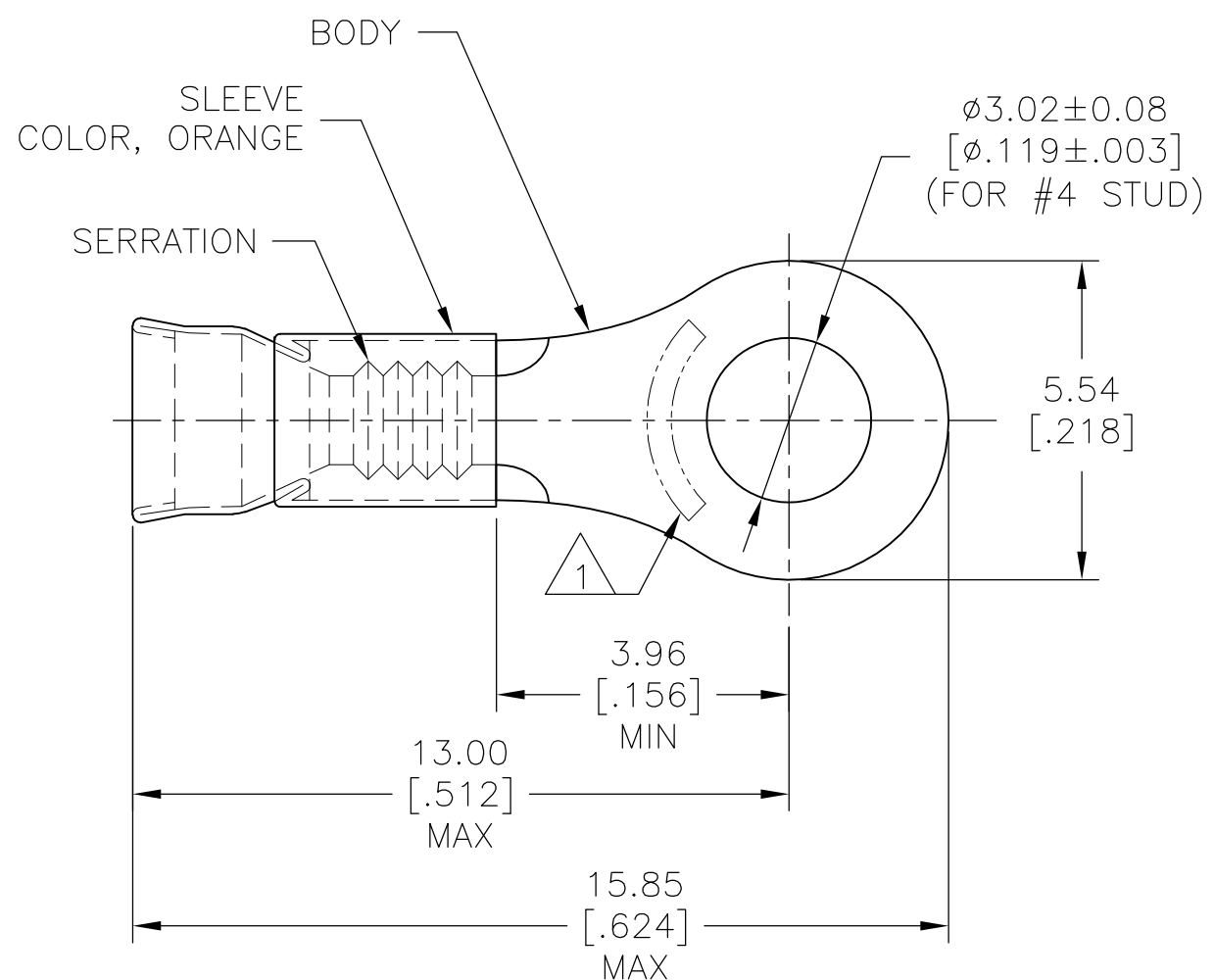


THIS DRAWING IS UNPUBLISHED. RELEASED FOR PUBLICATION  
 © COPYRIGHT - By - ALL RIGHTS RESERVED.

REVISIONS					
P	LTR	DESCRIPTION	DATE	DWN	APVD
	E2	REVISED PER ECO-12-004648	08MAR12	KH	DR
	E3	REVISED PER ECO-16-017419	14MAR2017	RS	DR



- 1 STAMP AMP 22-18 APPROX AS SHOWN  
22-16 TERMINALS ARE STAMPED 22-18 IN ACCORDANCE WITH MILITARY SPEC SAE AS7928  
COMMERCIAL WIRE RANGE IS 22-16.
- 2 WIRE INSUL DIA, 2.67-3.56 [.105-.140].
- 3 TONGUE MATL THK,  $0.79 \pm 0.05$  [.031±.002].
- 4 NOTE DELETED.
- 5 NOTE DELETED.

---	649°C [1200°F]	1000	LOOSE PIECE	321887
FINISH	MAX OPERATING TEMPERATURE	QTY	PACKAGE TYPE	PART NO

AMP INCORPORATED CUSTOMER SERVICE SYSTEM		MAX RECOMMENDED OPERATING TEMPERATURE: SEE TABLE	THIS DRAWING IS A CONTROLLED DOCUMENT.		DWN L OLMEDA 10OCT94	TE Connectivity				
FOR ADDITIONAL PRODUCT INFORMATION OR COPIES OF DRAWINGS AND TECHNICAL DOCUMENTS	PRODUCT INFORMATION CENTER 1-800-522-6752	VOLTAGE RATING: -	DIMENSIONS: mm [INCHES]	TOLERANCES UNLESS OTHERWISE SPECIFIED:	CHK M ELLIS 10OCT94					NAME
FOR APPLICATION TOOLING INFORMATION	TOOLING ASSISTANCE CENTER 1-800-722-1111	CIRCULAR MIL AREA: 0.26mm <sup>2</sup> - 1.65mm <sup>2</sup> [509-3260] STRANDED WIRE		0 PLC ± - 1 PLC ± - 2 PLC ± 0.20 [.008] 3 PLC ± - 4 PLC ± - ANGLES ± -	APVD S BORTNER 10OCT94	TERMINAL, RING TONGUE, STRATOTHERM, DIAMOND GRIP, WIRE SIZE, 22-16 AWG				
FOR ORDER ENTRY	1-800-526-5142	MATERIAL BODY, NI PER ASTM B162 SLEEVE, NI SIL PER ASTM B122		FINISH SEE TABLE	PRODUCT SPEC -	APPLICATION SPEC -	SIZE A3	CAGE CODE 00779	DRAWING NO C-321887	RESTRICTED TO -
CUSTOMER DRAWING					WEIGHT -	SCALE 6:1	SHEET 1 OF 1	REV E3		