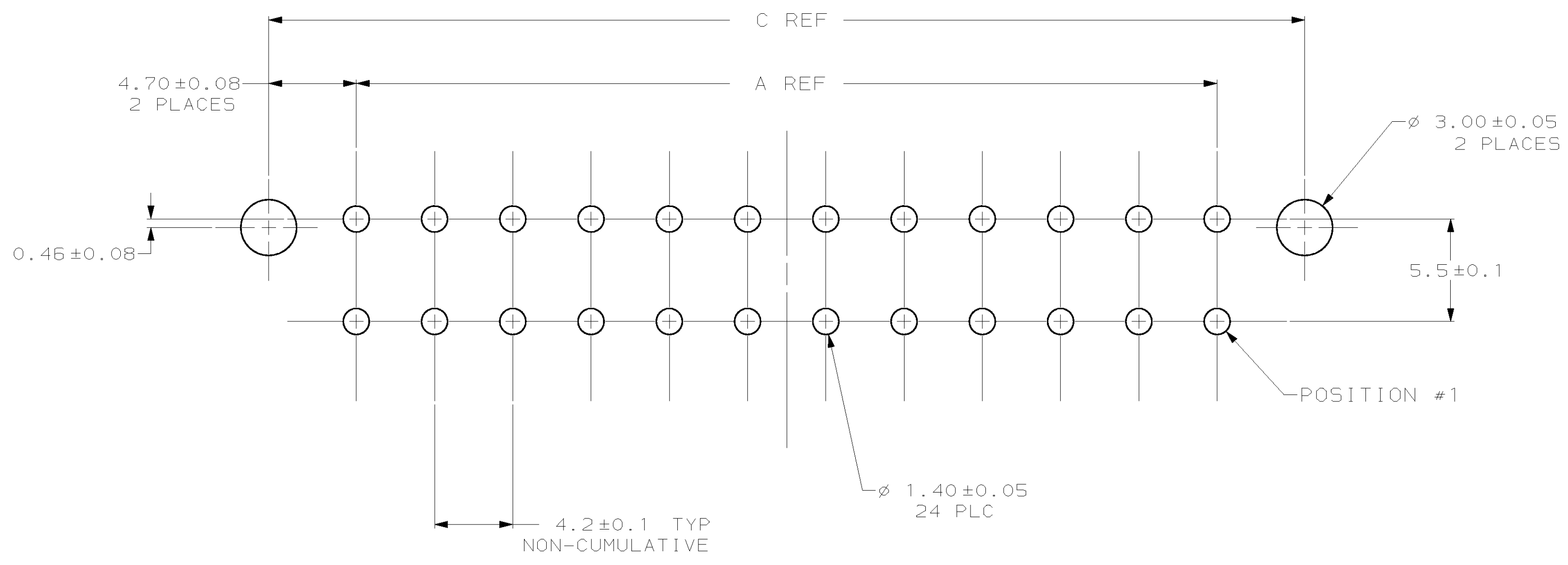
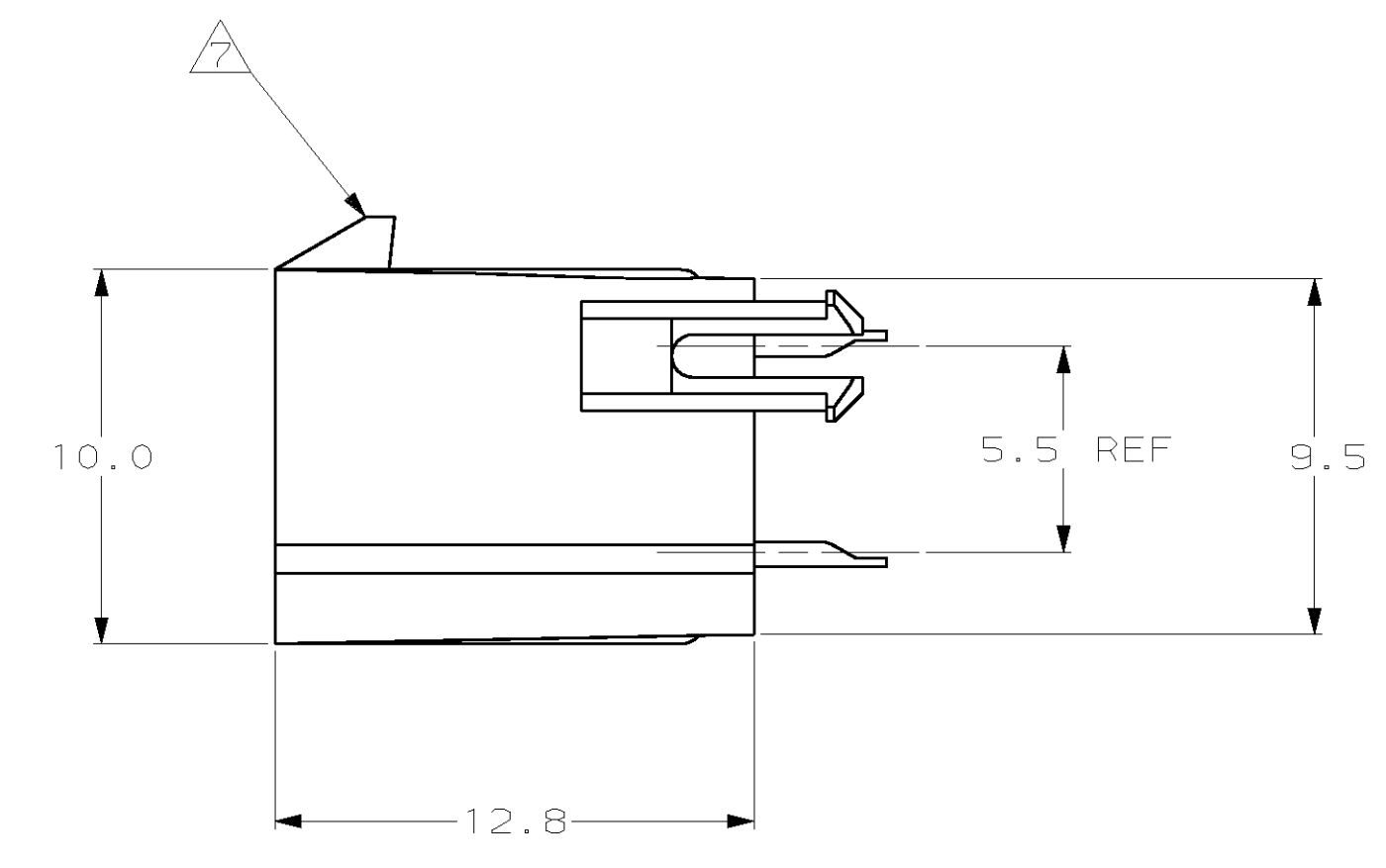
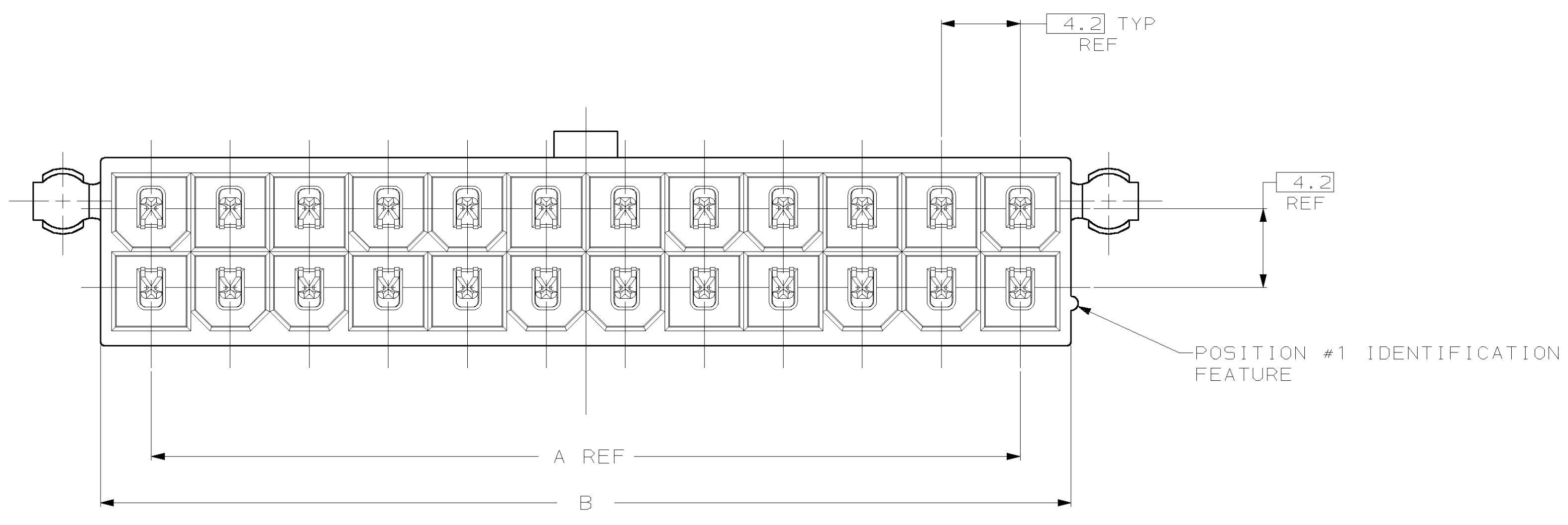


- 1 MATERIAL: HOUSING - NYLON, UL94V-2 (COLOR - NATURAL, COLOR OF PARTS MAY VARY). CONTACTS - 0.25 THK COPPER ALLOY.
- 2 CONTACT FINISH: 0.003 MIN THK TIN-LEAD OVER 0.00127 MIN THK NICKEL OVER ENTIRE CONTACT.
- 3. SOLDER TAIL MEETS AMP SOLDERABILITY SPECIFICATION 109-11-2.
- 4. MATES WITH SIMILARLY PLATED AMP-DUAC™ POWER CONNECTOR RECEPTACLE HOUSINGS/SOCKET CONTACTS.
- 5 RIBS ON FOUR CORNERS OPTIONAL.
- 6 AMP LOGO AND MATERIAL ID MAY BE LOCATED ON EITHER LONG SIDE OF PART.
- 7 SIZE, SHAPE OR STYLE OF THIS FEATURE MAY VARY.



RECOMMENDED MOUNTING HOLE PATTERN FOR 1.78 MAX THICK P.C. BOARD COMPONENT SIDE SHOWN

58.8	55.6	51.6	46.2	24	2-794662-4
54.6	51.4	47.4	42.0	22	2-794662-2
50.4	47.2	43.2	37.8	20	2-794662-0
46.2	43.0	39.0	33.6	18	1-794662-8
42.0	38.8	34.8	29.4	16	1-794662-6
37.8	34.6	30.6	25.2	14	1-794662-4
33.6	30.4	26.4	21.0	12	1-794662-2
29.4	26.2	22.2	16.8	10	1-794662-0
25.2	22.0	18.0	12.6	8	794662-8
21.0	17.8	13.8	8.4	6	794662-6
16.8	13.6	9.6	4.2	4	794662-4
12.6	9.4	5.4	0.0	2	794662-2
D	C	B	A	NO. OF POSITIONS	PART NO



THIS DRAWING IS A CONTROLLED DOCUMENT.

DIMENSIONS:	TOLERANCES UNLESS OTHERWISE SPECIFIED:	DWN	A. HOLT	10 MAY 99
mm	0 PLC ±	CHK	C. CASH	10 MAY 99
	1 PLC ±0.2	APPROV	C. CASH	10 MAY 99
	2 PLC ±0.13	NAME	AMP Incorporated Harrisburg, PA 17105-3608	
	3 PLC ±	PRODUCT SPEC	ASSEMBLY, HEADER, VERTICAL,	
	4 PLC ±	APPLICATION SPEC	TIN-LEAD PLATED, W/PEGS, W/O DRAIN HOLES,	
MATERIAL	FINISH	SIZE	CAGE CODE	DRAWING NO
1	2	A1	00779	794662
CUSTOMER DRAWING		SCALE	5:1	SHEET 1 OF 1