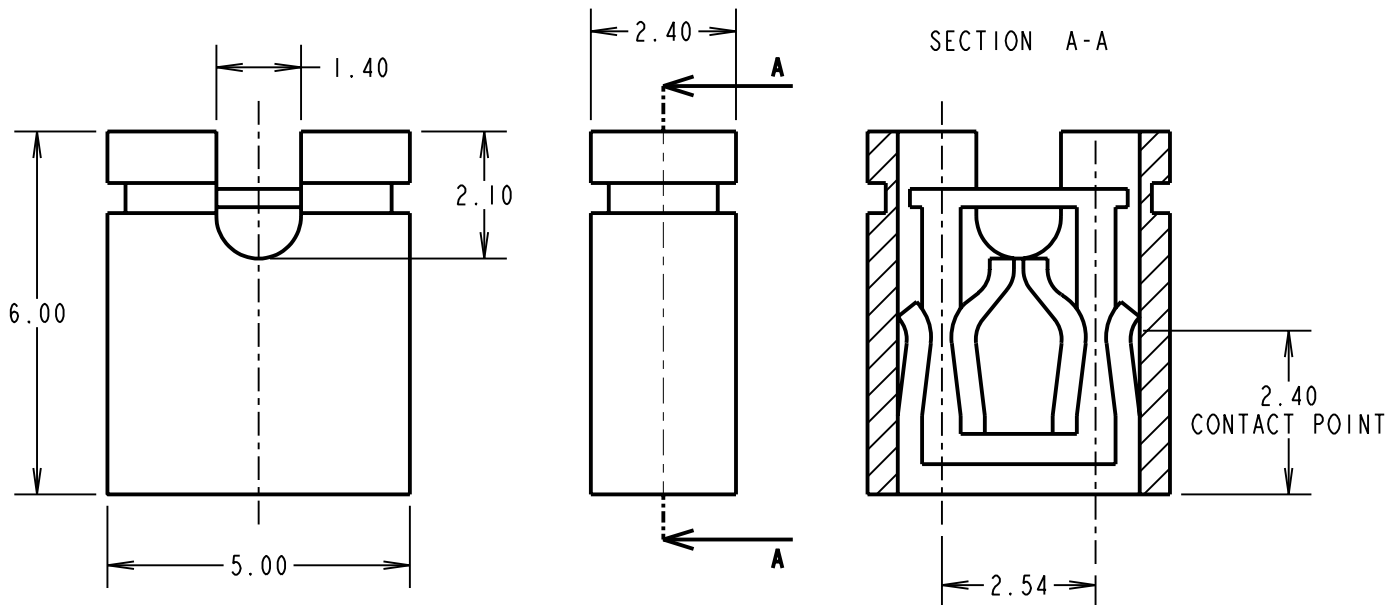


# Customer Information Sheet

DRAWING No.: M7580/81/82/83-XX SHEET 2 OF 2 IF IN DOUBT - ASK (C) NOT TO SCALE THIRD ANGLE PROJECTION ALL DIMENSIONS IN mm



## SPECIFICATION.

### MATERIAL:

INSULATOR = 30% GLASS FILLED PBT UL94V-0  
(SEE ORDER CODE FOR COLOUR)

CONTACT = PHOSPHOR BRONZE

### FINISH:

05 = SELECTIVE GOLD OVER NICKEL

46 = 100% TIN

### ELECTRICAL:

CURRENT RATING = 1A

INSULATION RESISTANCE = 5,000 MEGOHMS MIN

CONTACT RESISTANCE = 20 MILLIOHMS MAX

DIELECTRIC STRENGTH = 500V AC

### MECHANICAL:

INSERTION FORCE = 13.7N MAX, 2.0N MIN

WITHDRAWAL FORCE = 7.4N MAX, 1.0N MIN

### ENVIRONMENTAL:

OPERATING TEMPERATURE = -55°C TO +105°C

## ORDER CODE:

**M75XX-XX**

### MOULDING COLOUR

80 = GREY

81 = RED

82 = BLACK

83 = BLUE

### CONTACT FINISH

05 = GOLD

46 = 100% TIN

## NOTES:

1. RECOMMENDED PIN SIZE = 0.64mm SQUARE.
2. ALL TOLERANCES  $\pm 0.20$ mm UNLESS OTHERWISE STATED.

CP	7	23.12.09	10620
NAME	ISS.	DATE	C/NOTE
APPROVED: C.PENROSE			
CHECKED: R.ADDE			
DRAWN: A. G. LIOTTA			
CUSTOMER REF.:			
ASSEMBLY DRG:			

# HARWIN

HARWIN USA  
TEL: 603 893 5376  
FAX: 603 893 5396  
mis@harwin.com

HARWIN Europe (UK)  
TEL: 023 9231 4545  
FAX: 023 9231 4590  
mis@harwin.co.uk

HARWIN Asia  
TEL: +65 6 779 4909  
FAX: +65 6 779 3868  
mis@harwin.com.sg

THIS DRAWING AND ANY INFORMATION OR DESCRIPTIVE MATTER SET OUT HEREON ARE CONFIDENTIAL AND COPYRIGHT PROPERTY OF THE HARWIN GROUP AND MUST NOT BE DISCLOSED, LOANED, COPIED OR USED FOR MANUFACTURING, TENDERING OR FOR ANY OTHER PURPOSE WITHOUT THEIR WRITTEN PERMISSION.

**TOLERANCES**  
~~X =  $\pm 1$ mm  
 X.X =  $\pm 0.25$ mm  
 X.XX =  $\pm 0.10$ mm  
 X.XXX =  $\pm 0.01$ mm  
 ANGLES =  $\pm 5^\circ$   
 UNLESS STATED~~

### MATERIAL:

SEE ABOVE

FINISH: SEE ABOVE

S/AREA: mm<sup>2</sup>

### TITLE:

SINGLE OPERATION  
2.54mm PITCH OPEN TOP  
JUMPER SOCKET

### DRAWING NUMBER:

**M7580/81/82/83-XX**

SHT  
2 OF 2