

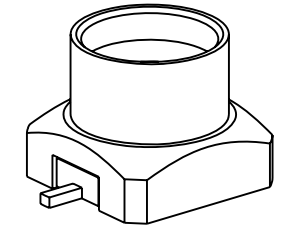
NOTES:

1. MATERIALS AND FINISHES:
 - BODY - BRASS, GOLD PLATING, .000030" [0.8 MICRO-METER] THICK OVER NICKEL
 - CONTACT - BRASS, GOLD PLATING, .000030" [0.8 MICRO-METER] THICK OVER NICKEL
 - INSULATOR - LCP
2. ELECTRICAL:
 - A. IMPEDANCE: 50 OHM
 - B. FREQUENCY RANGE: DC - 18 GHz
 - C. VSWR(RETURN LOSS): 1.10 (26.4 dB), MAX. DC-6GHz
 1.15 (23.1 dB), MAX. 6-10GHz
 1.30 (17.7 dB), MAX. 10-18GHz
 - D. DIELECTRIC WITHSTANDING VOLTAGE: 500 VRMS, MIN.
3. PHYSICAL:
 - A. DURABILITY: 500 CYCLES MIN.
 - B. ENGAGEMENT FORCE: 10 LBS [45 N] MAX
 - C. DISENGAGEMENT FORCE: 2 LBS [9 N] MIN
 - D. INNER CONTACT RETENTION FORCE: 1.5 LB [7 N] MIN
 - E. TEMPERATURE RANGE: -65° C TO +165° C
4. PACKAGING:
 - A. PACKAGE CONNECTOR AS PER ROUTING INSTRUCTIONS.
 - B. MARK BAG OR TAG "SMP-MSLD-PCS, AND DATE CODE"

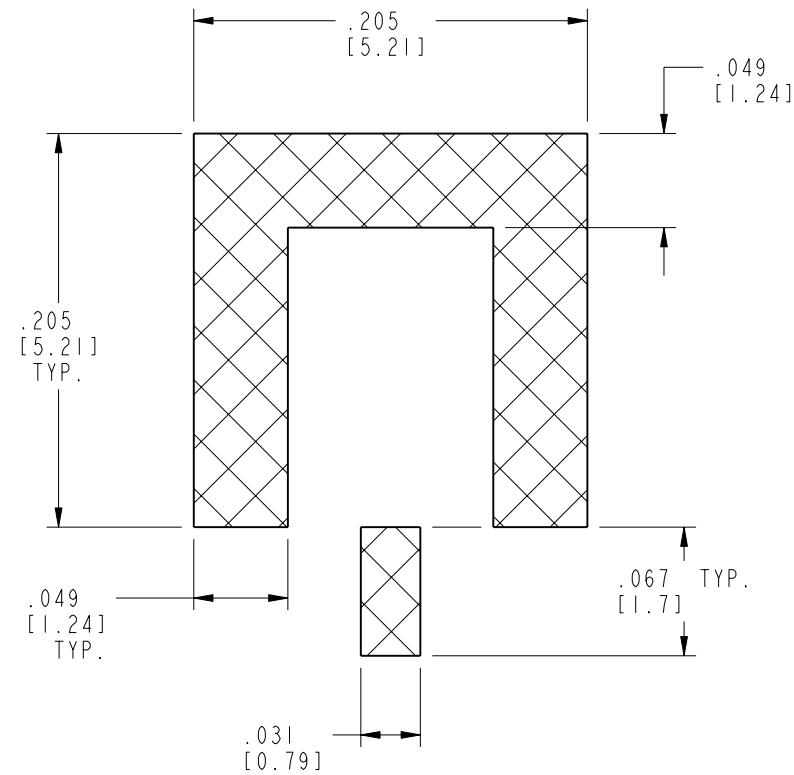
THIRD ANGLE PROJ.

REVISIONS

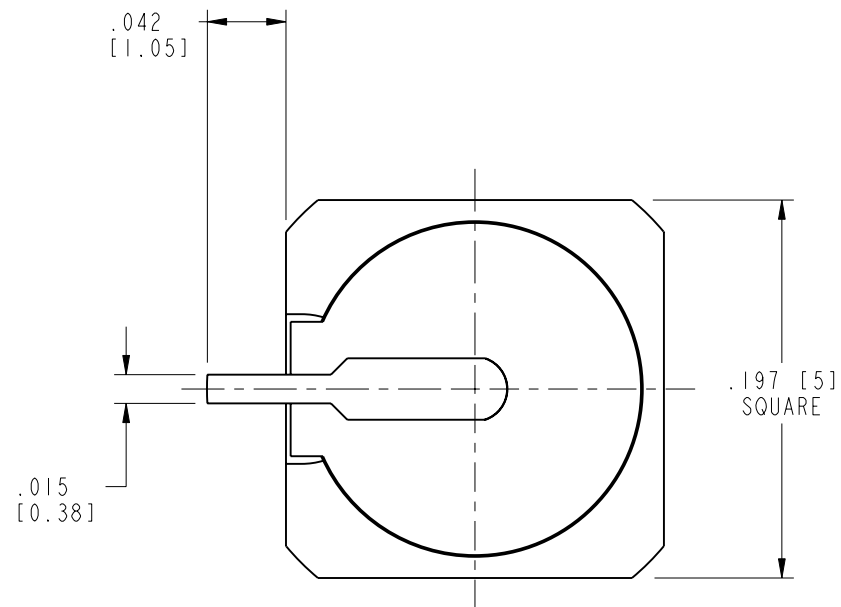
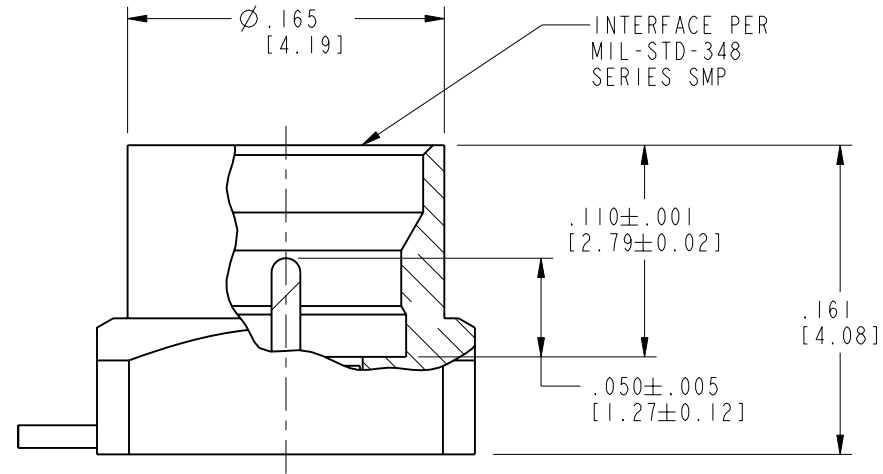
REV	DESCRIPTION	DATE	ECO	APPR
A	RELEASE TO MFG	3/2/05	45426	MAH
B	INSULATOR WAS CHANGED	07-May-07	---	ANGELA
C	SYNCH THE DRAWING WITH DANBURY	07-Nov-12	49307	SH
D	1.27±0.12 WAS 1.30±0.12\RD-DMI3091001J8	24-Sep-13	49741	MD



SCALE 5.000



RECOMMENDED PCB FOOTPRINT
SCALE 10.000



CUSTOMER OUTLINE DRAWING

ALL OTHER SHEETS ARE FOR INTERNAL USE ONLY

UNLESS OTHERWISE SPECIFIED, DIMENSIONS ARE IN INCHES AND TOLERANCES ARE: 2 PLACE DECIMAL 3 PLACE DECIMAL ANGLES ±.015 (0,381 mm) ±.005 (0,127 mm) ± 1°	MATERIAL	DRAWN H. PARIKH	DATE 24-Sep-13	TITLE SMP JACK, PIN CONTACT PCB RECEPTACLE LIMITED DETENT	Amphenol RF www.amphenolrf.com
	NOTICE - These drawings, specifications, or other data (1) are, and remain the property of Amphenol corp. (2) must be returned upon request; and (3) are confidential and not to be disclosed to any person other than those to whom they are given by Amphenol Corp. the furnishing of these drawings, specifications, or other data by Amphenol Corp., or to any other person to anyone for any purpose is not to be regarded by implication or otherwise in any manner licensing, granting rights to permitting such holder or any other person to manufacture, use or sell any product, process or design, patented or otherwise, that may in any way be related to or disclosed by said drawings, specifications, or other data.	REFERENCE GEN# ASSYM7_SMP 615X-1782 PREVIOUSLY SMP-MSLD-PCS-1 CONFIGURATION LEVEL:	ENGINEER H. PARIKH		
	FINISH	APPROVED S. HSIEH	DATE 27-Sep-13	SCALE: 10.0:1.0 SHEET 2 OF 2	ITEM NO. SMP-MSLD-PCS
		CAD FILE		DWG SIZE B REV D	PART NO. SMP-MSLD-PCS