

# 2.4MM SERIES

## 2.4mm Interface at a Glance

The 2.4mm connector was developed for use to 50 GHz. This connector series uses a thick outer wall to eliminate the fragility seen in SMA and 2.92mm connectors. The female socket is also strengthened to ensure reliable mating. The 2.4mm series mates with SMA, 3.5mm and 2.92mm connectors with adapters and can mate with the 1.85mm series without adapters.

### Electrical Specifications

Impedance	50Ω
Frequency	50 GHz
VSWR	1.03 + .005 f
Insertion Loss	.04 √ f
Shielding Effectiveness	≥ 100 dB

### Mechanical Specifications

Mating Cycles	500
Recommended Torque	5 - 7 in - lbs
Inter-mate ability	1.85mm

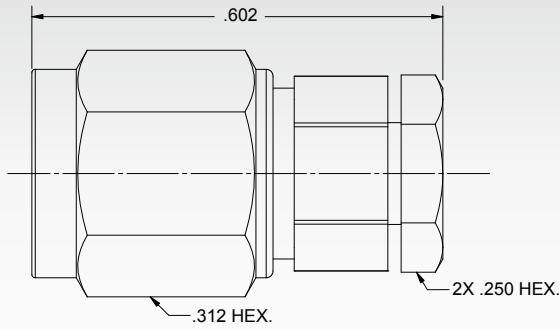
### Environmental Specifications

Temperature Rating	-65°C to +165°C
Corrosion (Salt Spray)	MIL-STD-202, Method 101, Condition B
Vibration	MIL-STD-202, Method 204, Condition D, 20 Gs
Shock	MIL-STD-202, Method 213, Condition I, 100 Gs
Thermal Shock	MIL-STD-202, Method 107. Cond. B, -65°C to +125°C
Moisture Resistance	MIL-STD-202, Method 106, Less Step 7B
Barometric Pressure (Altitude)	MIL-STD-202, Method 105, Condition C, 70k Ft.

Note: Specifications, dimensions and images are typical for the series and may vary by part number

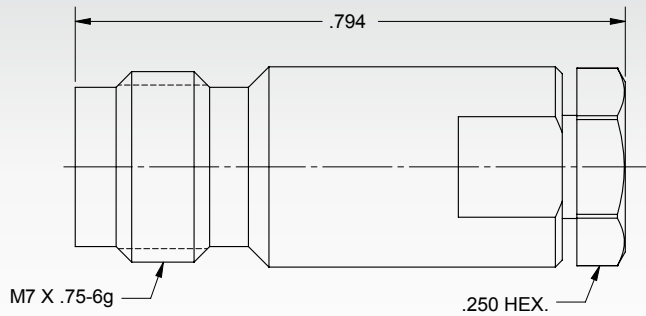
# 2.4MM SERIES

## Male Cable Connector



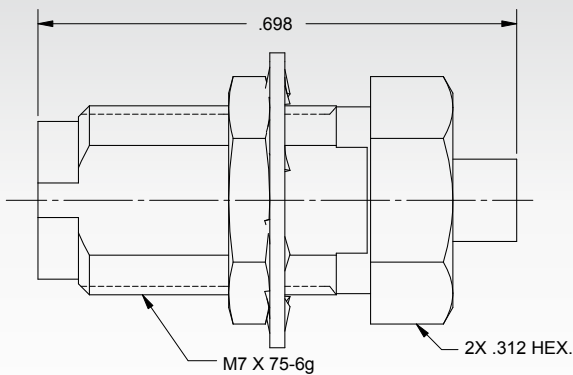
Cable	P/N
.047	SF1611-60001
.085	SF1611-60003

## Female Cable Connector



Cable	P/N
.047	SF1621-60014
.085	SF1621-60009

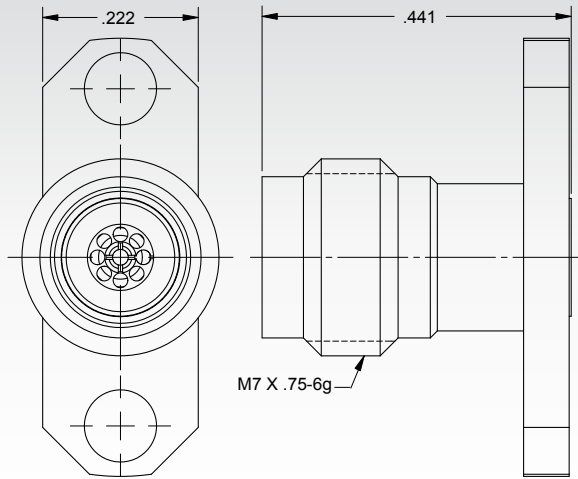
## Female Bulkhead Cable Connector



Cable	P/N
.047	SF1621-60005
.085	SF1644-6001

# 2.4MM SERIES

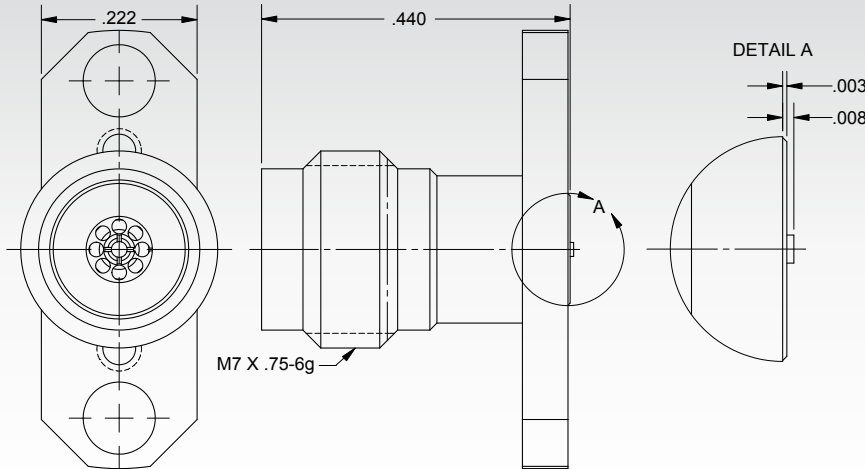
## Female Flange Mount Connector, 2 Hole (Accepts Ø.012" Pin)



**P/N**

SF1621-60017

## Female Flange Compression Mount Connector, 2 Hole

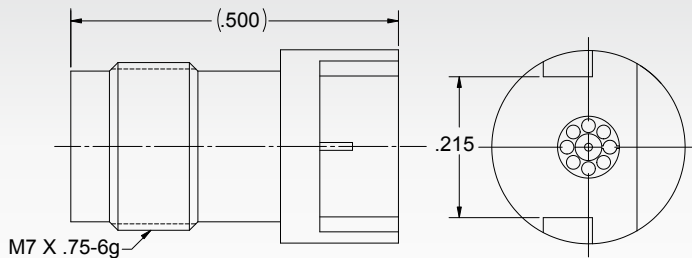


**P/N**

SF1621-60003

Contact SV directly to access our database of recommended PCB layouts

## Female Edge Launch Connector (.062" PCB Thickness)



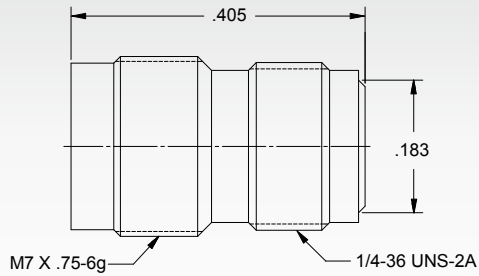
**P/N**

1621-60008

Contact SV directly to access our database of recommended PCB layouts

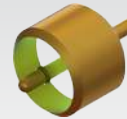
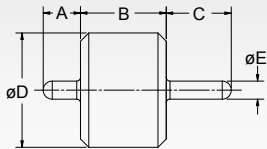
# 2.4MM SERIES

## Male Sparkplug Connector (Accepts Ø.008" Pin)



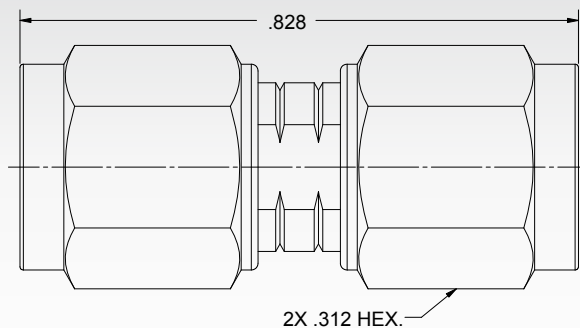
P/N
SF1675-600 4

## Feed-Thru Hermetic Seal



P/N	A	B	C	øD	øE
066-15-000	.040"	.055"	.029"	.076"	.012"
066-15-001	.040"	.055"	.080"	.076"	.012"
066-15-002	.030"	.055"	.026"	.068"	.009"
066-15-003	.030"	.055"	.080"	.068"	.009"
066-15-004	.030"	.055"	.120"	.068"	.009"
066-15-005	.050"	.060"	.125"	.158"	.020"

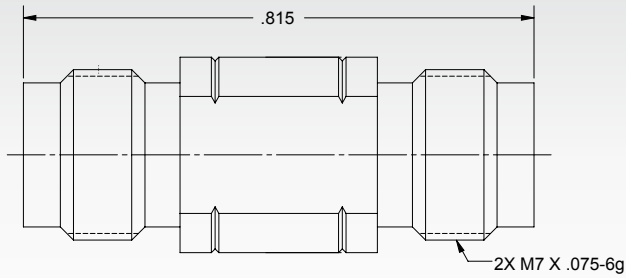
## 2.4mm Male to Male Adapter



P/N
SF1116-6039

# 2.4MM SERIES

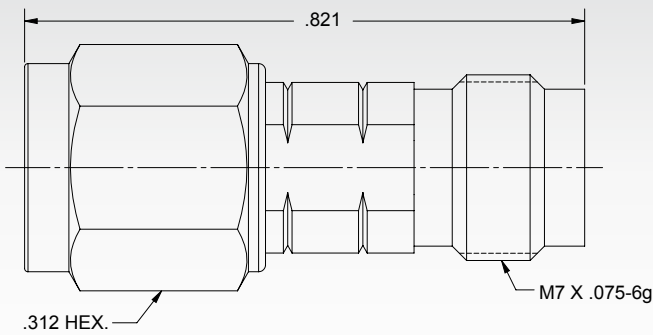
## 2.4mm Female to Female Adapter



**P/N**

SF1116-6053

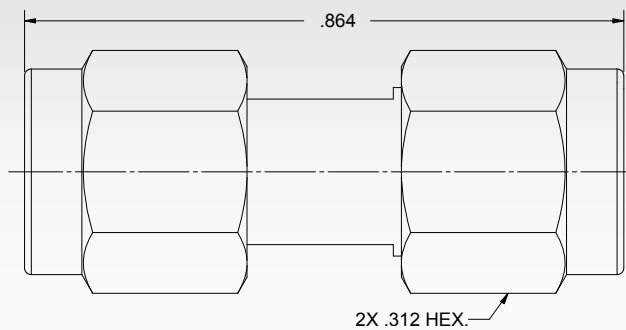
## 2.4mm Male to Female Adapter



**P/N**

SF1116-6040

## 2.4mm Male to 2.92mm Male Adapter

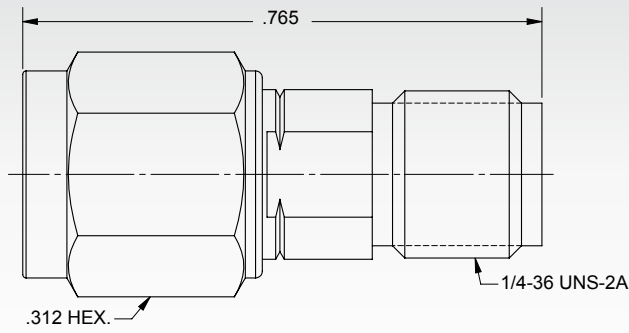


**P/N**

SF1116-6007

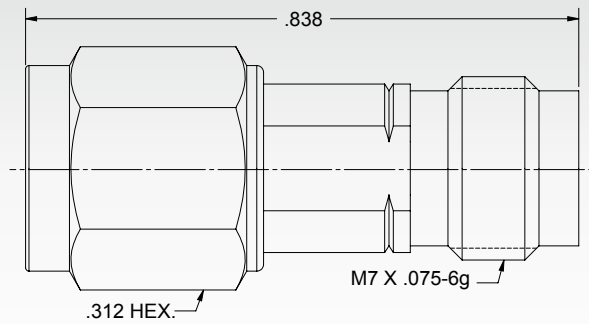
# 2.4MM SERIES

## 2.4mm Male to 2.92mm Female Adapter



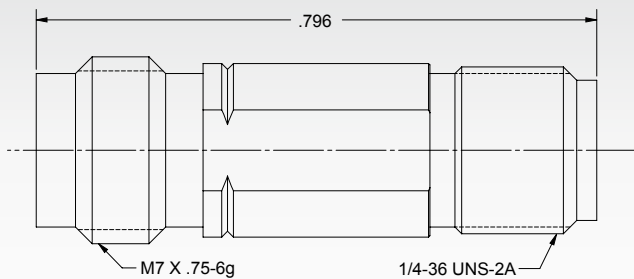
<b>P/N</b>
SF1116-6002

## 2.4mm Female to 2.92mm Male Adapter



<b>P/N</b>
SF1116-6003

## 2.4mm Female to 2.92mm Female Adapter

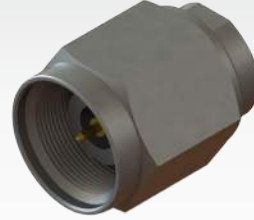
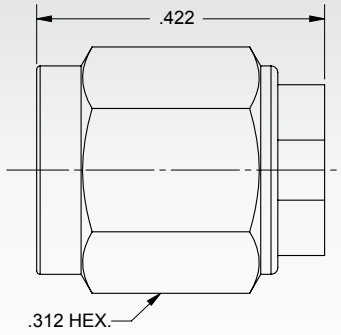


<b>P/N</b>
SF1116-6004

2.4MM SERIES

# 2.4MM SERIES

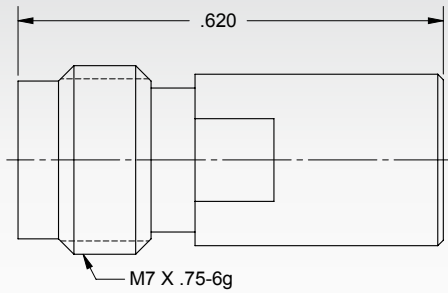
## Male Termination



**P/N**

SF8016-6304

## Female Termination



**P/N**

SF8016-6402

