

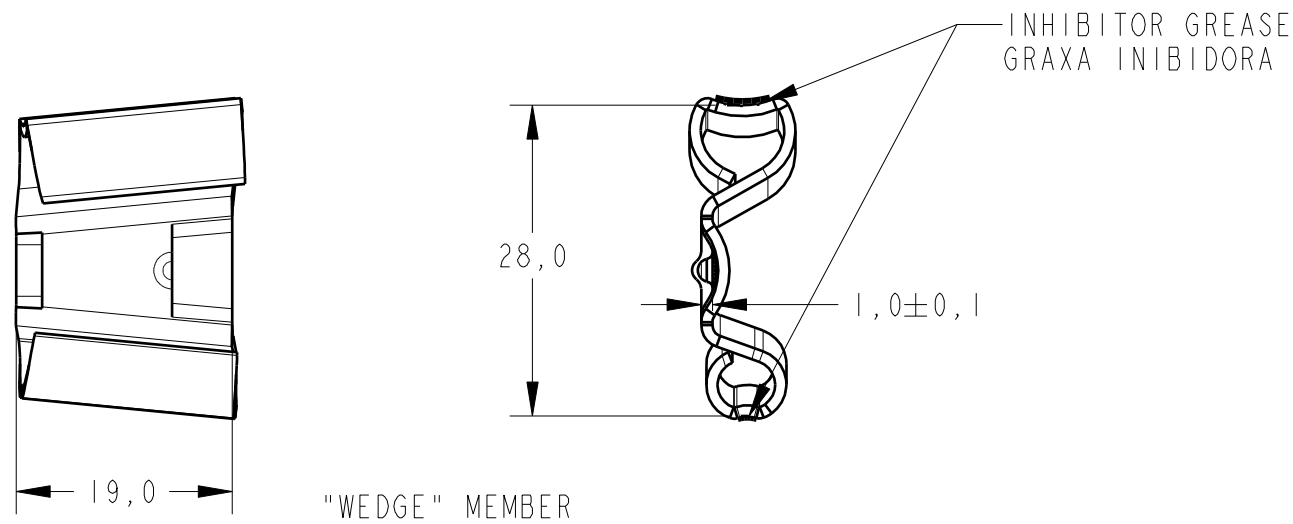
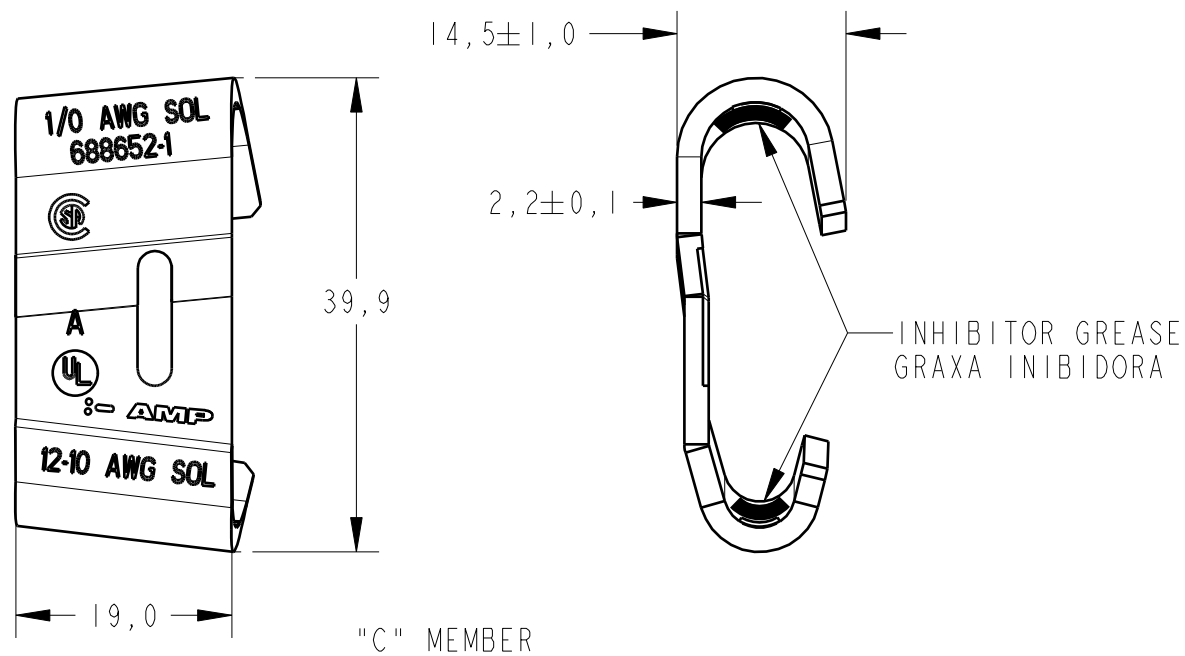
THIS DRAWING IS UNPUBLISHED.

RELEASED FOR PUBLICATION

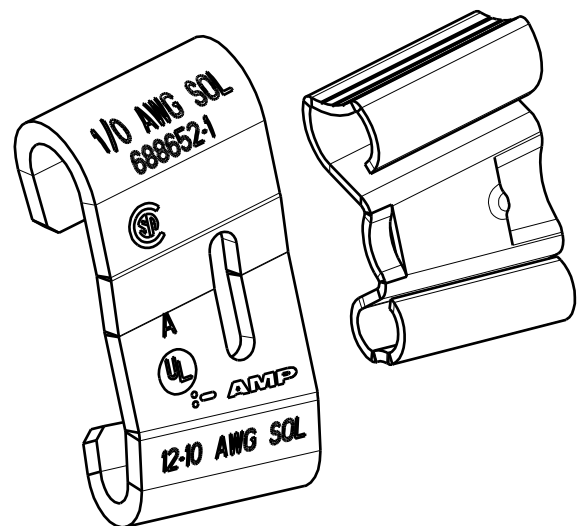
20

© COPYRIGHT 20 BY TYCO ELECTRONICS CORPORATION. ALL RIGHTS RESERVED.

LOC	DIST	REVISIONS				
P	LTR	DESCRIPTION	DATE	DWN	APVD	
AP	-	F1	REVISED BY ECR-05-010312	08DEC2005	GO	WB
		F2	ECO-09-003259	11MAR2009	GO	WB



1 - SUPPLIED IN INDIVIDUAL PLASTIC PACKAGING.
 1 - FORNECIDO EM EMBALAGEM PLASTICA INDIVIDUAL.



10,95	9,10	9,36	5,60	5,10	1,74	ESTANHADO TIN PLATED	LIGA DE COBRE COPPER ALLOY	688652-1
MAX.	MIN.	MAX.	MIN.	MAX.	MIN.	FINISH	MATERIAL	PART NUMBER
SOMA DOS DIÂMETROS SUM		CABO PRINCIPAL TOP GROVE		CABO DERIVAÇÃO BOTTOM GROVE				
DIÂMETRO LIMITE DOS CABOS WIRE DIAMETER LIMITE								

<small>THIS DRAWING IS A CONTROLLED DOCUMENT FOR TYCO ELECTRONICS CORPORATION IT IS SUBJECT TO CHANGE AND THE CONTROLLING ENGINEERING ORGANIZATION SHOULD BE CONTACTED FOR THE LATEST REVISION.</small>		DWN 07DEC2005 G. DE OLIVEIRA CHK RUY P. LEME W. BELLINI JR. APVD 07DEC2005 RUY P. LEME	TYCO ELECTRONICS do Brasil LTDA. Sao Paulo, Brasil
DIMENSIONS: mm 	TOLERANCES UNLESS OTHERWISE SPECIFIED: 0 PLC ±- 1 PLC ±1,5 2 PLC ±- 3 PLC ±- 4 PLC ±- ANGLES ±-	PRODUCT SPEC 108-37019 APPLICATION SPEC 411-37014	NAME U.D.CONNECTOR ASS'Y TYPE A, REINFORCED
MATERIAL SEE TABLE	FINISH SEE TABLE	WEIGHT -	RESTRICTED TO -
CUSTOMER DRAWING		SCALE -	SHEET 1 OF 1 REV F2

D
C
B
A