

## Skeleton box for Raspberry Pi

This enclosure is constructed from military grade aluminum and hardwearing acrylic, Providing the ultimate protection from physical and corrosion! The skeleton allows clearance for any standard Arduino, and the enclosures are stackable in all three dimensions, allowing for limitless expansion possibilities. Mounting holes are also pre-drilled to allow for motors, meaning can easily turn the skeleton into a mini-car! The skeleton is easy to use, and provides the best protection for your Arduino that money can buy! And this is a simply case, specially designed for Raspberry Pi.L

### Feature

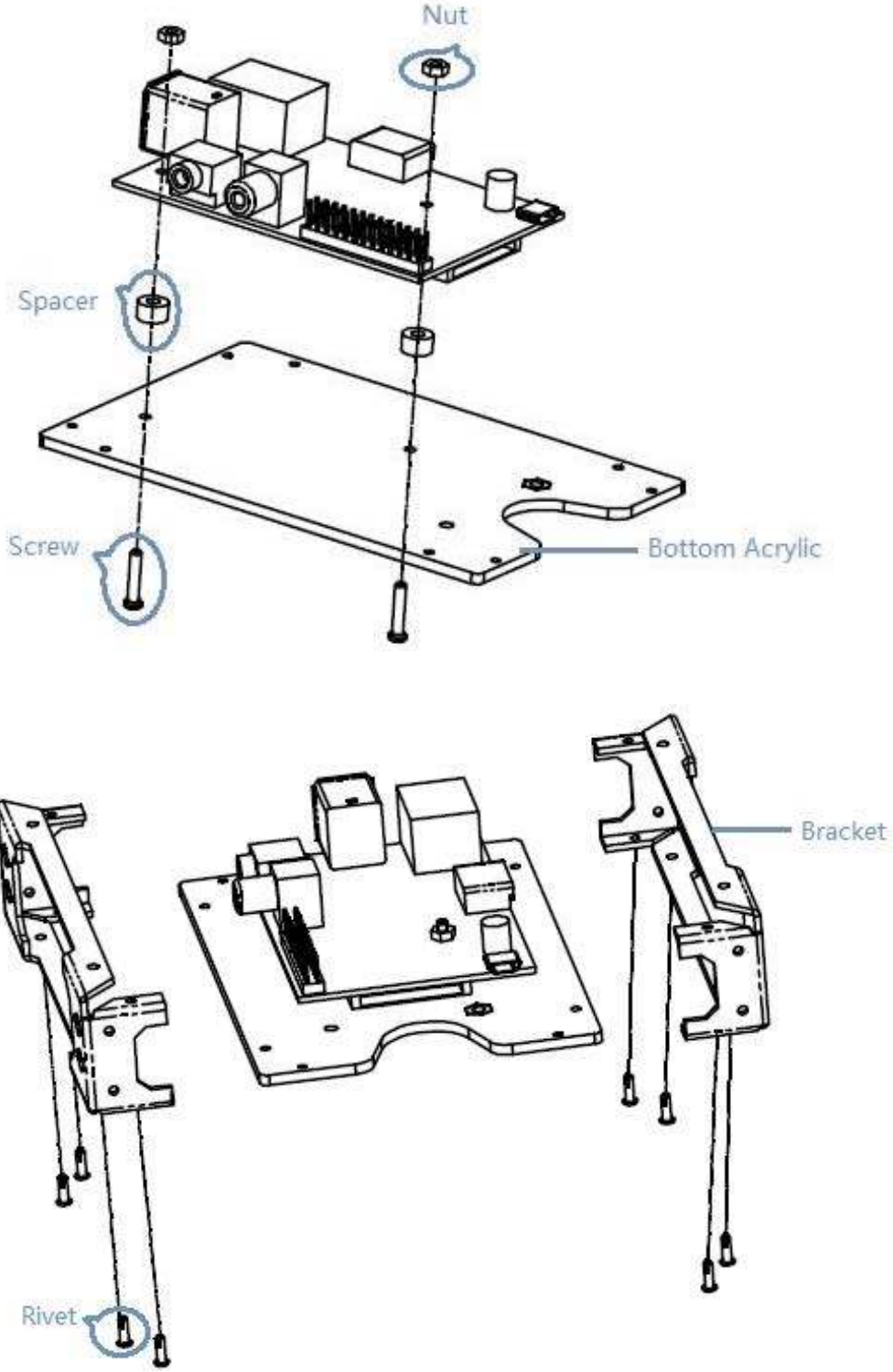
---

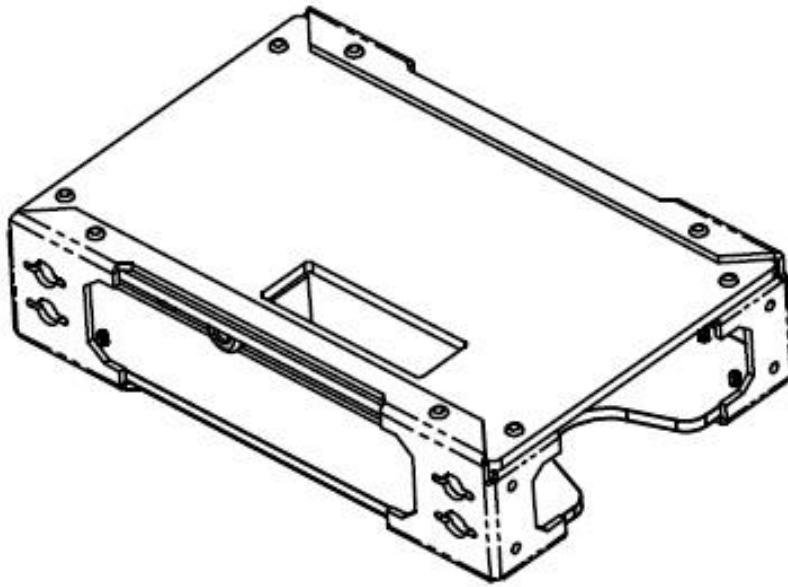
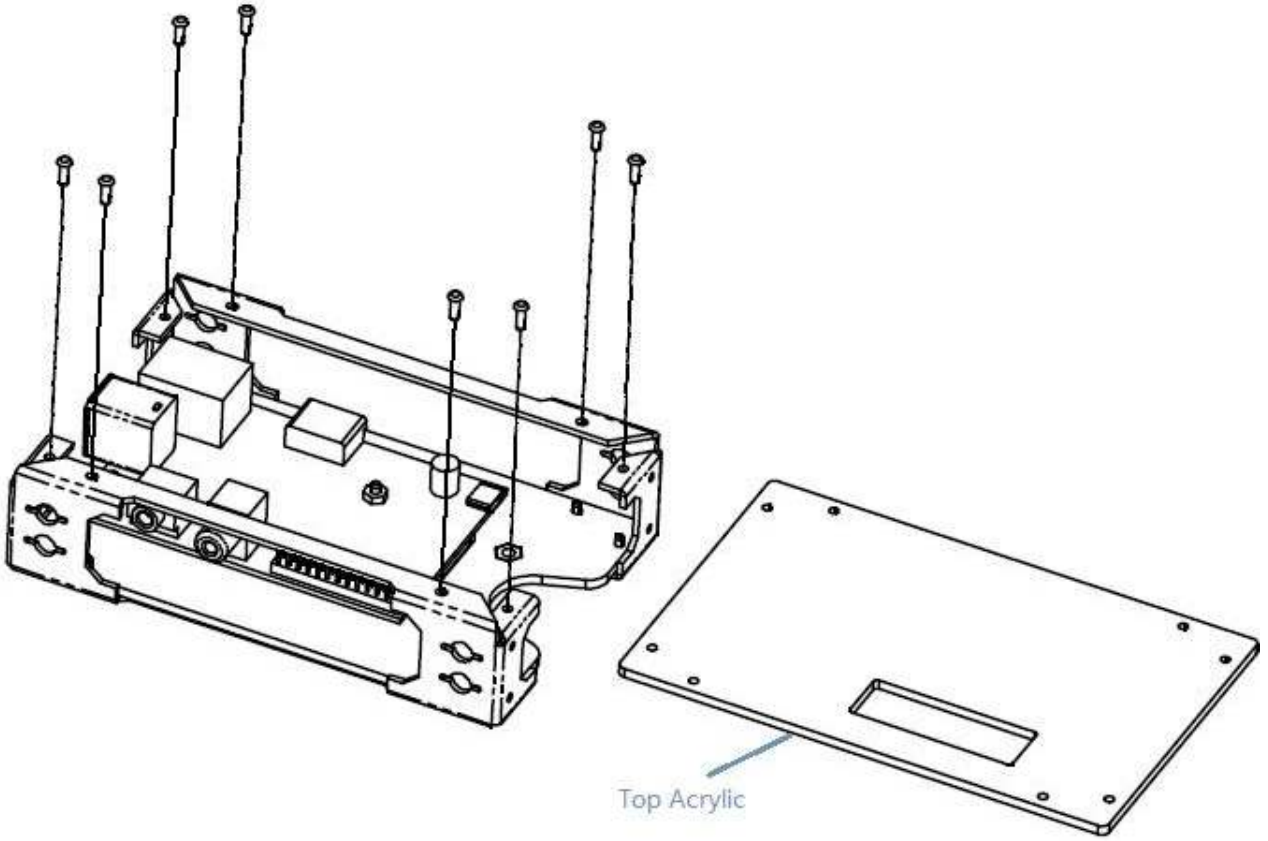
- Neat and universal
- Easy to assemble
- Solid and stable material

# Usage

---

Assembly diagram is as follows:





Part	Package	Qty
Bracket	1.5mm aluminum plate stamping molding, black sand anodized	2
Bottom Acrylic	2.5mm Thickness	1
Top Acrylic	2.5mm Thickness	1
Rivet (White)	R2056	20
Screw	M2.5X12	3
Spacer	M3X7X4	4
Nut	M2.5X2	4

## Tech Support

Please submit any technical issue into our [forum](#) or drop mail to [techsupport@seeed.cc](mailto:techsupport@seeed.cc).