



AMP | Timer Connector System

TE Internal #: 284098-1

Housing for Female Terminals, Wire-to-Wire, 3 Position, .362 in [9.2 mm] Centerline, Natural, Wire & Cable, Power, Timer Connector System

[View on TE.com >](#)

Connectors > Automotive Connectors > Automotive Housings > Timer Connector Housing



Connector & Housing Type: **Housing for Female Terminals**

Mating Tab Width: **2.8 mm, 6.3 mm [.11 in, .248 in]**

Connector System: **Wire-to-Wire**

Number of Positions: **3**

Centerline (Pitch): **9.2 mm [.362 in]**

[All Timer Connector Housing \(589\)](#)

Features

Product Type Features

Connector Shape	Rectangular
Connector & Housing Type	Housing for Female Terminals
Connector System	Wire-to-Wire
Sealable	No
Hybrid Connector	No
Primary Locking Feature	On the Terminal
Connector & Contact Terminates To	Wire & Cable

Configuration Features

Number of Positions	3
Number of Rows	1

Electrical Characteristics

Operating Voltage	24 VDC
-------------------	--------



Nominal Voltage Architecture	24 V
------------------------------	------

Body Features

Cable Exit Angle	180°
------------------	------

Primary Product Color	Natural
-----------------------	---------

Contact Features

Contact Size	2.8mm, 6.3mm
--------------	--------------

Contact Type	Receptacle
--------------	------------

Mating Tab Width	2.8 mm, 6.3 mm [.11 in][.248 in]
------------------	----------------------------------

Contact Current Rating (Max)	30 A
------------------------------	------

Mechanical Attachment

Terminal Position Assurance	No
-----------------------------	----

Strain Relief	Without
---------------	---------

Mating Alignment Type	Polarized
-----------------------	-----------

Mating Alignment	With
------------------	------

Connector Mounting Type	Cable Mount (Free-Hanging)
-------------------------	----------------------------

Housing Features

Housing Material	PA
------------------	----

Centerline (Pitch)	9.2 mm [.362 in]
--------------------	------------------

Dimensions

Connector Height	26.1 mm [1.028 in]
------------------	--------------------

Product Width	8.5 mm [.335 in]
---------------	------------------

Product Length	37 mm [1.457 in]
----------------	------------------

Usage Conditions

Operating Temperature (Max)	70 °C, 75 °C, 80 °C, 85 °C, 90 °C, 100 °C, 105 °C [158 °F][167 °F][176 °F][185 °F][194 °F][212 °F][221 °F]
-----------------------------	--

Operating Temperature Range	-30 – 105 °C [-22 – 221 °F]
-----------------------------	-----------------------------

Operation/Application

Circuit Application	Power
---------------------	-------

Packaging Features

Packaging Method	Box
------------------	-----

Other



Serviceable	No
Connector Position Assurance Capable	No

Product Compliance

[For compliance documentation, visit the product page on TE.com>](#)

EU RoHS Directive 2011/65/EU	Compliant
EU ELV Directive 2000/53/EC	Compliant
China RoHS 2 Directive MIIT Order No 32, 2016	No Restricted Materials Above Threshold
EU REACH Regulation (EC) No. 1907/2006	Current ECHA Candidate List: JUNE 2023 (235) Candidate List Declared Against: JAN 2023 (233) Does not contain REACH SVHC
Halogen Content	Low Halogen - Br, Cl, F, I < 900 ppm per homogenous material. Also BFR/CFR/PVC Free
Solder Process Capability	Not applicable for solder process capability

Product Compliance Disclaimer

This information is provided based on reasonable inquiry of our suppliers and represents our current actual knowledge based on the information they provided. This information is subject to change. The part numbers that TE has identified as EU RoHS compliant have a maximum concentration of 0.1% by weight in homogenous materials for lead, hexavalent chromium, mercury, PBB, PBDE, DBP, BBP, DEHP, DIBP, and 0.01% for cadmium, or qualify for an exemption to these limits as defined in the Annexes of Directive 2011/65/EU (RoHS2). Finished electrical and electronic equipment products will be CE marked as required by Directive 2011/65/EU. Components may not be CE marked. Additionally, the part numbers that TE has identified as EU ELV compliant have a maximum concentration of 0.1% by weight in homogenous materials for lead, hexavalent chromium, and mercury, and 0.01% for cadmium, or qualify for an exemption to these limits as defined in the Annexes of Directive 2000/53/EC (ELV). Regarding the REACH Regulation, the information TE provides on SVHC in articles for this part number is based on the latest European Chemicals Agency (ECHA) 'Guidance on requirements for substances in articles' posted at this URL: <https://echa.europa.eu/guidance-documents/guidance-on-reach>

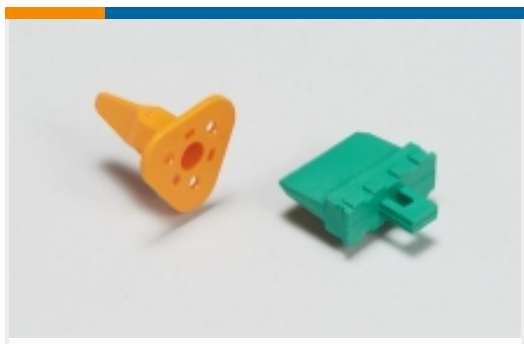
Compatible Parts



Also in the Series | [Timer Connector System](#)



Automotive Connector Caps & Covers (12)



Automotive Connector Locks & Position Assurance(17)



Automotive Housings(235)



Automotive Seals & Cavity Plugs(32)



Automotive Terminals(145)



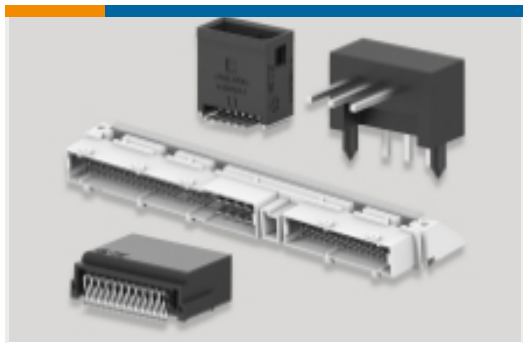
Crimp Terminal Housings(13)



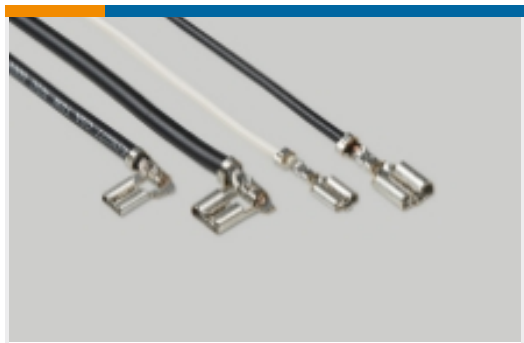
Insertion & Extraction Tools(19)



Other Automotive Connector Accessories(1)

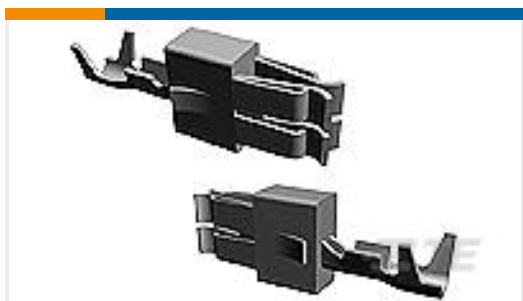


PCB Headers & Receptacles(82)

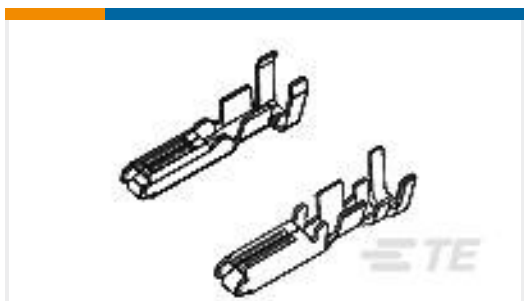


Quick Disconnects(4)

Customers Also Bought



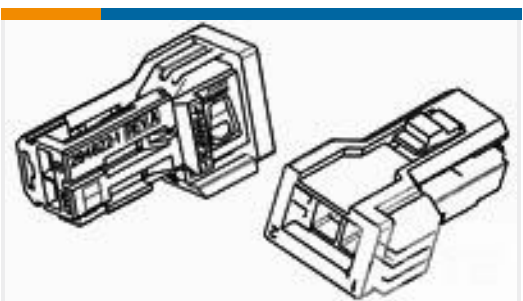
TE Part #927829-1
SPT REC 6.3 Contact SRC Sn



TE Part #282374-1
070 MULTILOK RCPT CONT.



TE Part #282648-2
SPLASH PROOF CONN. W.S.L.2 WAY



TE Part #284820-1
2 pos 070 New Generation



TE Part #4-1488991-1
3POS, MCON 1.2 CB REC 2p TL SEALED



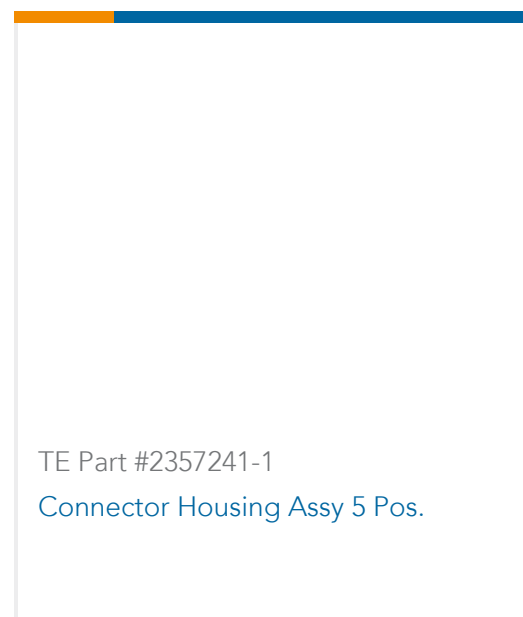
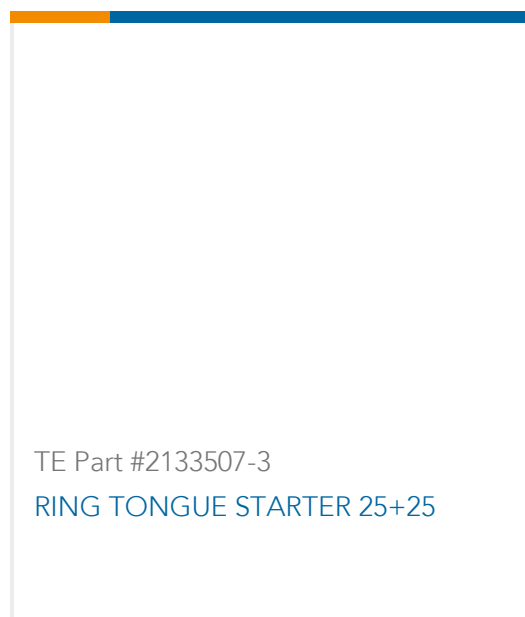
TE Part #6-929264-2
MT2 GEH 6P,ASSY,SW



TE Part #345808-1
.070" RECEPTACLE ECON.3



TE Part #2236047-1
32POS,MIXED,RECEPTACLE CONNECTOR,COD A



Documents

Product Drawings

[3P.CONNECTOR FOR IGNITION KEY](#)

English

CAD Files

[3D PDF](#)

3D

Customer View Model

[ENG_CVM_CVM_284098-1_A.2d_dxf.zip](#)

English

Customer View Model

[ENG_CVM_CVM_284098-1_A.3d_igs.zip](#)

English

Customer View Model

[ENG_CVM_CVM_284098-1_A.3d_stp.zip](#)

English

By downloading the CAD file I accept and agree to the [Terms and Conditions](#) of use.

Datasheets & Catalog Pages

[Timer Interconnection System](#)

English

Product Specifications

[3&4 POS. CONNECTORS FOR IGNITION KEY](#)

English