

Series 15104

Edge Connectors – 1 Sided Boards / Right Angle Mount

SPECIFICATIONS

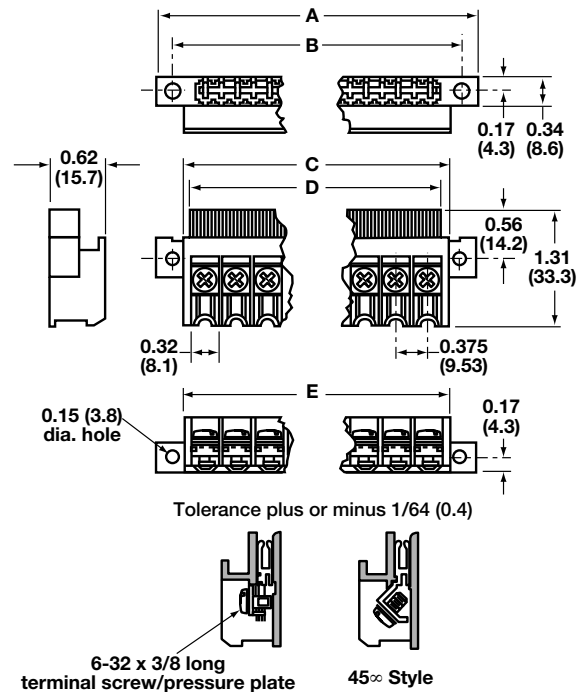
- Rating:** 10A, 300V
- Center Spacing:** 0.375" or 3/8" (9.52mm)
- Wire Range:** #12-22 AWG Cu
- Number of Poles:** 6- to 28-poles
- Screw Size:** #6-32
- Torque Rating:** 12 lb-in
- Terminals:** Pressure plate terminals with screws set at 45° or 90° angle
- PC Board:** Edge contact accepts standard 1/6" (0.0625) PCB
- Contacts:** Tuning fork design of 0.021" thick phosphorus bronze with 0.0001" bright tin-plating
- Material:** Black, UL Rated 94V0 Thermoplastic
- Operating Temperature:** 95°C max.
- Agency Information:** UL File E62622, CSA File 47235



| Poles | A | B | C | D | E | Board Width |
|-------|-------|-------|-------|-------|-------|-------------|
| 06 | 3.00 | 2.62 | 2.00 | 2.16 | 2.36 | 1.99 |
| 08 | 3.75 | 3.37 | 2.75 | 2.91 | 3.11 | 2.74 |
| 10 | 4.50 | 4.12 | 3.50 | 3.66 | 3.86 | 3.49 |
| 12 | 5.25 | 4.87 | 4.25 | 4.41 | 4.61 | 4.24 |
| 14 | 6.00 | 5.62 | 5.00 | 5.16 | 5.36 | 4.99 |
| 16 | 6.75 | 6.37 | 5.75 | 5.91 | 6.11 | 5.74 |
| 18 | 7.50 | 7.12 | 6.50 | 6.66 | 6.86 | 6.49 |
| 20 | 8.25 | 7.87 | 7.25 | 7.41 | 7.61 | 7.23 |
| 22 | 9.00 | 8.62 | 8.00 | 8.16 | 8.36 | 7.98 |
| 24 | 9.75 | 9.37 | 8.75 | 8.91 | 9.11 | 8.73 |
| 26 | 10.50 | 10.12 | 9.50 | 9.66 | 9.86 | 9.48 |
| 28 | 11.25 | 10.87 | 10.25 | 10.41 | 10.61 | 10.23 |

Dimensions - in (mm)

15104 Series



* Dimensions in inches. To convert to millimeters, multiply by 25.4. Integral standoffs for mounting marker strips - consult factory.

Part Numbering System

| | | | | |
|---------------|----------------------------|--------------------------------|----------------------|----------------------------------|
| Series | Poles | Terminal | Plating | Screw |
| 15104 | □□ | □ | □ | □ |
| | 06 to 28 (Increments of 2) | 1 - 90° angle 2 - 45° angle | T - Tin G - Gold* | 1 - #6-32 pan head. w/wire clamp |

* Consult Factory

Terminal Blocks: Single Row

EuroMag Series

Edge Connectors, One-Sided Boards

Compliance References