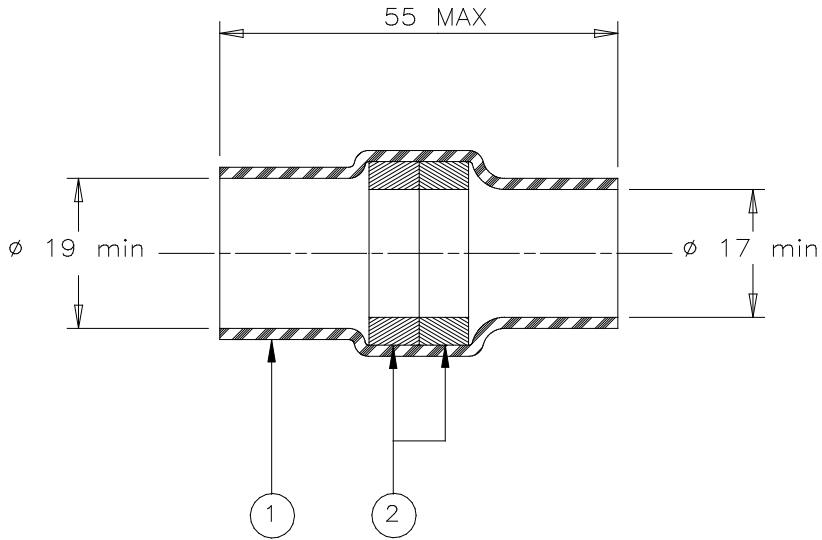


CUSTOMER DRAWING



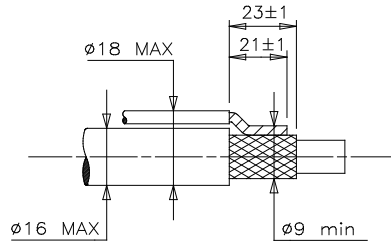
MATERIALS

- 1. INSULATION SLEEVE: Heat-shrinkable, transparent clear, radiation cross-linked modified polyolefin.
- 2. SOLDER PREFORM WITH FLUX:
 - SOLDER: TYPE Cd18 per ANSI-J-STD-006.
 - FLUX: TYPE ROM1 per ANSI-J-STD-004.

APPLICATION

- 1. These controlled soldering devices will terminate a ground wire to the tin-plated or bare copper shield of an electrical cable whose insulation is rated at 105°C or higher.
- 2. Temperature range: -55°C to +125°C. For application tooling, consult your local Raychem technical service.

For best results, prepare the cable as shown:



TE Connectivity, TE connectivity (logo), Raychem, Thermofit, and SolderSleeve are trademarks

		Raychem THERMOFIT DEVICES		TITLE: SOLDERSLEEVE DEVICE, SHIELD TERMINATION - LOW TEMPERATURE							
UNLESS OTHERWISE SPECIFIED DIMENSIONS ARE IN MILLIMETERS.				DOCUMENT NO. B-051-00-04							
TOLERANCES: 0.00 N/A 0.0 N/A 0 N/A		ANGLES: N/A ROUGHNESS IN MICRON		TE Connectivity reserves the right to amend this drawing at any time. Users should evaluate the suitability of the product for their application.		Revision: C		Issue Date: April 2020			
DRAWN BY: M. FORONDA		DATE: 06/15/98		ECO: ECO-20-004959		SCALE: None		SIZE: A		SHEET: 1 of 1	