

4

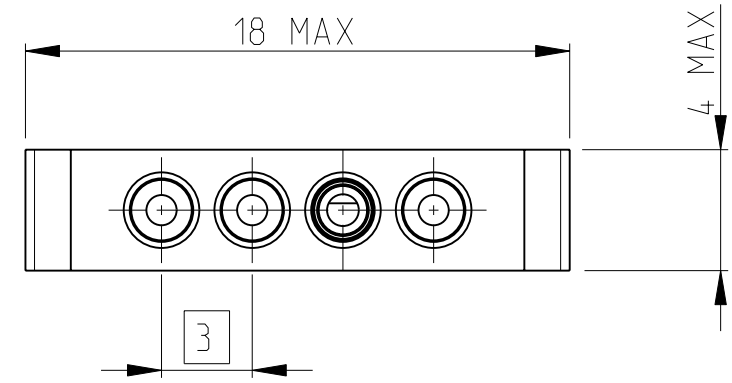
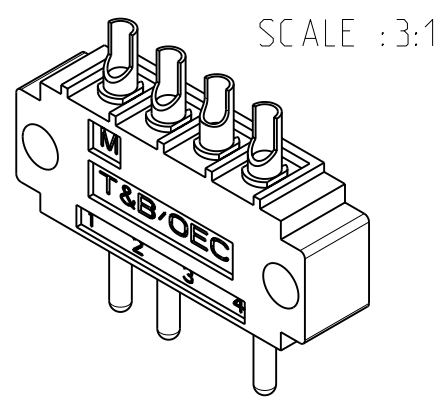
3

2

1

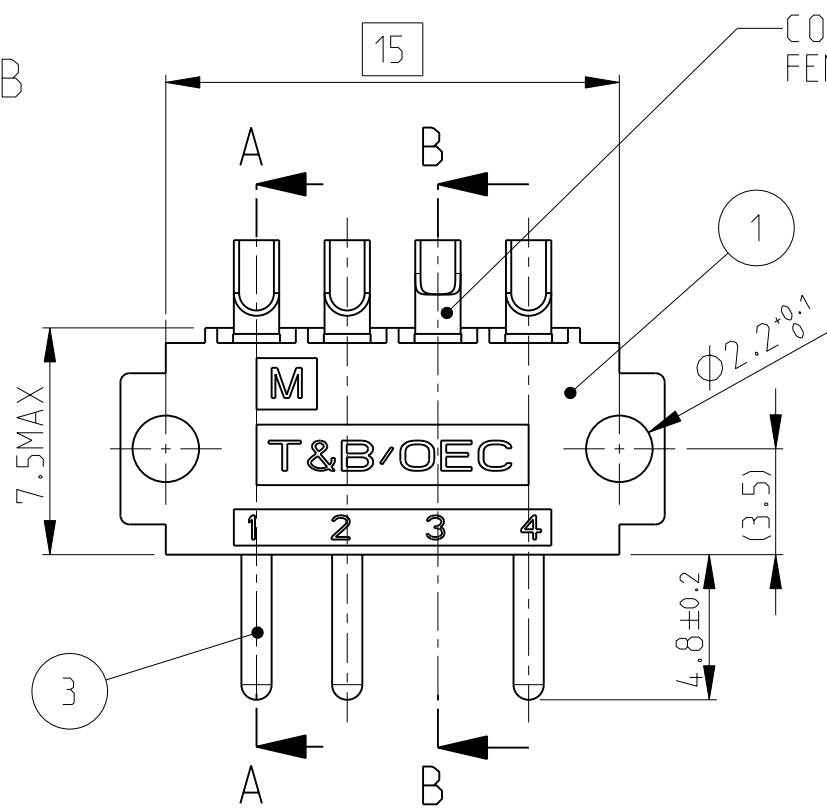
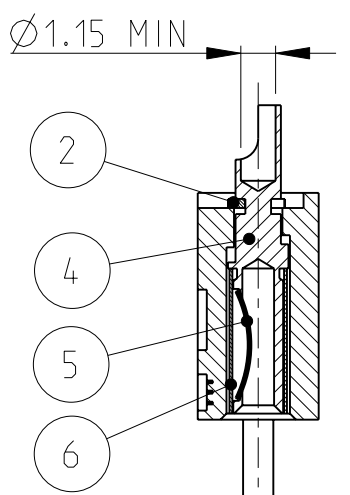
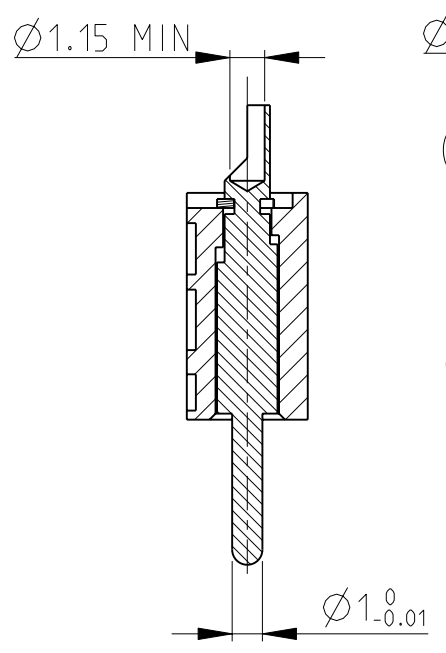
THIS DRAWING IS UNPUBLISHED. RELEASED FOR PUBLICATION 20
 © COPYRIGHT 20 BY TYCO ELECTRONICS CORPORATION. ALL INTERNATIONAL RIGHTS RESERVED.

LOC	DIST	REVISIONS			
P	LTR	DESCRIPTION	DATE	DWN	APVD
F	00	A	PRIMARY RELEASE	8JUL2010	JT YP
		B	CLARIFICATION	09JUL2010	JT YP
		C	ADD DIM 3.5	05APR2012	JT YP



SECTION A-A

SECTION B-B



CONTACT FEMELLE POUR DETROMPAGE
 FEMALE CONTACT FOR POLARIZATION

P/N 1437349-7

FINITION FINISH	MATIERE MATERIAL	DESIGNATION DESCRIPTION	REP ITEM
OR/NICKEL GOLD/NICKEL	LAITON BRASS	TUBE	6
OR/NICKEL GOLD/NICKEL	CuBe2	RESSORT SPRING	5
OR/NICKEL GOLD/NICKEL	LAITON BRASS	CONTACT FEMELLE FEMALE CONTACT	4
OR/NICKEL GOLD/NICKEL	LAITON BRASS	CONTACT MALE MALE CONTACT	3
OR/NICKEL GOLD/NICKEL	BRONZE	CLIP	2
-	PBT	ISOLANT S4 MALE S4 MALE HOUSING	1

<small>THIS DRAWING IS A CONTROLLED DOCUMENT FOR TYCO ELECTRONICS CORPORATION IT IS SUBJECT TO CHANGE AND THE CONTROLLING ENGINEERING ORGANIZATION SHOULD BE CONTACTED FOR THE LATEST REVISION.</small>		DWN 06JUL2010 CHK J.THUEZ 08.JUL2010 APVD Y.PETRONIN 08.JUL2010		Tyco Electronics France SAS 95300 Pontoise, France				
DIMENSIONS: mm 		TOLERANCES UNLESS OTHERWISE SPECIFIED: 0 PLC ± 1 PLC ±0.5 2 PLC ±0.13 3 PLC ±0.013 4 PLC ±0.0001 ANGLES ±		NAME CONNECTOR CRS-SC4M-3F PRODUCT SPEC - APPLICATION SPEC - WEIGHT -				
MATERIAL TABLE FINISH TABLE		SIZE A3 CAGE CODE 00779 DRAWING NO C-1437349-7		RESTRICTED TO -				
CUSTOMER DRAWING			SCALE 4:1		SHEET 1 OF 1		REV C	