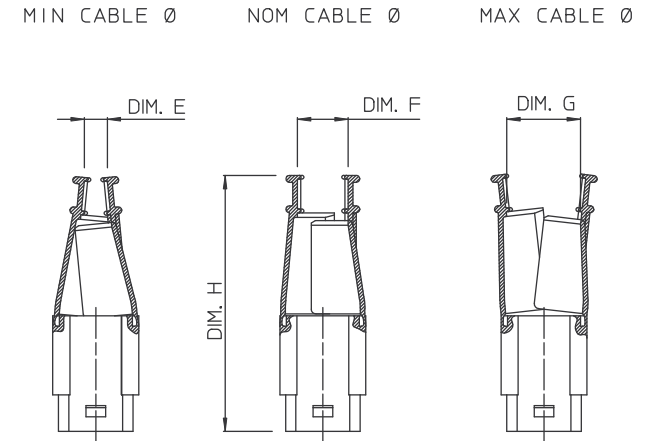
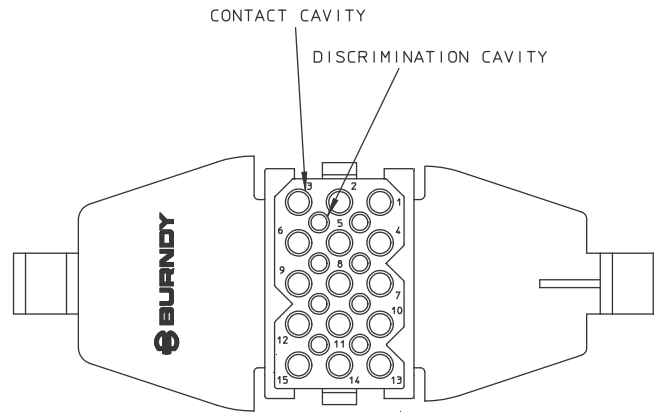
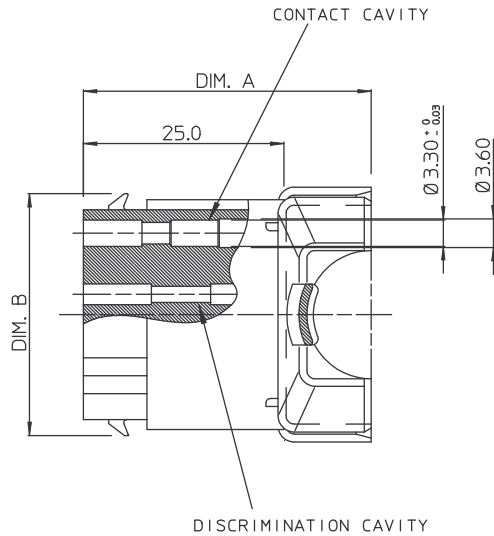


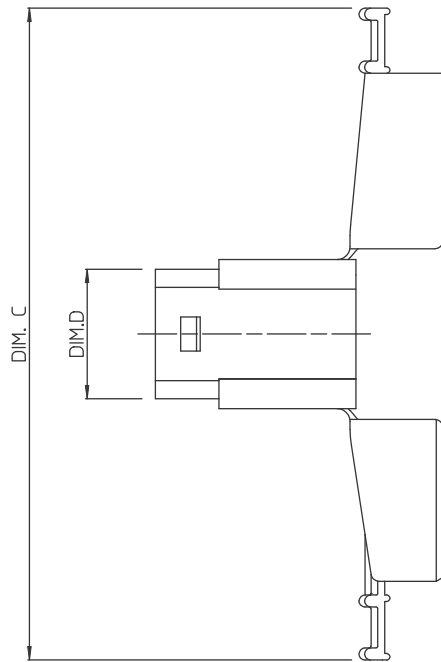
GEN. ST.	01	02	03	04	05	06	07	08	0D	50	60	70	80	90	REV.	DATE	DESCRIPTION	BY	C'K'D'																	
INT. ST.	10	11	12	13	14	18	20	31	32	33	34	38	39	40	42	43	44	45	46	48	56	70	72	73	75	76	81	82	83	84	88	01	05.05.95	MARKING COMPLETED	G.D.	



**MATERIAL**  
POLYAMIDE 6.6 / UL94-V2 / COLOUR: BLACK

**PERFORMANCE CHARACTERISTICS**  
OPERATING TEMPERATURE: -55°C TO 105°C  
INSULATION RESISTANCE: 5000 MΩ MIN.  
TEST POTENTIAL : 2000 VAC  
DURABILITY : 500 CYCLES

- NOTES**
- CONNECTOR ACCEPTS TRIM TRIO FORMED, MACHINED AND SUBMINIATURE COAXIAL PIN AND SOCKET CONTACTS.
  - CONTACTS TO BE ORDERED SEPERATELY: REFER TO TRIM TRIO CATALOG.
  - RAISED CONTACT MARKING ON BOTH: MATING AND WIRING FACE.
  - FOR LOCKING OF STRAIN RELIEF HOOD, USE UNIRAP CABLE TIE (SEE TABLE BELOW).
  - DISCRIMINATION WITH PINS IS GUARANTEED WITHOUT LOSS OF CONTACT POSITIONS. IF DISCRIMINATION PINS ARE NEEDED: ORDER SMSPK3 PER BS,C ,201424.003
  - FOR THE CONFIGURATION OF ALL SIZES SEE DRAWING : BS,C ,201424.010.
  - FOR INTERMATEABILITY WITH OTHER PARTS SEE DRAWING : BS,C ,201424.011.



CATALOG NUMBER	QUANTITY OF CONTACT CAVITIES	QUANTITY OF DISCRIMINATION CAVITIES	DIMENSIONS IN MM								RECOMMENDED UNIRAP CABLE TIE
			A	B	C	D	E (Ø)	F (Ø)	G (Ø)	H	
SMS2RDH1	2	0	31.6	9.9	64.8	11.1	0.5	7.4	8.4	49.2	TF-4BKD
SMS3RDH1	3	0	35.1	9.9	69.0	16.2	0.8	4.1	7.3	49.1	TF-4BKD
SMS4RDH1	4	0	38.2	9.9	74.4	21.2	1.5	5.4	10.0	49.2	TF-4BKD
SMS6RDH1	6	2	34.6	15.0	72.6	16.2	1.7	6.8	9.2	50.9	TF-4BKD
SMS9RDH1	9	4	35.8	20.0	75.3	16.2	3.9	9.3	14.3	52.2	TF-5BKD
SMS12RDH1	12	6	38.1	25.1	72.0	16.2	4.0	10.0	15.0	52.7	TF-5BKD
SMS15RDH1	15	8	35.9	30.2	81.3	16.2	5.0	11.0	16.2	55.2	TF-5BKD
SMS18RDH1	18	10	36.1	35.3	81.3	16.2	5.8	12.5	20.3	55.2	TF-5BKD
SMS24RDH1	24	15	39.7	35.3	90.4	21.2	7.1	12.4	20.4	57.2	TF-5BKD
SMS36RDH1	36	24	54.6	25.1	128.0	46.6	8.8	13.0	24.5	63.3	TF-5BKD

**RELEASED FOR PRODUCTION**

1DEC ±0.2 1DEC 2DEC ±0.1 2DEC ANGLES ±1° HOEKEN	<b>APPR.</b>	<b>DATE</b>	<b>SIGN.</b>	QIKMATE REC. WITH MOULDED-ON HOOD AND DISC. CAV.
WE RESERVE THE RIGHT TO CHANGE DIMENSIONS OR REQUIREMENTS WITHOUT PRIOR NOTICE.	DRAFT	18-04-94	G. DROESBEKE	<b>CAT. No.</b> SMS--RDH1
ALL DIMENSIONS IN MM	CHECKED			SOURIAU Route Nationale 23 72470 CHAMPAGNE
ALLE AFMETINGEN IN MM	PR. ENG. MGR.			
	PR. MGT. MGR.			BS,C ,201424,009,01 DRAWING No. CUSTOMER DRAWING
	<b>REFERENCES / REFERENTIES</b>			

THIS IS OUR EXCLUSIVE PROPERTY. IT IS NOT TO BE COPIED, REPRINTED OR DISCLOSED TO A THIRD PARTY, NOR USED FOR MANUFACTURING WITHOUT OUR WRITTEN CONSENT, AND HAS TO BE RETURNED TO US IN CASE OF NO USAGE

DIT IS ONZE EIGENDOM EN MAG NIET NAGEMAKT. HERDRUKT, OVERGEMAKT AAN DERDEN, NOCH VOOR FABRIKATIE GEBRUIKT WORDEN. ZONER ONZE SCHRIFTELIJKE TOELATING, BIJ NIET GEBRUIK IS TERUGZENDING VERPLICHT.