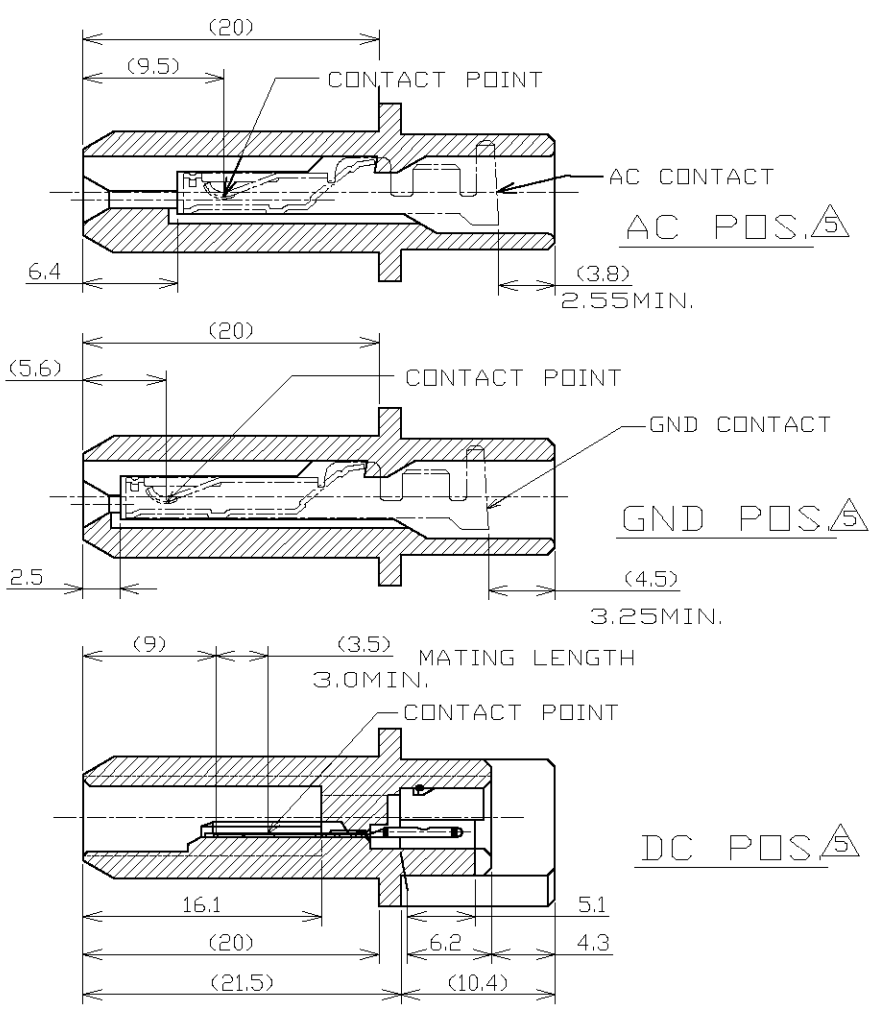
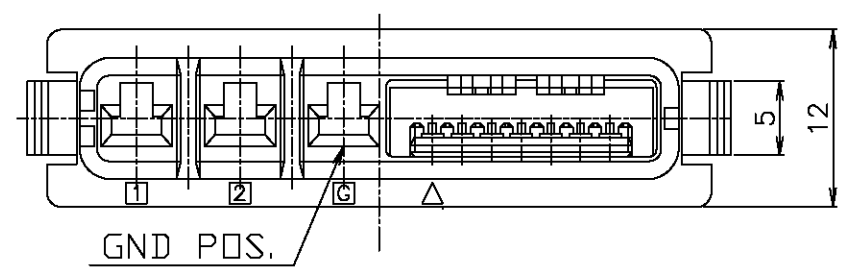
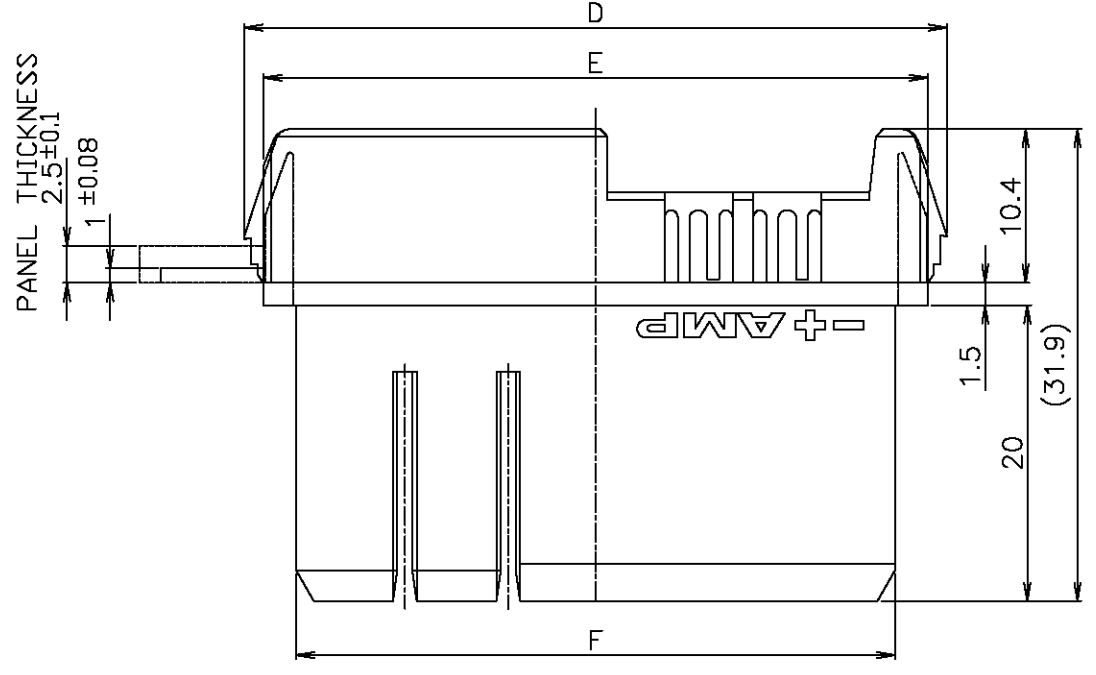
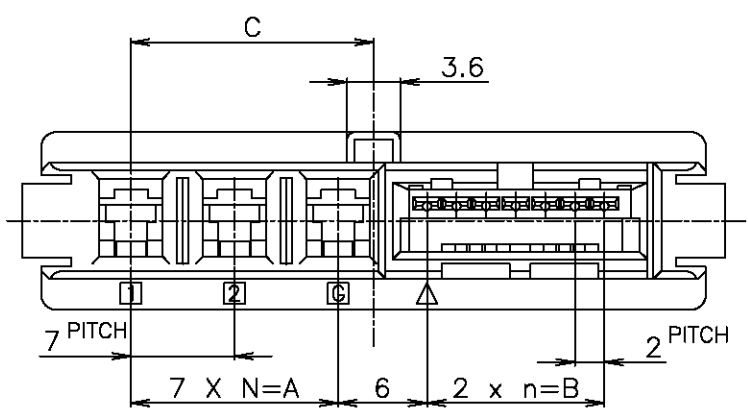


THIS DRAWING IS UNPUBLISHED. RELEASED FOR PUBLICATION
 © COPYRIGHT BY TYCO ELECTRONICS CORPORATION. ALL RIGHTS RESERVED.

LOC	DIST	REVISIONS			
P	LTR	DESCRIPTION	DATE	DWN	APVD
ES	00	B	REVISED FB00-0217-04	16DEC04	H.H I.E



NOTES

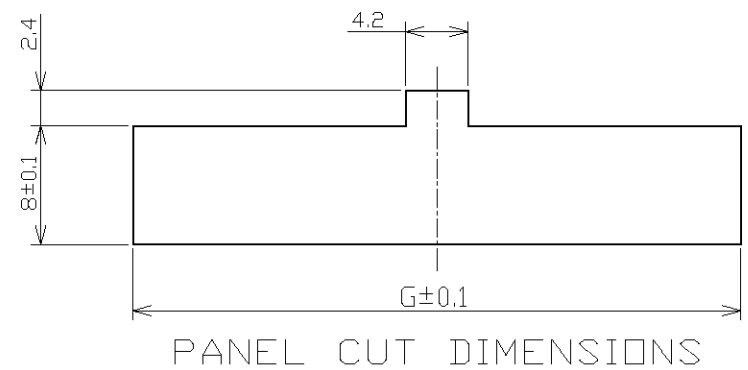
- MATERIAL
HOUSING: THERMO PLASTIC (BLACK)
CONTACT: COPPER ALLOY
- CONTACT FINISH
MATING SIDE: NICKEL PL.
ALL OVER GOLD PL.
CT MATING SIDE: NICKEL PL.
ALL OVER MATTE TIN PL.
- APPLIED AC CONTACT P/N

FINISH	AWG	P/N
TIN PL.	#16~20	1-179316-2
Au PL.	#16~20	179316-4

- APPLIED GND CONTACT P/N

FINISH	AWG	P/N
TIN PL.	#16~20	1-316458-2
Au PL.	#16~20	316458-4

△ AC: POWER CONTACT (UNLOADED)
 GND: GROUND CONTACT (UNLOADED)
 DC: SIGNAL CONTACT (PRELOADED)



MT TYPE: 173977-7	2-292189-3	45.1	40.5	44.9	47.5	16.4	12	14	6	2	DC7 GND1 AC2	1-292192-3
CLIMPII TYPE: 178228-7												
APPLIED CT CONN P/N	MATING COUNTER P/N	G	F	E	D	C	B	A	n	N	POS	PART NO.

THIS DRAWING IS A CONTROLLED DOCUMENT.

DWN	J.JIANG	05FEB03	 Tyco Electronics Corporation Shanghai, P.R.China, 200233
CHK	S.YAO	05FEB03	
APVD	T.SASAKI	05FEB03	
PRODUCT SPEC	108-60023		
APPLICATION SPEC			NAME
CUSTOMER DRAWING			HYBRID SF DRAWER CONN. RECEPTACLE ASSEMBLY
MATERIAL	FINISH	WEIGHT	SIZE
			A3
			CAGE CODE
			00779
			DRAWING NO
			C-292192
			RESTRICTED TO
			-
			SCALE
			2:1
			SHEET
			1 OF 1
			REV
			B