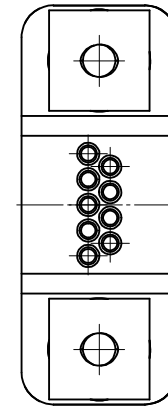
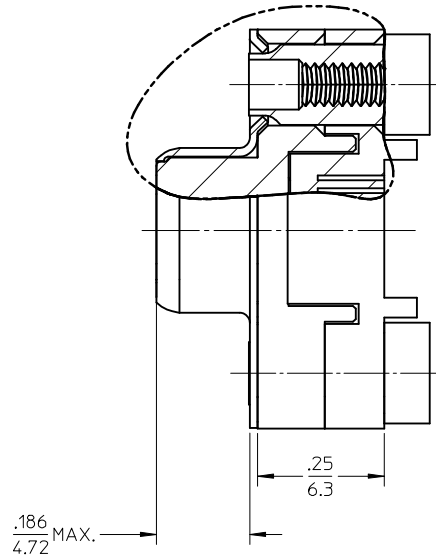
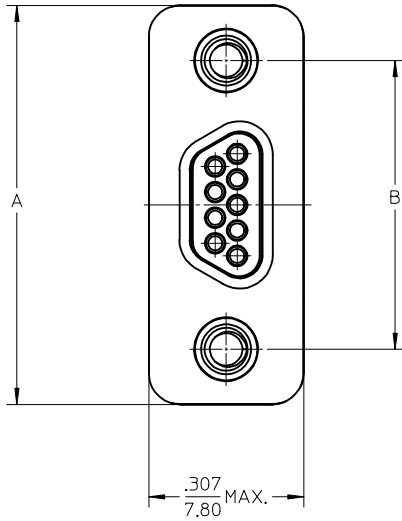


MATERIAL NO.	ENGINEERING NO.	SIZE	A	B
834119110	83411-9110	9	.783	.565
834129019	83412-9019	15	.933	.715
834149021	83414-9021	25	1.183	.965



SIZE 9 SHOWN

SALES DRAWING

- MARKING: NONE
- TO BE USED WITH 830009560 CONTACT (LOOSE PIECE)  
830009561 CONTACT (2.5K REEL)

UPDATED EC NO: IPG2014-2197 DRWNGGUSTAFSON 2014/06/30 CHKD:BRUPERT 2014/07/18 APPR:BMOODMAN 2014/07/28	DESCRIPTION REV	QUALITY SYMBOLS	GENERAL TOLERANCES (UNLESS SPECIFIED)	DIMENSION STYLE	SCALE	DESIGN UNITS	THIRD ANGLE PROJECTION																																	
		$\nabla = 0$ $\square = 0$	<table border="1"> <thead> <tr> <th></th> <th>mm</th> <th>INCH</th> </tr> </thead> <tbody> <tr> <td>4 PLACES</td> <td>± ---</td> <td>± ---</td> </tr> <tr> <td>3 PLACES</td> <td>± ---</td> <td>± .005</td> </tr> <tr> <td>2 PLACES</td> <td>± 0.13</td> <td>± .01</td> </tr> <tr> <td>1 PLACE</td> <td>± 0.25</td> <td>± ---</td> </tr> </tbody> </table>		mm	INCH	4 PLACES	± ---	± ---	3 PLACES	± ---	± .005	2 PLACES	± 0.13	± .01	1 PLACE	± 0.25	± ---	<table border="1"> <thead> <tr> <th>IN/MM</th> <th>DRAWN BY</th> <th>DATE</th> <th>TITLE</th> </tr> </thead> <tbody> <tr> <td></td> <td>JLOMASTR</td> <td>04/10/13</td> <td rowspan="2">COMMERCIAL MICRO D PIN ASS'Y CRIMP AND POKE SIZE 9, 15, 25</td> </tr> <tr> <td></td> <td>RDEROSS</td> <td>04/10/14</td> </tr> <tr> <td></td> <td>RDEROSS</td> <td>04/10/15</td> <td rowspan="2">MOLEX INCORPORATED</td> </tr> <tr> <td></td> <td></td> <td></td> </tr> </tbody> </table>	IN/MM	DRAWN BY	DATE	TITLE		JLOMASTR	04/10/13	COMMERCIAL MICRO D PIN ASS'Y CRIMP AND POKE SIZE 9, 15, 25		RDEROSS	04/10/14		RDEROSS	04/10/15	MOLEX INCORPORATED				4:1	INCH	
			mm	INCH																																				
		4 PLACES	± ---	± ---																																				
3 PLACES	± ---	± .005																																						
2 PLACES	± 0.13	± .01																																						
1 PLACE	± 0.25	± ---																																						
IN/MM	DRAWN BY	DATE	TITLE																																					
	JLOMASTR	04/10/13	COMMERCIAL MICRO D PIN ASS'Y CRIMP AND POKE SIZE 9, 15, 25																																					
	RDEROSS	04/10/14																																						
	RDEROSS	04/10/15	MOLEX INCORPORATED																																					
		<table border="1"> <thead> <tr> <th>SIZE</th> <th>MATERIAL NO.</th> <th>DOCUMENT NO.</th> <th>SHEET NO.</th> </tr> </thead> <tbody> <tr> <td>A3</td> <td></td> <td>SD-83411-006</td> <td>1 OF 1</td> </tr> </tbody> </table>	SIZE	MATERIAL NO.	DOCUMENT NO.	SHEET NO.	A3		SD-83411-006	1 OF 1	DRAFT WHERE APPLICABLE MUST REMAIN WITHIN DIMENSIONS	THIS DRAWING CONTAINS INFORMATION THAT IS PROPRIETARY TO MOLEX INCORPORATED AND SHOULD NOT BE USED WITHOUT WRITTEN PERMISSION																												
SIZE	MATERIAL NO.	DOCUMENT NO.	SHEET NO.																																					
A3		SD-83411-006	1 OF 1																																					