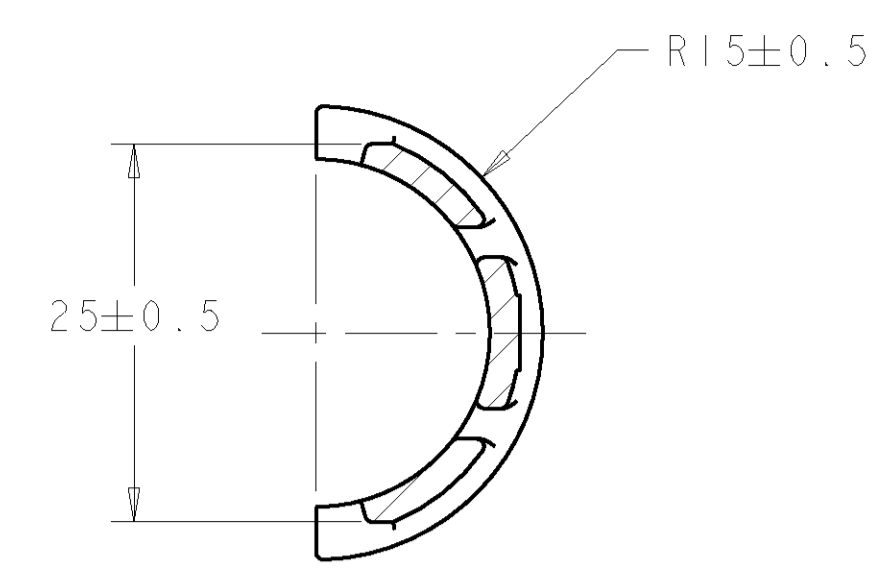
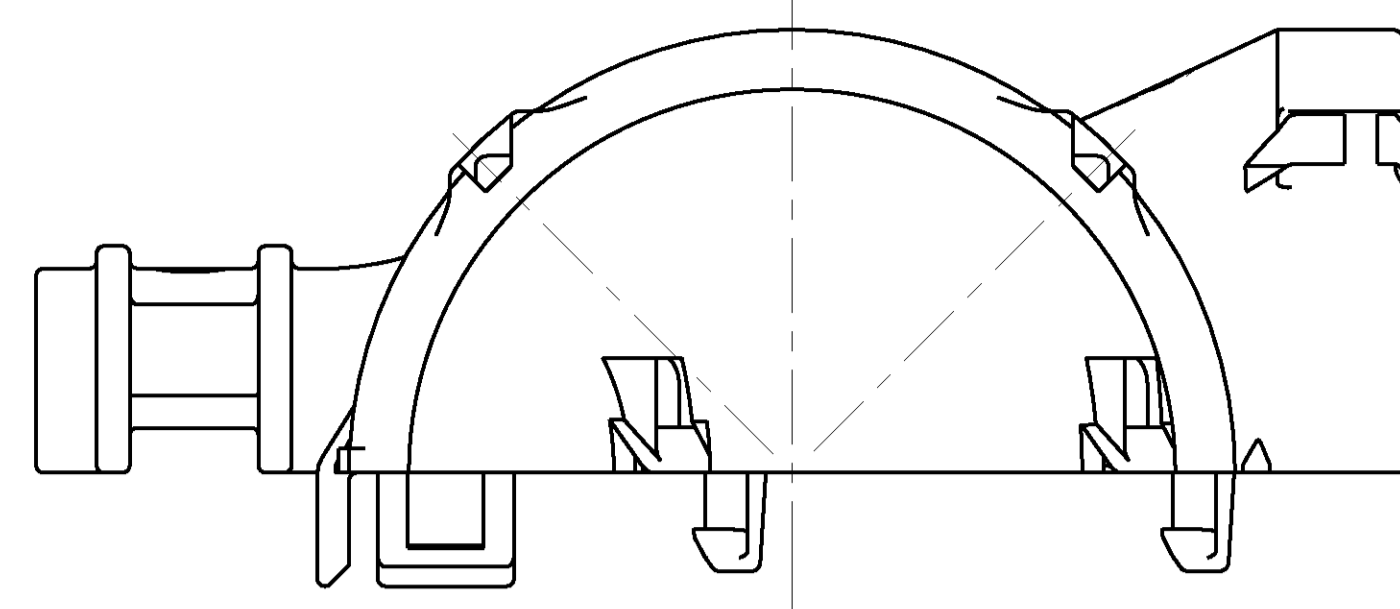
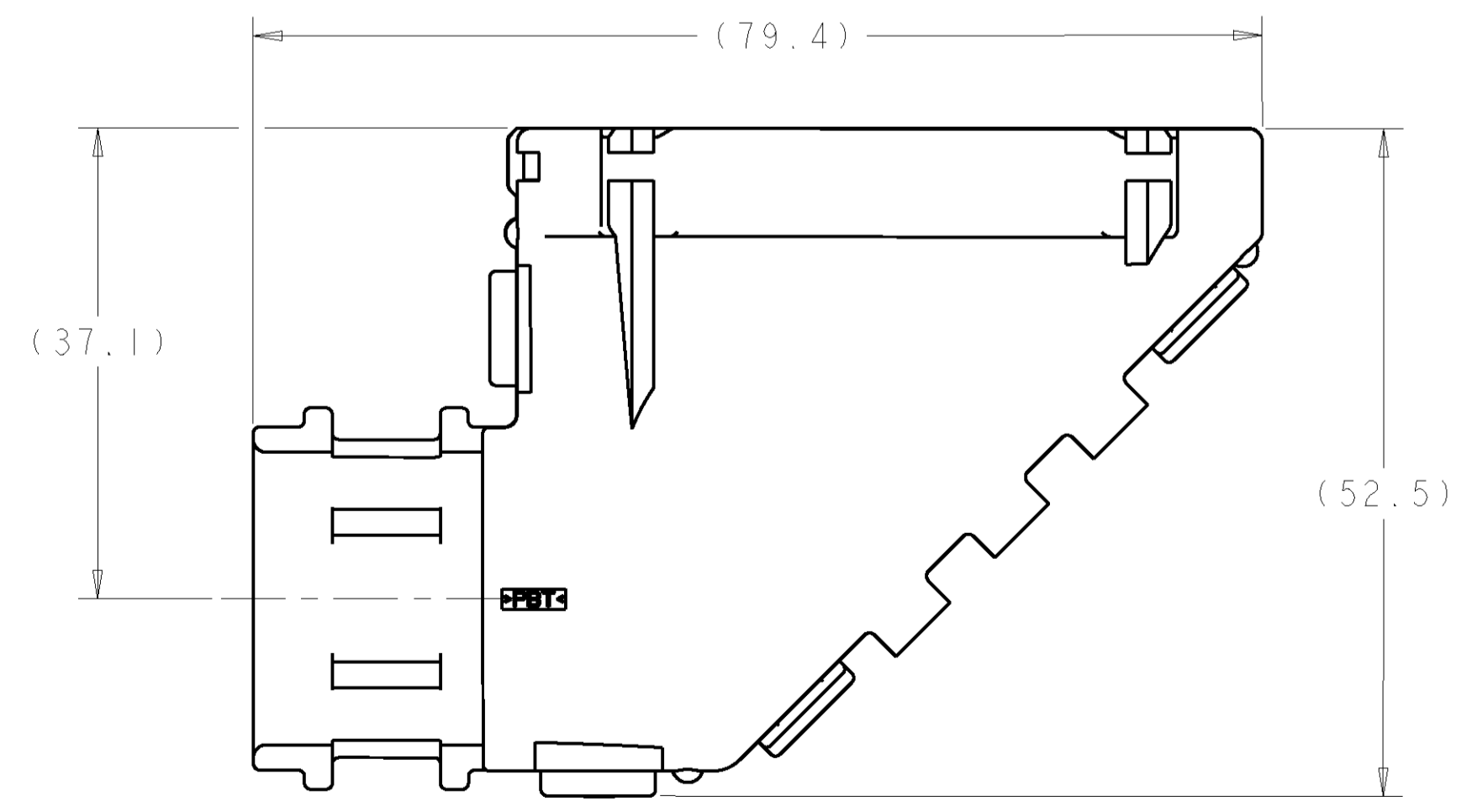
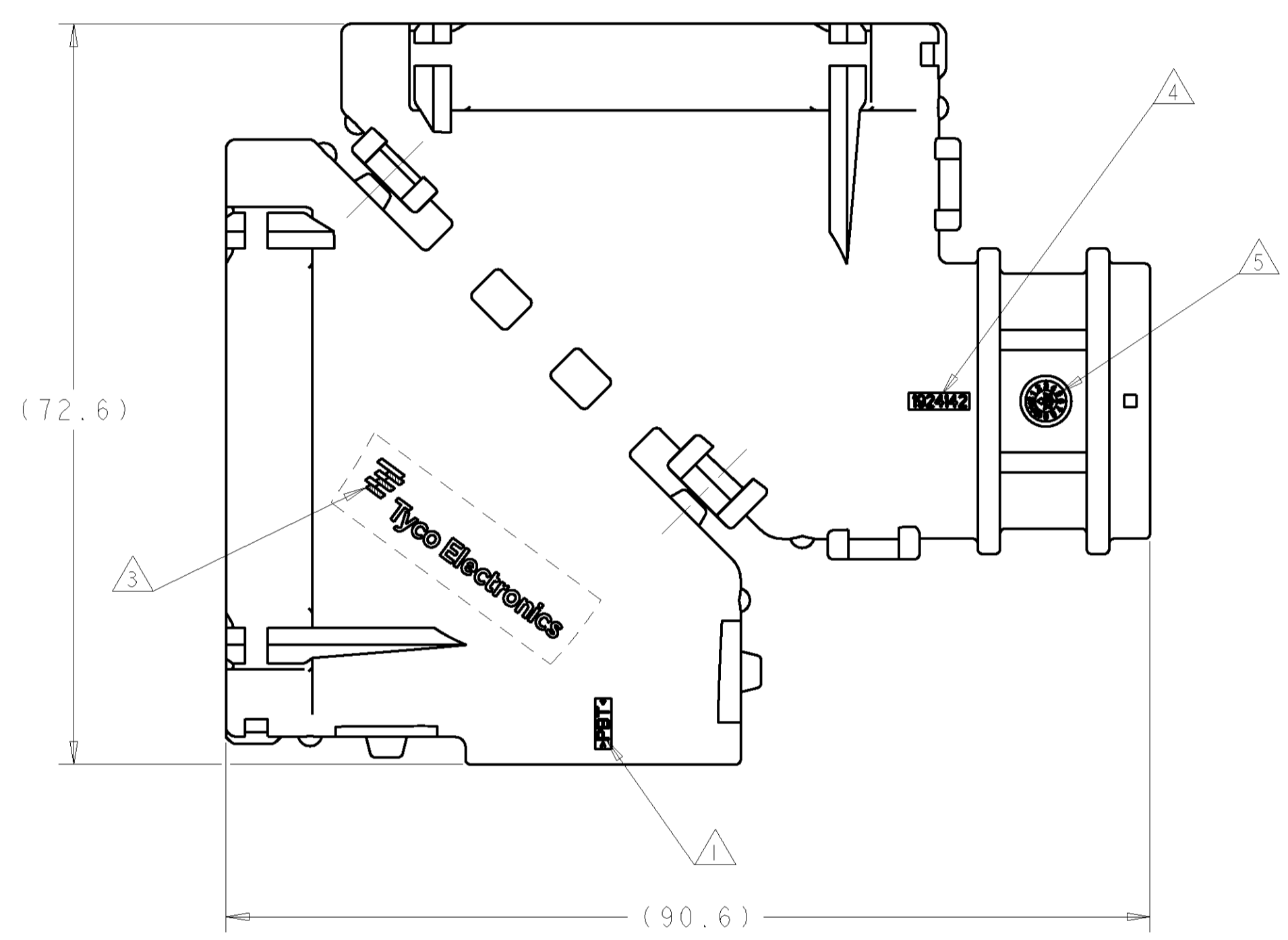
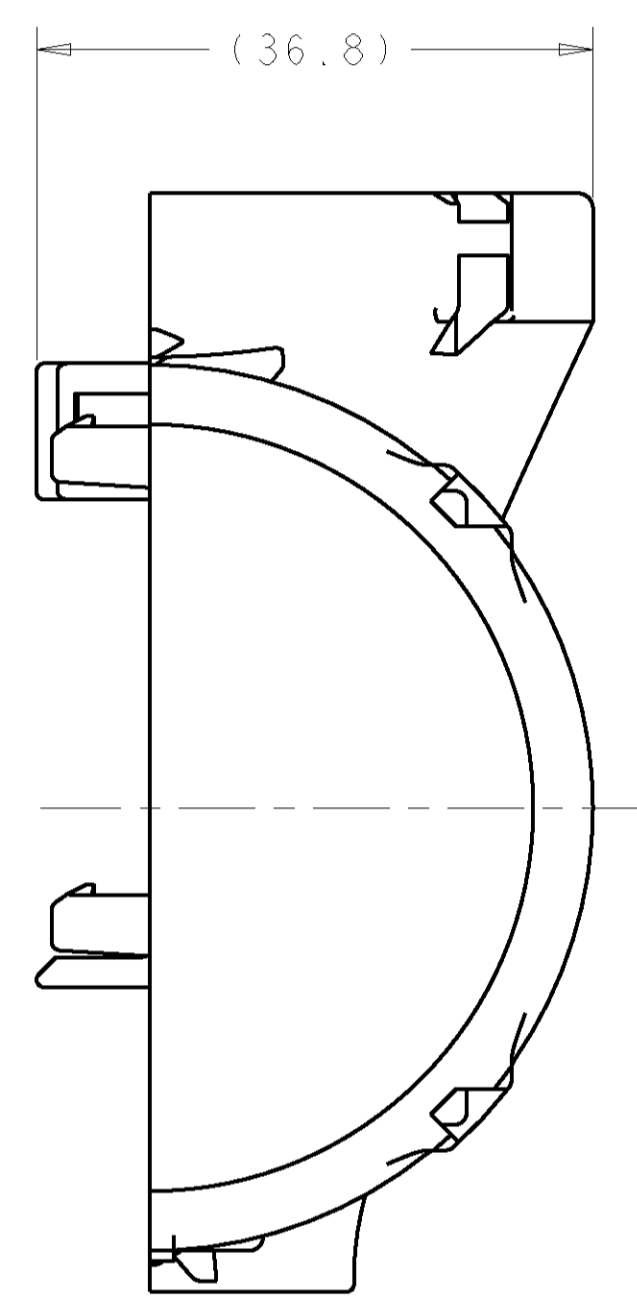
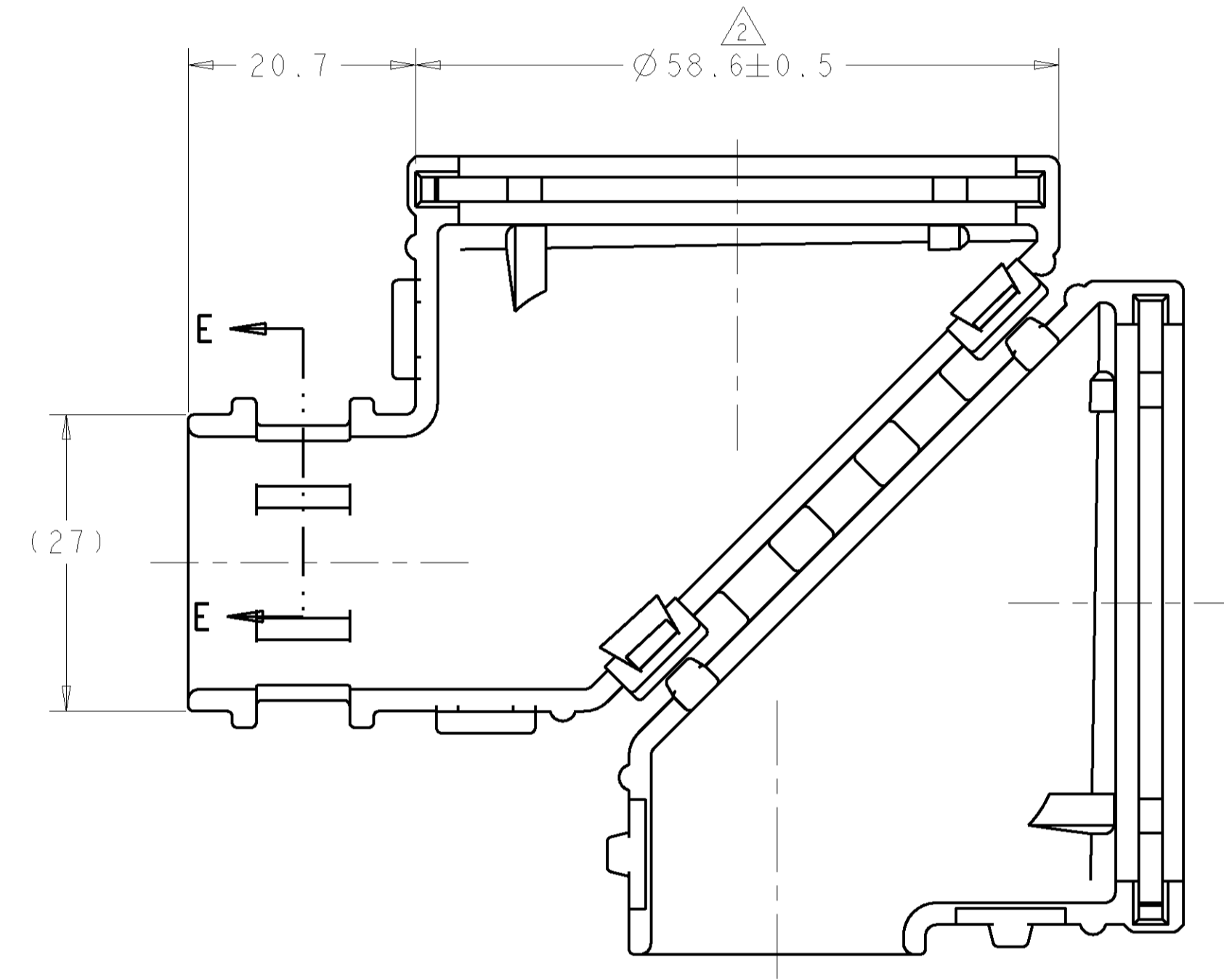


LOC		DIST		REVISIONS			
F	LTR	DESCRIPTION	DATE	DWN	APVD		
A		RELEASED PER ECR 07-014285	15JUN2007	DLD	SC		

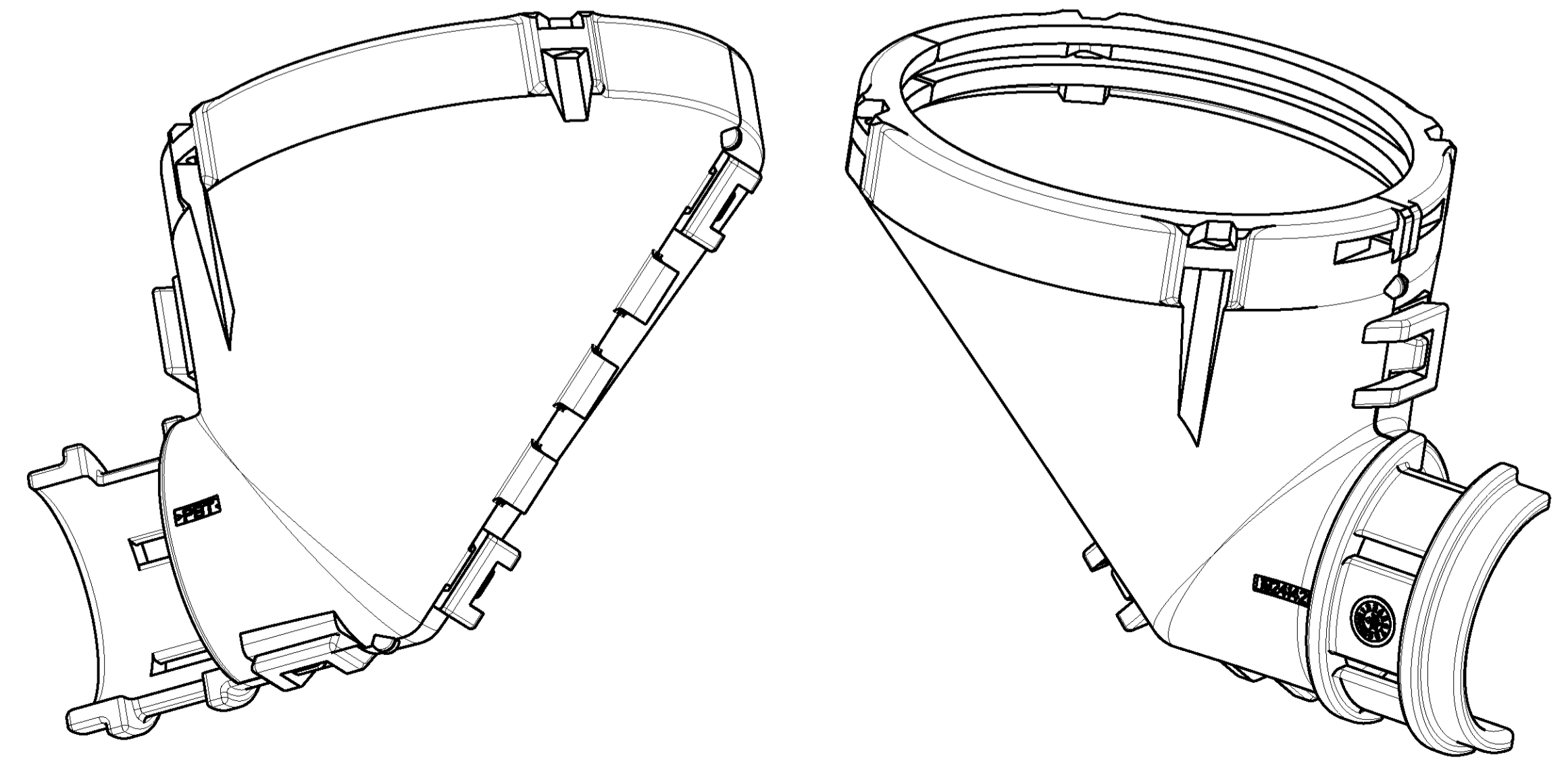


SECTION E-E

- 1 MATERIAL IDENTIFICATION TO BE LOCATED APPROXIMATELY AS SHOWN.
- 2 WARPAGE UP TO ±0.8mm.
- 3 TYCO ELECTRONICS LOGO LOCATED APPROXIMATELY AS SHOWN.
- 4 MOLD TYCO P/N, LOCATED APPROXIMATELY AS SHOWN.
- 5 MOLD DATE CODE USING MONTH AND YEAR CLOCK RECESSED 0.20 MAX. LOCATED APPROXIMATELY AS SHOWN.



FOLDED VIEW



1924142-1
PART NUMBER

<small>THE INFORMATION CONTAINED HEREIN IS UNCLASSIFIED UNLESS INDICATED OTHERWISE. IT IS SUBJECT TO CHANGE AND WITHOUT WARRANTY AND ENGINEERING ORGANIZATION SHALL BE CONTACTED FOR THE LATEST NOTATION.</small>		DWN: R VESTAL 08NOV2006 CHK: S CROSS 08NOV2006 APVD: S CROSS 08NOV2006	Tyco Electronics Harrisburg, PA 17105-3608
DIMENSIONS: mm 		TOLERANCES UNLESS OTHERWISE SPECIFIED: 0 PLC ±0.3 1 PLC ±0.3 2 PLC ±0.20 3 PLC ± 4 PLC ± ANGLES ±0°	NAME: WIRE COVER, 90 DEGREE, 31 POSITION, CONNECTOR SIZE: A 00779 C=1924142 RESTRICTED TO: -
MATERIAL: PBT FINISH: BLACK		WEIGHT: - CUSTOMER DRAWING	SCALE: 2:1 SHEET 1 OF 1 REV A