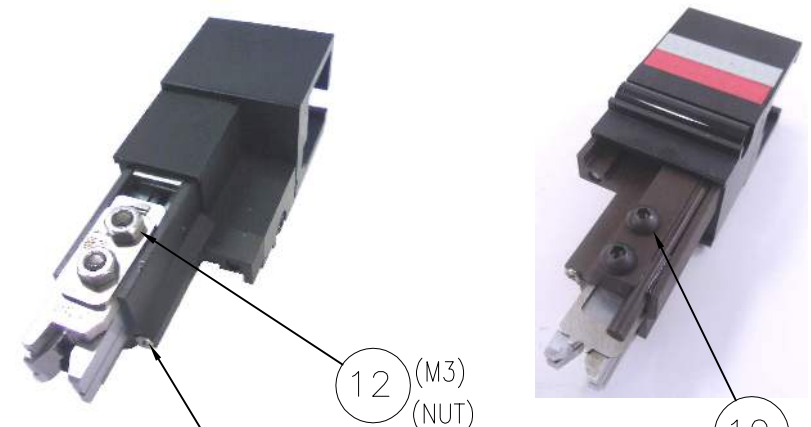


THIS DRAWING IS UNPUBLISHED. RELEASED FOR PUBLICATION
 © COPYRIGHT - By Tyco Electronics Japan G.K. ALL RIGHTS RESERVED.

LOC	DIST	REVISIONS					
		P	LTR	DESCRIPTION	DATE	DWN	APVD
J	-	A1	ECR-13-009444	ADDED -6 TO 1-3	10JUN2013	S.N	J.K

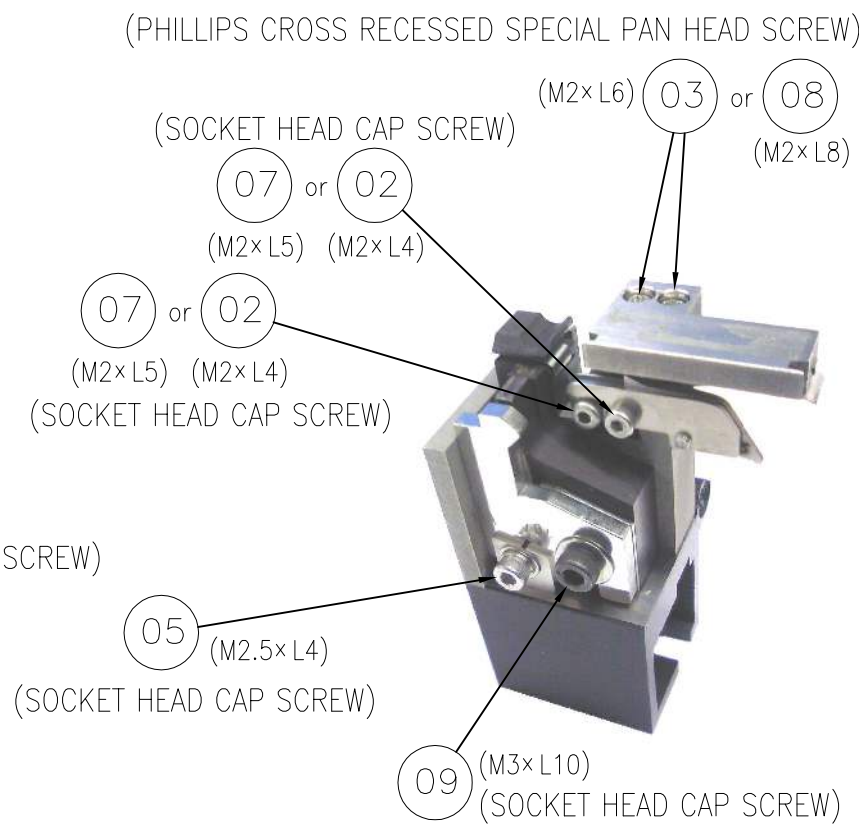
D

D



12 (M3)
(NUT)
01 or 06
(M2×L3) (M2×L3×φ3.3)

10 or 11
(M3×L18) (M3×L20)
(SOCKET BUTTON HEAD CAP SCREW)

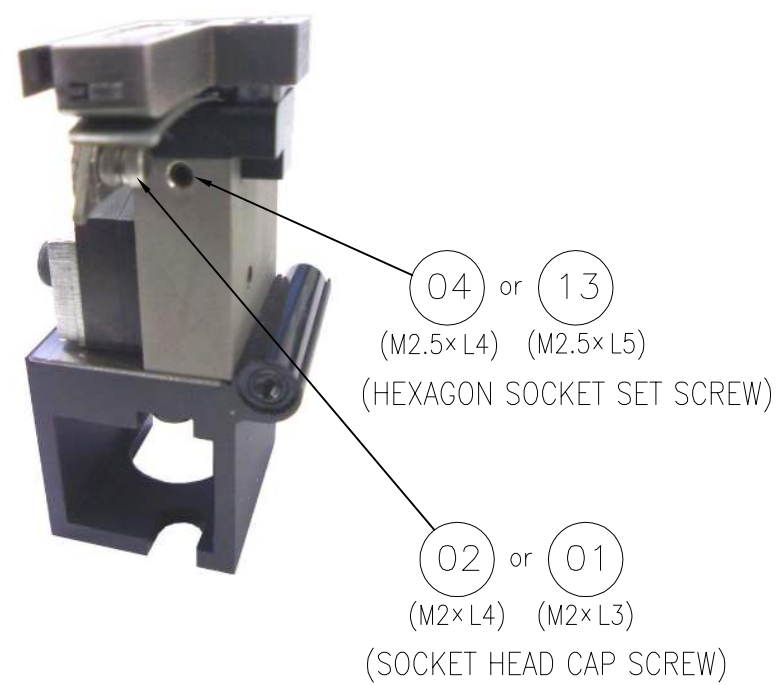


(PHILLIPS CROSS RECESSED SPECIAL PAN HEAD SCREW)
 (SOCKET HEAD CAP SCREW) (M2×L6) 03 or 08 (M2×L8)
 07 or 02 (M2×L5) (M2×L4)
 07 or 02 (M2×L5) (M2×L4)
(SOCKET HEAD CAP SCREW)
 05 (M2.5×L4)
(SOCKET HEAD CAP SCREW)
 09 (M3×L10)
(SOCKET HEAD CAP SCREW)

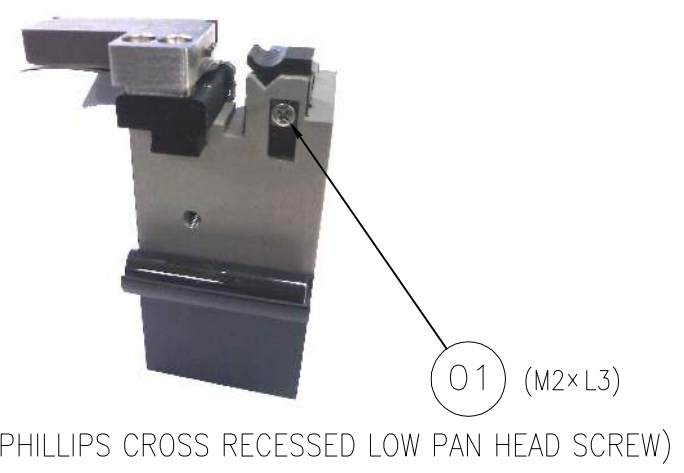
No,	P/N	SIZE / each	QTY
01	2088429-1	M2×L3 20ea	1set
02	2088429-2	M2×L4 20ea	1set
03	2088429-3	M2×L6 10ea	1set
04	2088429-4	M2.5×L4 5ea	1set
05	2088429-5	M2.5×L4 20ea	1set
06	2088429-6	M2×L3-3.3 10ea	1set
07	2088429-7	M2×L5 10ea	1set
08	2088429-8	M2×L8 10ea	1set
09	2088429-9	M3×L10 10ea	1set
10	1-2088429-0	M3×L18 10ea	1set
11	1-2088429-1	M3×L20 10ea	1set
12	1-2088429-2	M3 50ea	1set
13	1-2088429-3	M2.5×L5 10ea	1set

C

C



04 or 13
(M2.5×L4) (M2.5×L5)
(HEXAGON SOCKET SET SCREW)
02 or 01
(M2×L4) (M2×L3)
(SOCKET HEAD CAP SCREW)



01 (M2×L3)
(PHILLIPS CROSS RECESSED LOW PAN HEAD SCREW)


適用(Applicable) : S2P1 APPLICATOR

B

B

A

A

THIS DRAWING IS A CONTROLLED DOCUMENT.		DWN K. MARUYAMA 06FEB2009	 TE Connectivity													
DIMENSIONS: 単位: 耗 mm		CHK S. YABE 06FEB2009														
TOLERANCES UNLESS OTHERWISE SPECIFIED: 一般公差		APVD S. YABE 06FEB2009	NAME 名称													
<table border="1"> <tr><td>0 PLC</td><td>± -</td></tr> <tr><td>1 PLC</td><td>± -</td></tr> <tr><td>2 PLC</td><td>± -</td></tr> <tr><td>3 PLC</td><td>± -</td></tr> <tr><td>4 PLC</td><td>± -</td></tr> <tr><td>ANGLES</td><td>± -</td></tr> </table>		0 PLC	± -	1 PLC	± -	2 PLC	± -	3 PLC	± -	4 PLC	± -	ANGLES	± -	PRODUCT SPEC 製品規格	MICRO SCREW S2P1	
0 PLC	± -															
1 PLC	± -															
2 PLC	± -															
3 PLC	± -															
4 PLC	± -															
ANGLES	± -															
MATERIAL 材料		FINISH 仕上	APPLICATION SPEC 取付適用規格	RESTRICTED TO												
-		-	WEIGHT -	SIZE A3												
-		-	CAGE CODE 00779	DRAWING NO 番号 G-2088429												
-		-	CUSTOMER DRAWING	SCALE 尺度 -												
-		-	SHEET 1 OF 1	REV A1												