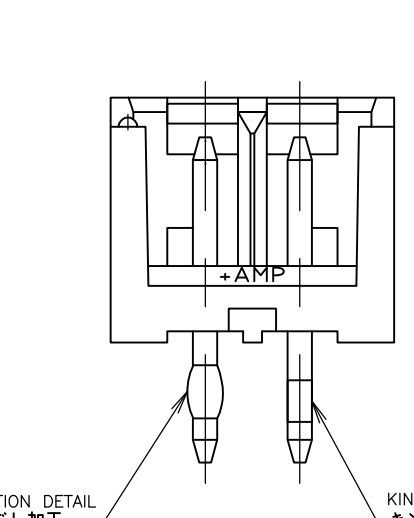
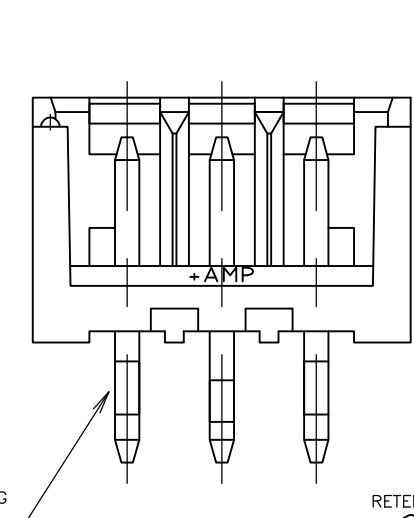
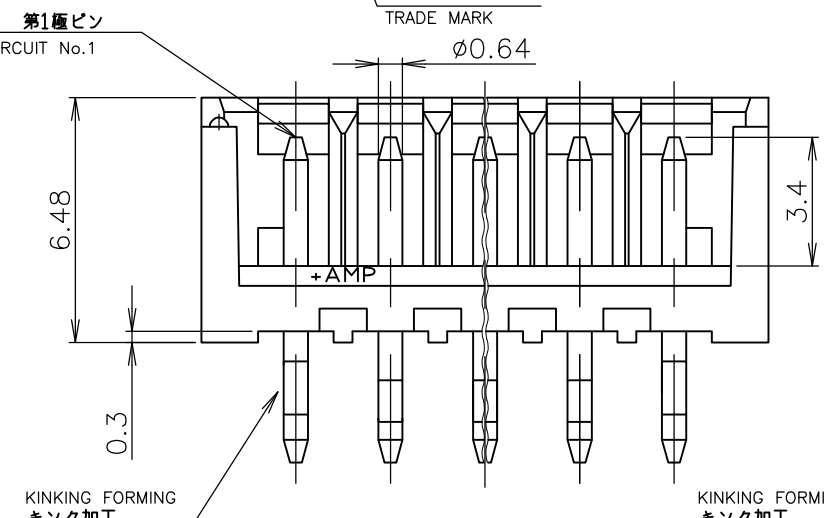
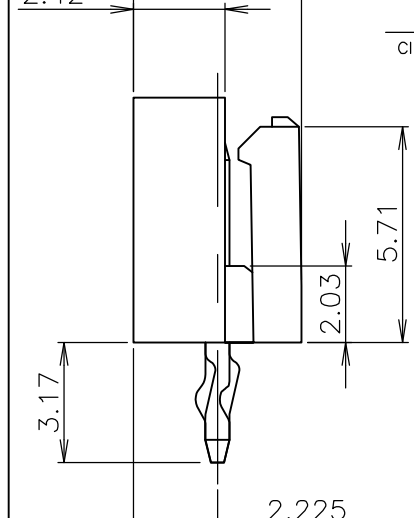
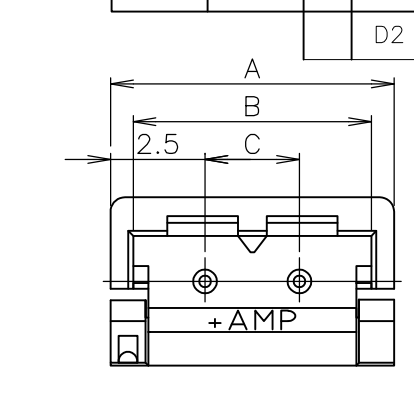
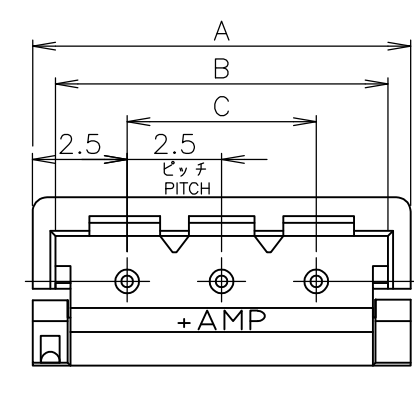
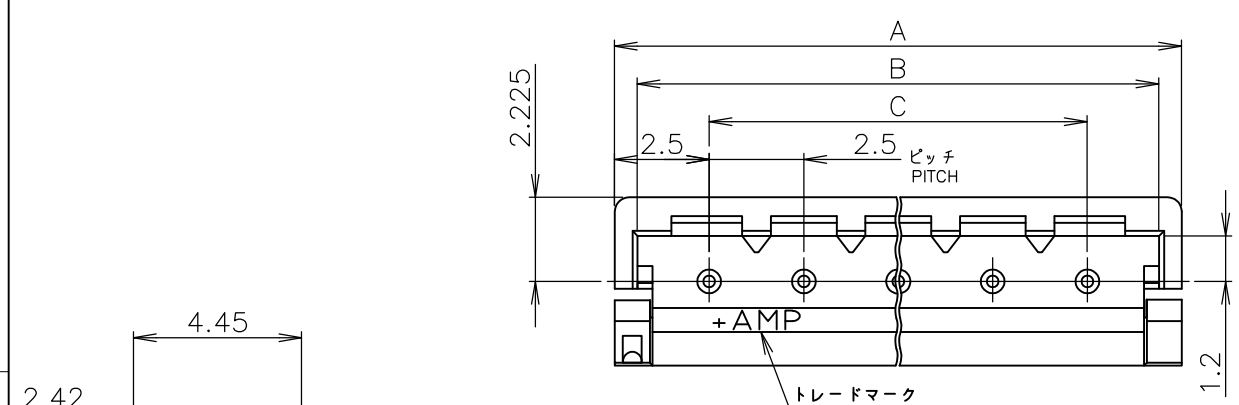


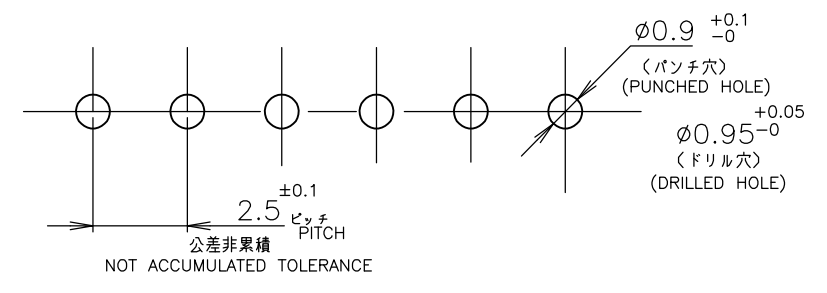
THIS DRAWING IS UNPUBLISHED. RELEASED FOR PUBLICATION
 © COPYRIGHT By - ALL RIGHTS RESERVED.

LOC	DIST	REVISIONS		
J		P	LTR	DESCRIPTION
				DATE
				DWN
				APVD
		D2		REVISED(ECR-14-018055)
				17MAR15
				W.C
				V.P



注記
 1. 材料：ハウジング - 66 ナイロン (UL94V-0)
 ポスト - 錫めっき黄銅
 2. 適用製品規格：108-5385
 3. 嵌合相手製品型番：P/N 177534, 179872

NOTES;
 1. MATERIAL : HOUSING - 66NYLON (UL94V-0)
 POST - PRE-TIN BRASS
 2. PRODUCT SPEC : 108-5385
 3. MATING COUNTER PART NUMBER : P/N 177534 ,179872



RECOMMENDABLE P.C.BOARD LAYOUT
 推奨基板寸法
 (板厚 1.0~1.6)
 (B.C.B THK:1.0~1.6)

30.0	34.2	35.0	13	9-	-3	7-	-3	5-	-3	3-	-3	1-	-3
27.5	31.7	32.5	12	9-	-2	7-	-2	5-	-2	3-	-2	1-	2-
25.0	29.2	30.0	11	9-	-1	7-	-1	5-	-1	3-	-1	1-	-1
22.5	26.7	27.5	10	9-	0	7-	0	5-	0	3-	0	1-	0
20.0	24.2	25.0	9	8-	-9	6-	-9	4-	-9	2-	-9	1-	2-
17.5	21.7	22.5	8	8-	-8	6-	-8	4-	-8	2-	-8		-8
15.0	19.2	20.0	7	8-	-7	6-	-7	4-	-7	2-	-7		-7
12.5	16.7	17.5	6	8-	-6	6-	-6	4-	-6	2-	-6		-6
10.0	14.2	15.0	5	8-	-5	6-	-5	4-	-5	2-	-5		-5
7.5	11.7	12.5	4	8-	-4	6-	-4	4-	-4	2-	-4		-4
5.0	9.2	10.0	3	8-	-3	6-	-3	4-	-3	2-	-3		-3
2.5	6.7	7.5	2	8-177537-2		6-177537-2		4-177537-2		2-177537-2			177537-2
C	B	A	極数 Pos.	青 BLUE	黒 BLACK	赤 RED	黄 YELLOW	製品型番 PART No.					

THIS DRAWING IS A CONTROLLED DOCUMENT.

DWN S.KANEKI 140CT92
 CHK A.ONO 140CT92
 APVD S.KUBOUCHI 250CT95

NAME 名称
 PRODUCT SPEC 製品規格
 APPLICATION SPEC 取付適用規格

STE TE Connectivity
 POST HDR ASSEMBLY
 2.5mm PITCH METRIC INTERCONNECT SYSTEM

SIZE A3 CAGE CODE 00779 DRAWING NO. 177537 RESTRICTED TO
 WEIGHT CUSTOMER DRAWING SCALE 10:1 SHEET 1 OF 1 REV D2