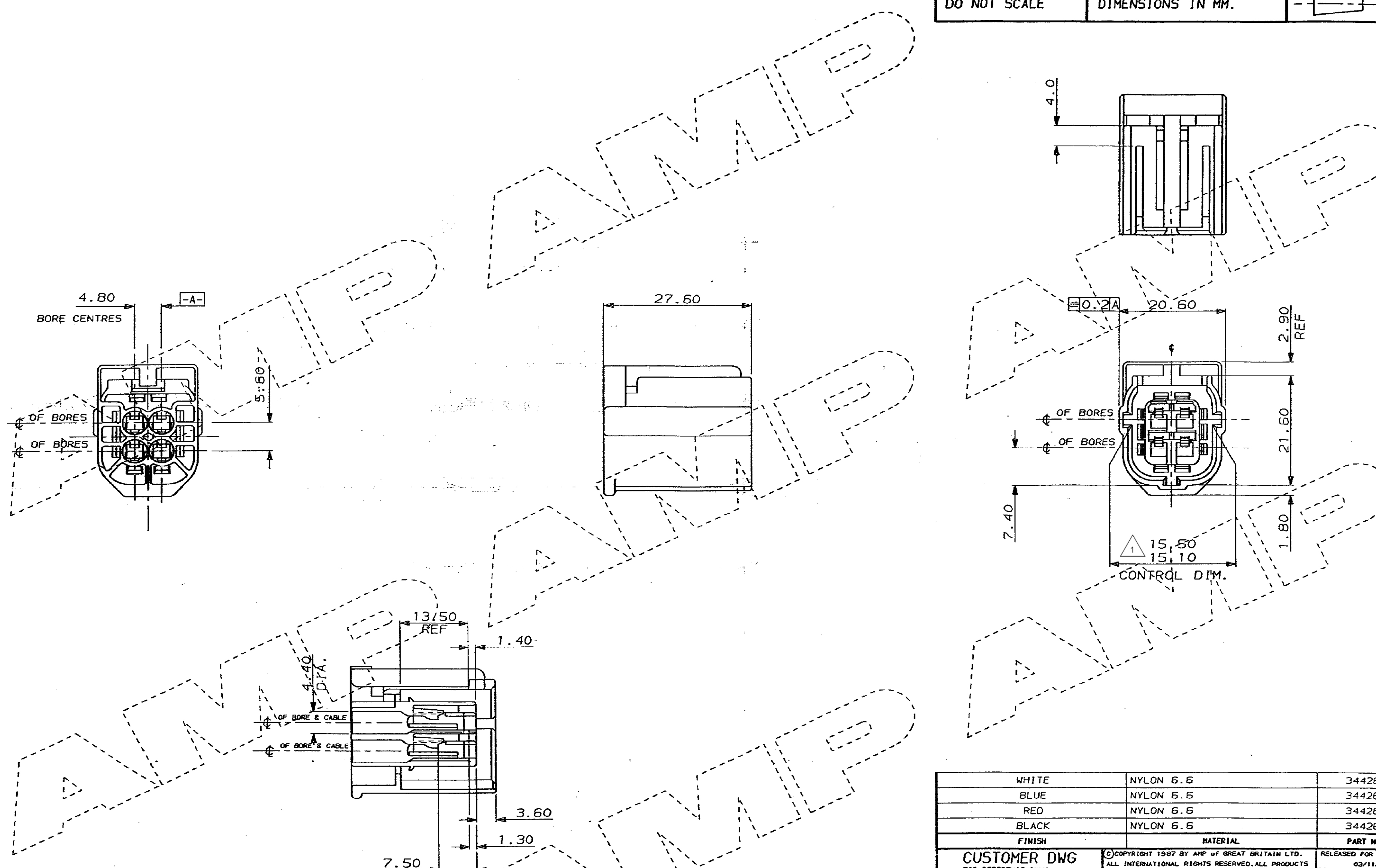


C.A.D. FILE CODE  
344269

DO NOT SCALE DIMENSIONS IN MM.



FINISH	MATERIAL	PART NUMBER
WHITE	NYLON 6.6	344269-4
BLUE	NYLON 6.6	344269-3
RED	NYLON 6.6	344269-2
BLACK	NYLON 6.6	344269-1

<b>CUSTOMER DWG</b> FOR REFERENCE ONLY		© COPYRIGHT 1987 BY AMP OF GREAT BRITAIN LTD. ALL INTERNATIONAL RIGHTS RESERVED. ALL PRODUCTS MAY BE COVERED BY BRITISH AND FOREIGN PATENTS AND/OR PATENTS PENDING.		RELEASED FOR PUBLICATION 03/11/87	
F1	ADDED NOTE	08MAY2017	TOLERANCES UNLESS OTHERWISE STATED	DR. I. J.	03 NOV 1987
E	ADDED 4.0 DIM.	C5615 26.9.90	DEC ± 0.5	CH. R. J. S.	APP. B. J.
D	PICT. CHANGE TO REAR CORING.	C5413 2.2.90	ANGLES ± 1°	TE Connectivity	
C	CONL DIM. WAS 15.30/15.10.	C5317 29.6.89			
B	UPDATED	C5241 11.5.89	NAME 4 WAY RECEPTACLE HSG. ECONOSEAL 3 LOW CURRENT		
A	UPDATED	C5014 29.7.88	SCALE	LOG	SIZE
O	REL. FOR PROD.	C4896 14.3.88	2/1	E	A2
REV	APPROVED	ECM	DATE	DWG. No.	REV SHEET
				C344269	F1 1/1