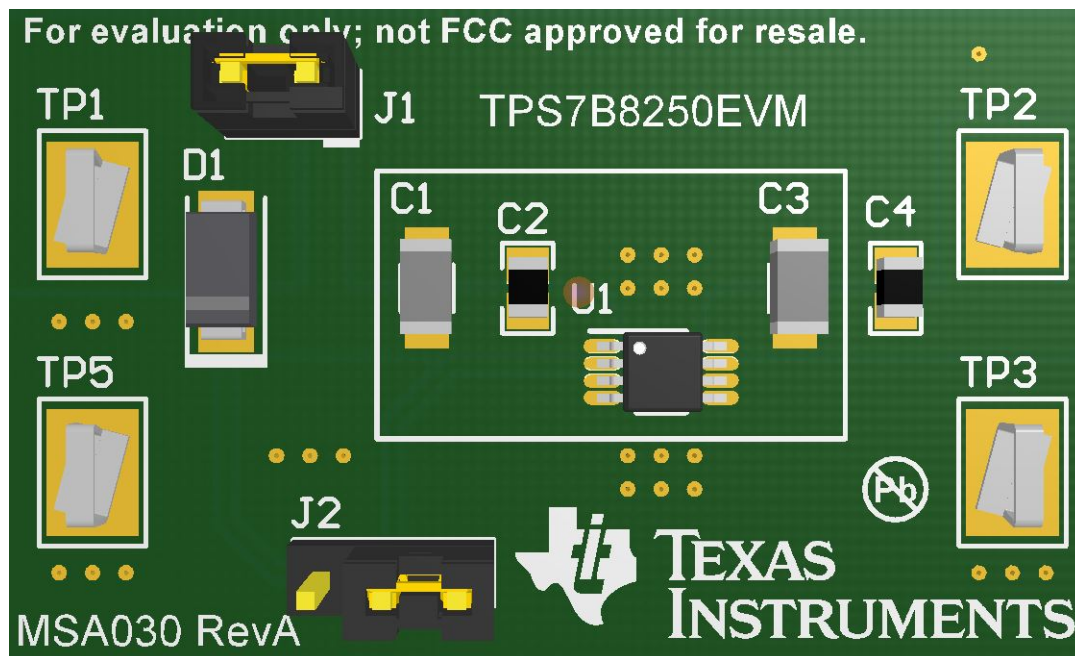


TPS7B8250EVM



This user's guide describes operational use of the TPS7B8250 evaluation module (EVM) as a reference design for engineering demonstration and evaluation of the TPS7B82-Q1 low-dropout (LDO) linear regulator. Included in this user's guide are setup instructions, a schematic diagram, printed circuit board (PCB) layout, and a bill of materials (BOM).

Throughout this document, the terms demonstration kit, evaluation board, and evaluation module are synonymous with the TPS7B8250EVM.

Contents

1	Introduction	2
2	Hardware.....	2
3	Schematic, PCB Layout, and Bill of Materials	2

List of Figures

1	TPS7B8250EVM Schematic	2
2	TPS7B8250EVM Top Layer Routing.....	3
3	TPS7B8250EVM Bottom Layer Routing	3

List of Tables

1	Bill of Materials	4
---	-------------------------	---

1 Introduction

The TPS7B8250EVM helps engineers evaluate the operation and performance of the TPS7B82-Q1 linear regulator. The TPS7B82-Q1 device is an LDO linear regulator designed for up to a 40-V V_{IN} with a maximum 300-mA output current.

2 Hardware

2.1 Input/Output Connectors

TP1 (VIN) —This connector is the input of the EVM. TP1 allows the user to connect a power supply and measure the input voltage.

TP2 (VOUT) —This connector is the output of the EVM. TP2 allows the user to connect a load and measure the output voltage of the EVM.

TP3 (GND) and TP5 (GND) —These connectors are the ground return connector of the EVM. The EVM provides two GND test points to allow the user to power the EVM, connect the load, and link the oscilloscope ground.

2.2 Hardware Setup

The following steps show how to set up the hardware:

1. Verify that the output voltage is set from 3 V to 40 V.
2. Connect the positive voltage lead from the input power supply to VIN at the TP1 connector of the EVM.
3. Connect the ground lead from the input power supply to ground at the TP5 connector of the EVM.
4. Connect a 0-mA to 300-mA load between the TP2 (VOUT) and the TP3 (GND) connectors.
5. Turn on the input power supply.
6. Vary the respective loads and V_{IN} voltage as necessary for test purposes.

3 Schematic, PCB Layout, and Bill of Materials

3.1 Schematic

Figure 1 illustrates the EVM schematic.

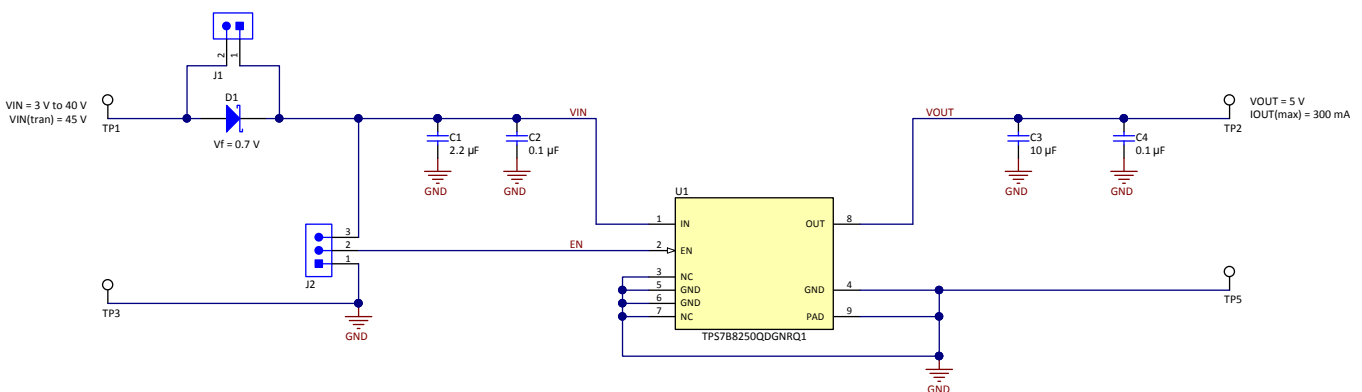


Figure 1. TPS7B8250EVM Schematic

3.2 PCB Layout

Figure 2 and Figure 3 show the PCB layout for the TPS7B8250EVM.

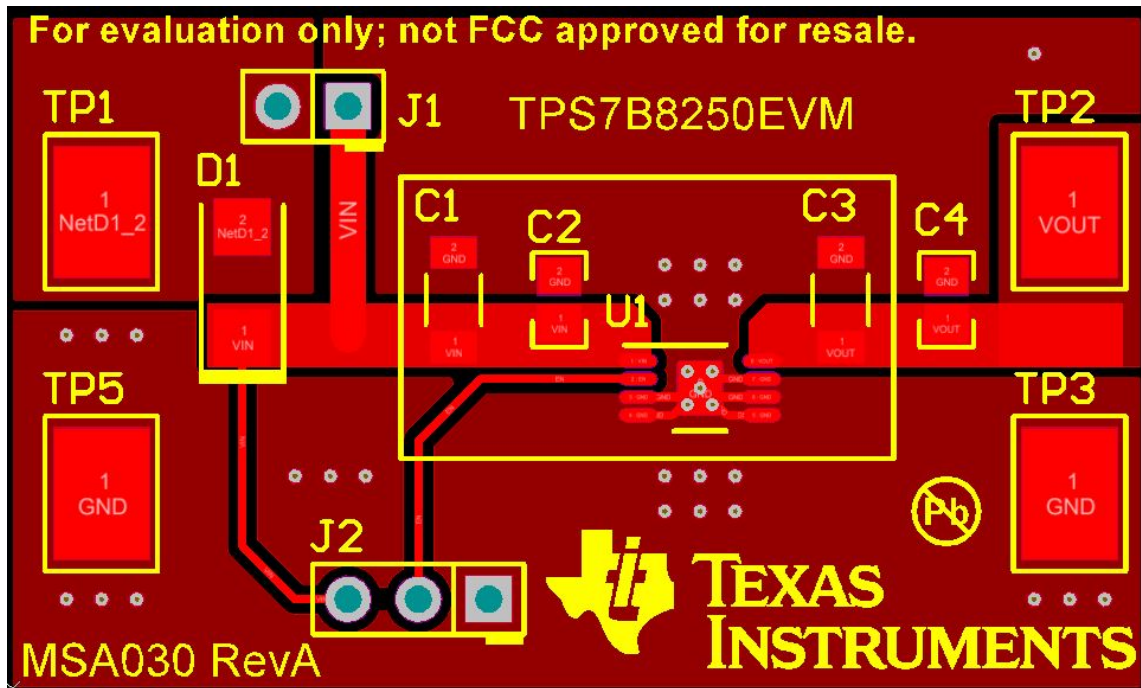


Figure 2. TPS7B8250EVM Top Layer Routing

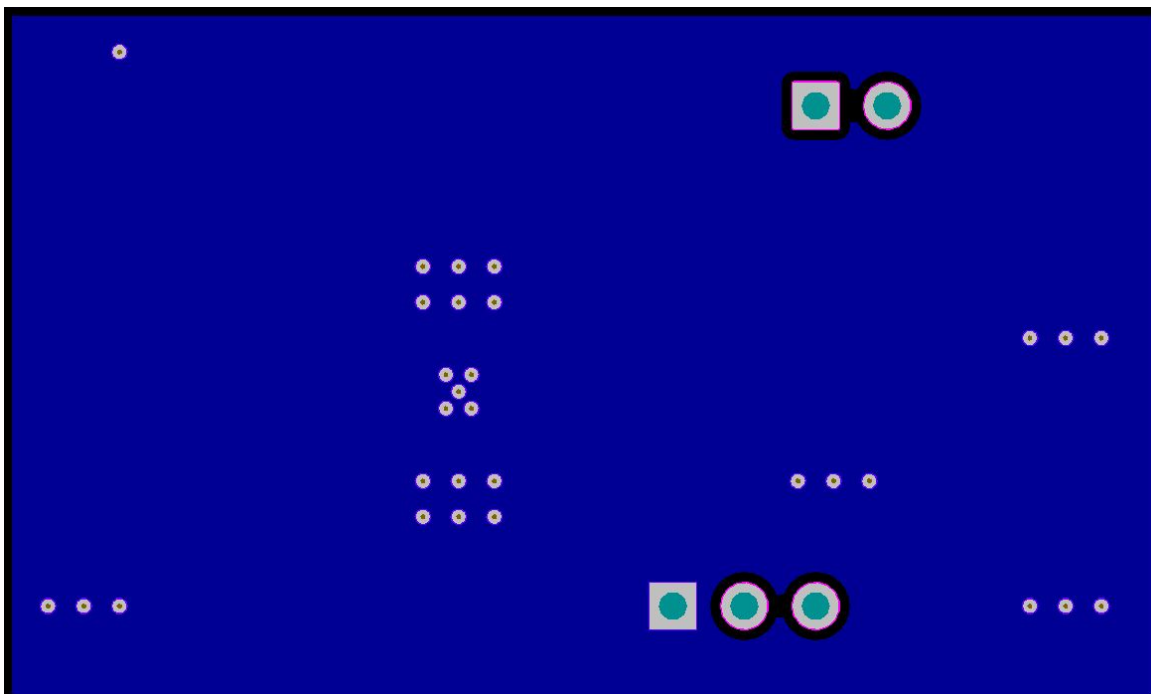


Figure 3. TPS7B8250EVM Bottom Layer Routing

3.3 Bill of Materials

Table 1 lists the EVM BOM.

Table 1. Bill of Materials

Designator	Qty	Value	Description	Package Reference	Part Number	Manufacturer
C1	1	2.2 μ F	Capacitor, ceramic, 2.2 μ F, 50 V, +/- 10%, X7R, 1206	1206	GRM31CR71H225KA88L	Murata
C2	1	0.1 μ F	Capacitor, ceramic, 0.1 μ F, 50 V, +/- 10%, X7R, 0805	0805	GRM21BR71H104KA01L	Murata
C3	1	10 μ F	Capacitor, ceramic, 10 μ F, 25 V,+/- 10%, X7R, 1206	1206	GRM31CR71E106KA12L	Murata
D1	1	SMA	Diode, Schottky, 60 V, 2 A, SMA	SMA	B260A-13-F	Diodes Inc.
J1	1	TH	Header, 100mil, 2x1, Gold, TH	TSW-102-07-G-S	TSW-102-07-G-S	Samtec
J2	1	TH	Header, 100mil, 3x1, Gold, TH	TSW-103-07-G-S	TSW-103-07-G-S	Samtec
SH-J1, SH-J2	2		Shunt, 100mil, Gold plated, Black	SNT-100-BK-G	969102-0000-DA	3M
TP1, TP2, TP3, TP5	4	SMT	Test Point, Compact, SMT	Testpoint_Keystone_Compact	5016	Keystone
U1	1		300mA High Voltage Ultra-Low I Q Low-Dropout Regulator	DGN0008D	TPS7B825050QDGNRQ1	Texas Instruments

IMPORTANT NOTICE FOR TI DESIGN INFORMATION AND RESOURCES

Texas Instruments Incorporated ("TI") technical, application or other design advice, services or information, including, but not limited to, reference designs and materials relating to evaluation modules, (collectively, "TI Resources") are intended to assist designers who are developing applications that incorporate TI products; by downloading, accessing or using any particular TI Resource in any way, you (individually or, if you are acting on behalf of a company, your company) agree to use it solely for this purpose and subject to the terms of this Notice.

TI's provision of TI Resources does not expand or otherwise alter TI's applicable published warranties or warranty disclaimers for TI products, and no additional obligations or liabilities arise from TI providing such TI Resources. TI reserves the right to make corrections, enhancements, improvements and other changes to its TI Resources.

You understand and agree that you remain responsible for using your independent analysis, evaluation and judgment in designing your applications and that you have full and exclusive responsibility to assure the safety of your applications and compliance of your applications (and of all TI products used in or for your applications) with all applicable regulations, laws and other applicable requirements. You represent that, with respect to your applications, you have all the necessary expertise to create and implement safeguards that (1) anticipate dangerous consequences of failures, (2) monitor failures and their consequences, and (3) lessen the likelihood of failures that might cause harm and take appropriate actions. You agree that prior to using or distributing any applications that include TI products, you will thoroughly test such applications and the functionality of such TI products as used in such applications. TI has not conducted any testing other than that specifically described in the published documentation for a particular TI Resource.

You are authorized to use, copy and modify any individual TI Resource only in connection with the development of applications that include the TI product(s) identified in such TI Resource. NO OTHER LICENSE, EXPRESS OR IMPLIED, BY ESTOPPEL OR OTHERWISE TO ANY OTHER TI INTELLECTUAL PROPERTY RIGHT, AND NO LICENSE TO ANY TECHNOLOGY OR INTELLECTUAL PROPERTY RIGHT OF TI OR ANY THIRD PARTY IS GRANTED HEREIN, including but not limited to any patent right, copyright, mask work right, or other intellectual property right relating to any combination, machine, or process in which TI products or services are used. Information regarding or referencing third-party products or services does not constitute a license to use such products or services, or a warranty or endorsement thereof. Use of TI Resources may require a license from a third party under the patents or other intellectual property of the third party, or a license from TI under the patents or other intellectual property of TI.

TI RESOURCES ARE PROVIDED "AS IS" AND WITH ALL FAULTS. TI DISCLAIMS ALL OTHER WARRANTIES OR REPRESENTATIONS, EXPRESS OR IMPLIED, REGARDING TI RESOURCES OR USE THEREOF, INCLUDING BUT NOT LIMITED TO ACCURACY OR COMPLETENESS, TITLE, ANY EPIDEMIC FAILURE WARRANTY AND ANY IMPLIED WARRANTIES OF MERCHANTABILITY, FITNESS FOR A PARTICULAR PURPOSE, AND NON-INFRINGEMENT OF ANY THIRD PARTY INTELLECTUAL PROPERTY RIGHTS.

TI SHALL NOT BE LIABLE FOR AND SHALL NOT DEFEND OR INDEMNIFY YOU AGAINST ANY CLAIM, INCLUDING BUT NOT LIMITED TO ANY INFRINGEMENT CLAIM THAT RELATES TO OR IS BASED ON ANY COMBINATION OF PRODUCTS EVEN IF DESCRIBED IN TI RESOURCES OR OTHERWISE. IN NO EVENT SHALL TI BE LIABLE FOR ANY ACTUAL, DIRECT, SPECIAL, COLLATERAL, INDIRECT, PUNITIVE, INCIDENTAL, CONSEQUENTIAL OR EXEMPLARY DAMAGES IN CONNECTION WITH OR ARISING OUT OF TI RESOURCES OR USE THEREOF, AND REGARDLESS OF WHETHER TI HAS BEEN ADVISED OF THE POSSIBILITY OF SUCH DAMAGES.

You agree to fully indemnify TI and its representatives against any damages, costs, losses, and/or liabilities arising out of your non-compliance with the terms and provisions of this Notice.

This Notice applies to TI Resources. Additional terms apply to the use and purchase of certain types of materials, TI products and services. These include; without limitation, TI's standard terms for semiconductor products (<http://www.ti.com/sc/docs/stdterms.htm>), [evaluation modules](#), and [samples](http://www.ti.com/sc/docs/sampterm.htm) (<http://www.ti.com/sc/docs/sampterm.htm>).

Mailing Address: Texas Instruments, Post Office Box 655303, Dallas, Texas 75265
Copyright © 2018, Texas Instruments Incorporated