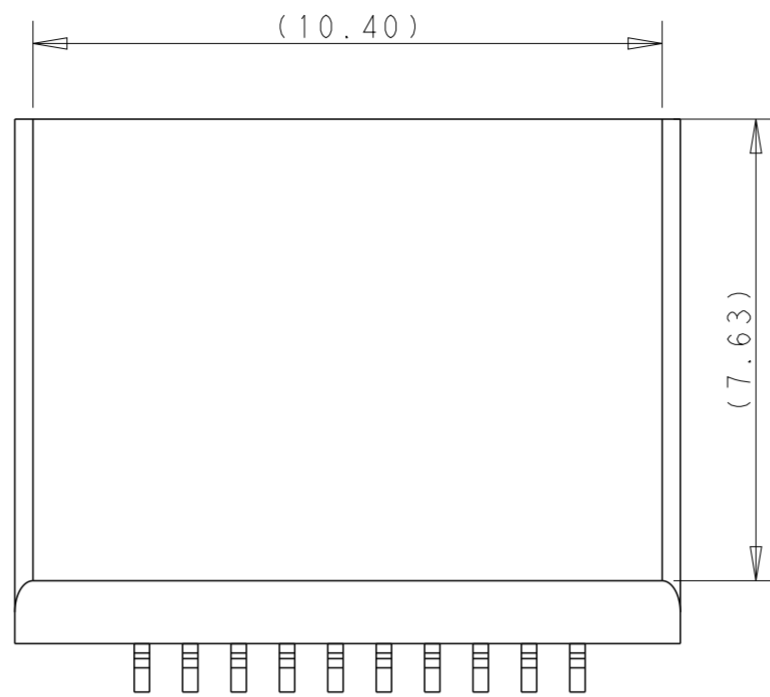
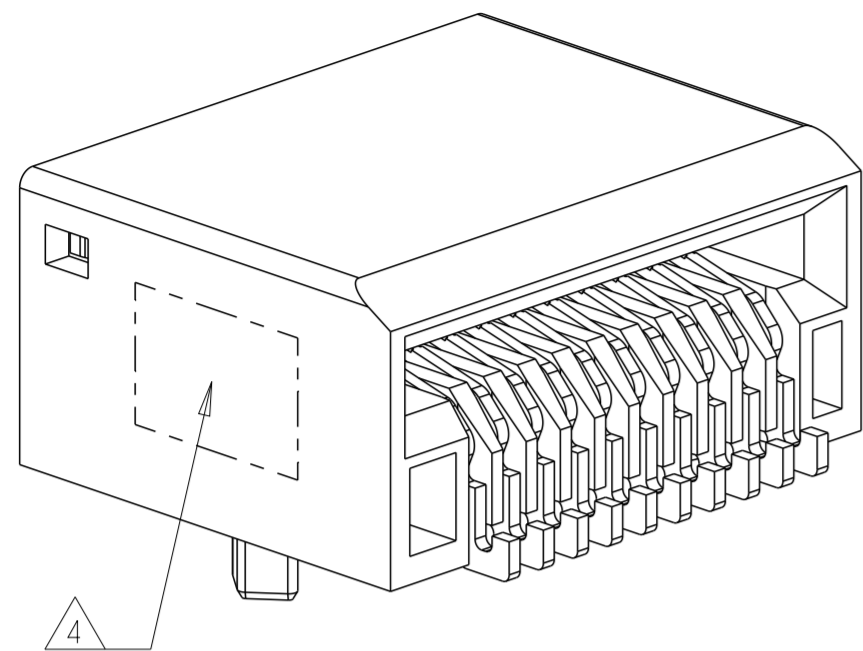
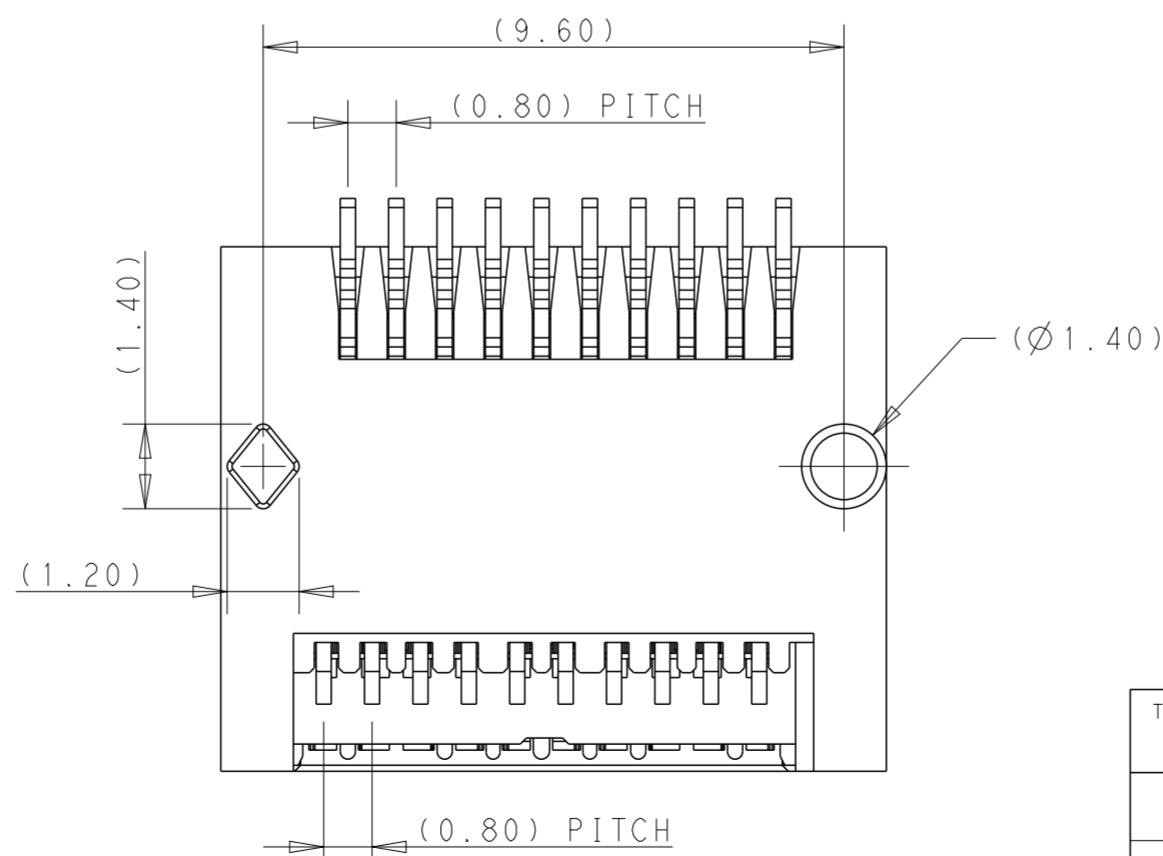
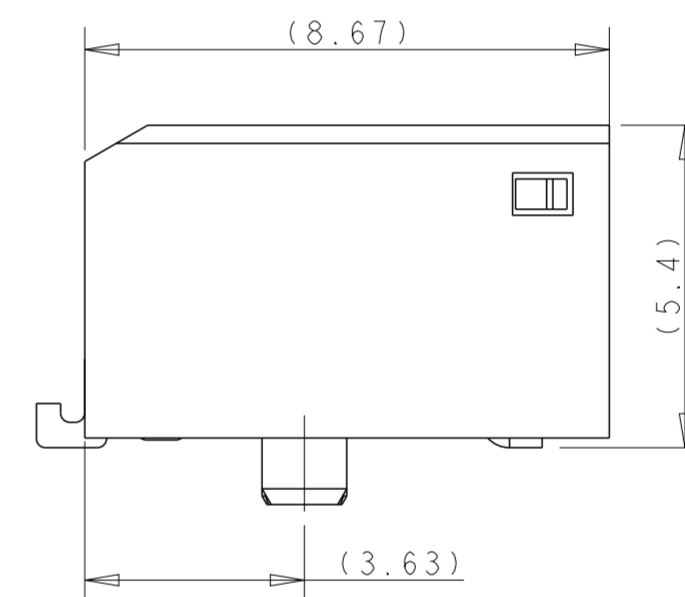
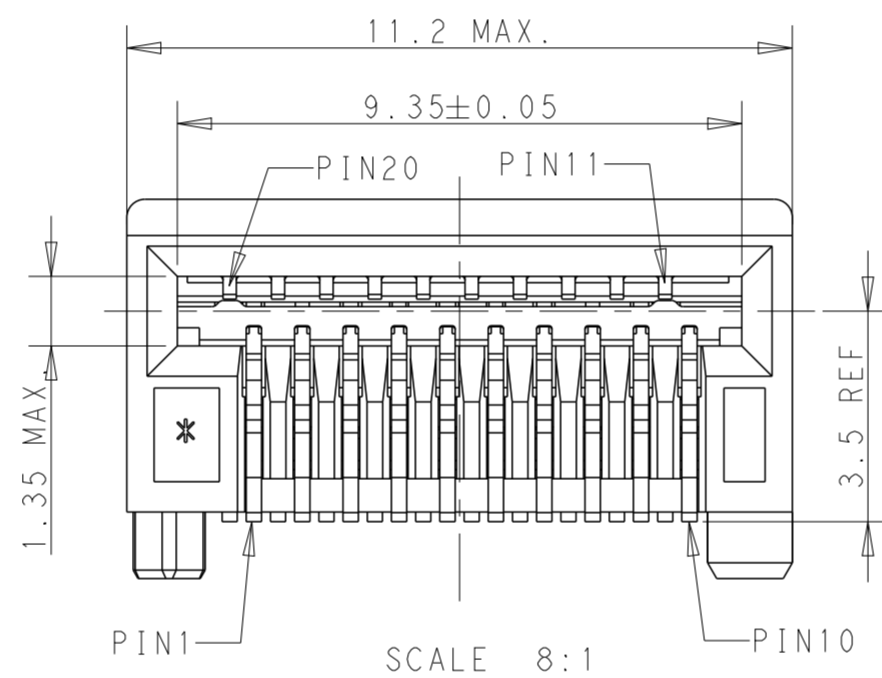
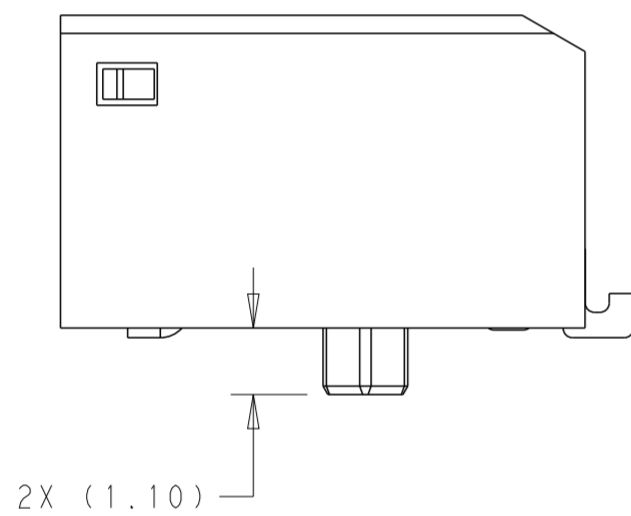


P	LTR	DESCRIPTION	DATE	DWN	APVD
A		INITIAL RELEASE	09MAR2022	AJ	SZ
A1		REVISED RHOMBIC GUIDE POST WIDTH	07JUN2022	AJ	SZ
A2		CORRECTED DRAFT ERROR IN TITLE BLOCK	08DEC2022	AJ	SZ



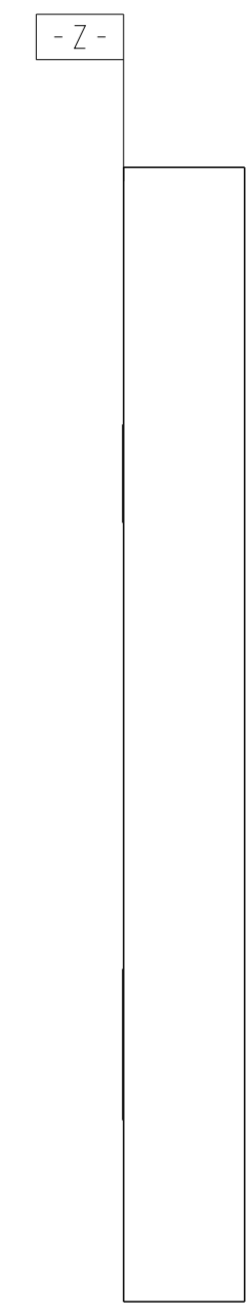
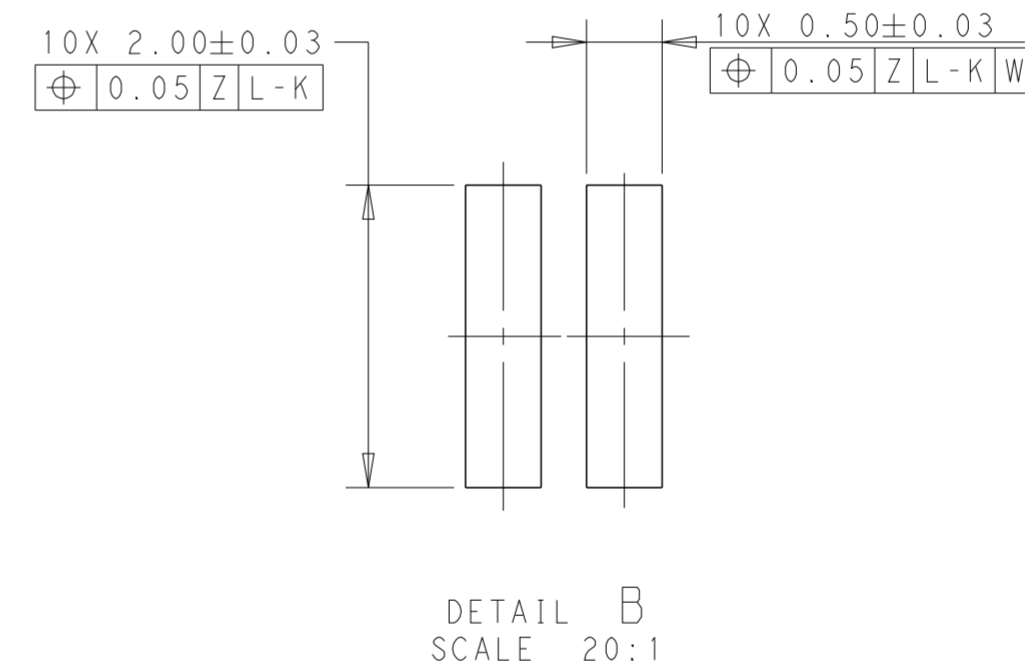
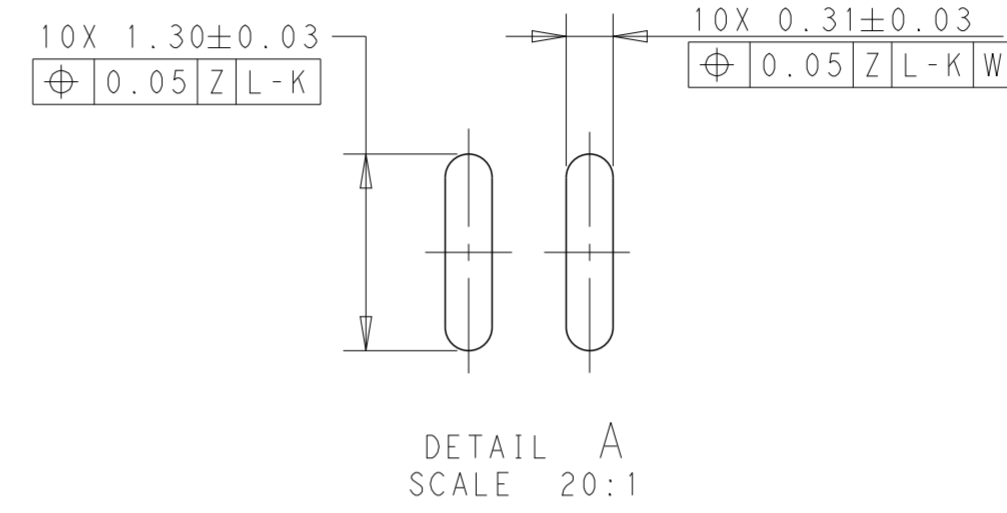
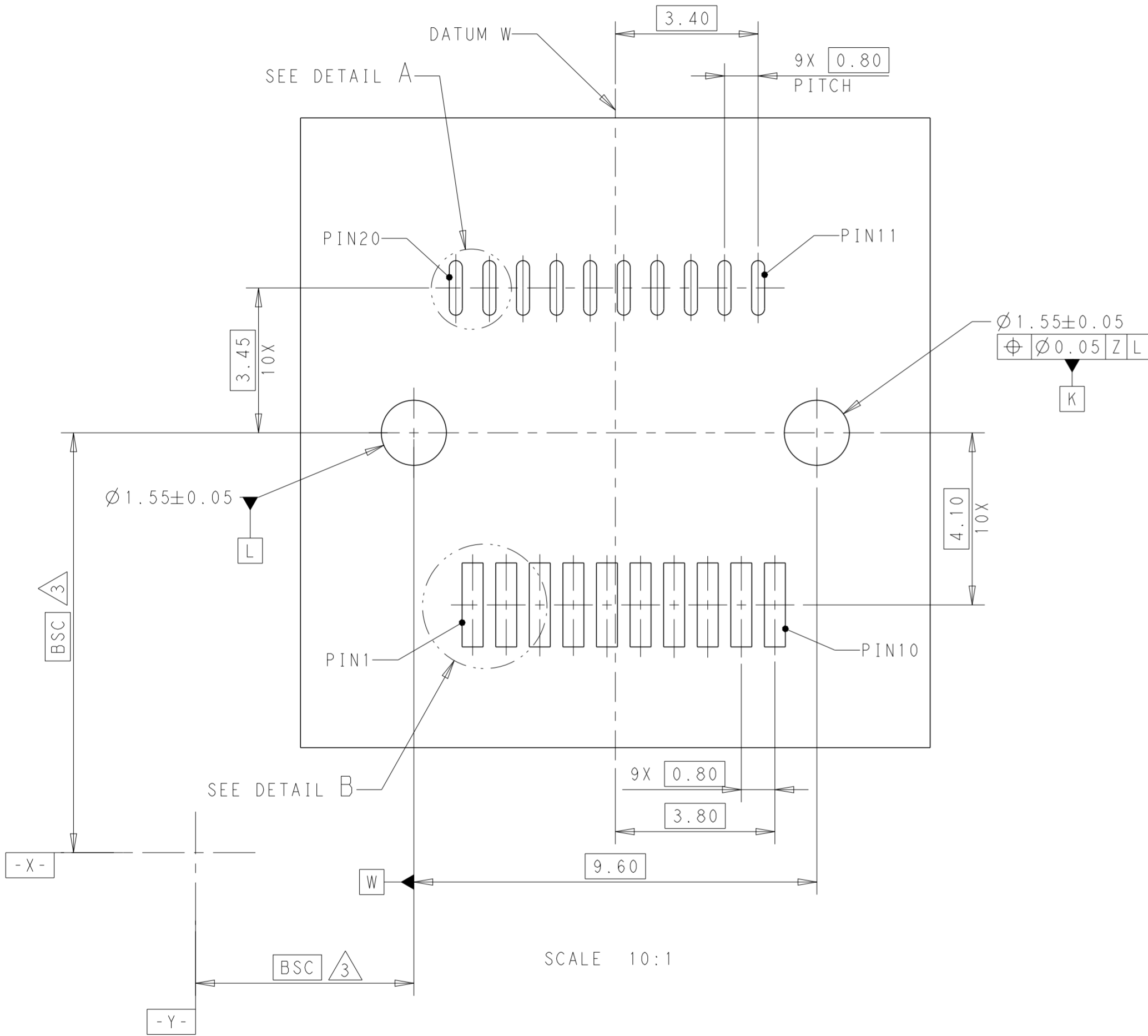
- 1 MATERIAL:
CONTACT: COPPER ALLOY
HOUSING: LCP, BLACK.
- 2 FINISH: GOLD PLATING ON MATING INTERFACE
- 3 DATUM AND BASIC DIMENSIONS ESTABLISHED BY CUSTOMER
- 4 PART NUMBER AND DATE CODE APPROXIMATELY MARKED IN THIS AREA.
- 5. PACKAGING SPECIFICATION PLEASE REFER TO 107-148632



AS SHOWN	2378765-1
REMARK	PART NUMBER

THIS DRAWING IS A CONTROLLED DOCUMENT.		DWN	23FEB2021	STE TE Connectivity	
		CHK	23FEB2021		
DIMENSIONS:		APVD		NAME	
mm		-		SFP112 RECEPTACLE ASSEMBLY	
TOLERANCES UNLESS OTHERWISE SPECIFIED:		PRODUCT SPEC		20POS, SMT	
0 PLC ±		108-115180		-	
1 PLC ±0.30		APPLICATION SPEC		SIZE	
2 PLC ±0.25		114-13120		CAGE CODE	
3 PLC ±		WEIGHT		DRAWING NO	
4 PLC ±		0.68 G		A200779	
ANGLES ±		CUSTOMER DRAWING		C-2378765	
FINISH		SCALE		SHEET	
-		8:1		1 OF 2	
				REV A2	

P	LTR	DESCRIPTION	DATE	DWN	APVD
		SEE SHEET 1			



THIS DRAWING IS A CONTROLLED DOCUMENT.		DWN 23FEB2021 ARTHUR JIN	TE Connectivity	
		CHK 23FEB2021 SUNY ZHAO		
DIMENSIONS: mm 		TOLERANCES UNLESS OTHERWISE SPECIFIED: 0 PLC ± 1 PLC ±0.30 2 PLC ±0.25 3 PLC ± 4 PLC ± ANGLES ± FINISH -		NAME SFP112 RECEPTACLE ASSEMBLY 20POS, SMT PRODUCT SPEC 108-115180 APPLICATION SPEC 114-13120 WEIGHT 0.68 G CUSTOMER DRAWING
		APVD -	SIZE A2 CAGE CODE 00779 DRAWING NO C-2378765 SCALE 8:1	RESTRICTED TO - SHEET 2 OF 2 REV A2