

TABLE OF CONTENTS	
SHEET NO.	SHEET DESCRIPTION
1	NOTES AND BOM
2	CONFIGURATIONS
3-4	KEY CONFIGURATIONS
5	BLADE SEALED ASSEMBLY
6	SYSTEM PACKAGING
7	BACKSHELL NOTES
8	BACKSHELL
9	BACKSHELL CONFIGURATIONS

MATING CONNECTOR DRAWINGS	
DESCRIPTION	MOLEX INLINE
1X2	SD-33471-0001
1X6	SD-33471-0001

NOTES: VALID UNLESS OTHERWISE SPECIFIED

1. GENERAL:

a. APPLICATION SPECIFICATION SEE: AS-33472-100

- CONTAINS: PRODUCT INTRODUCTION, PRODUCT SUMMARY, CONNECTOR ASSEMBLY, PACKAGING INFORMATION, CONNECTOR MATING, SERVICE INSTRUCTIONS, ELECTRICAL CONTINUITY CHECKING, CRIMPING, AND TROUBLESHOOTING.
- DESIGNED TO MATE WITH RECEPTACLE SEALED ASSEMBLY AS SPECIFIED IN THE MATING CONNECTOR DRAWINGS CHART.
- *DENOTES DRAWINGS THAT CAN BE ACCESSED AT <http://ewcap.uscarteams.org/>
- ASSEMBLY SHIPPED WITH PLR IN PRE-LOCK POSITION (SEE PLR PRE-LOCK VIEW SHEET 5).

b. PRODUCT SPECIFICATION SEE:

- STANDARD CONFIGURATION: PS-33471-000
- UL V0 CONFIGURATION: PS-160105-0001
- CONTAINS: PRODUCT INTRODUCTION, PRODUCT SUMMARY, RATINGS (CURRENT, TEMPERATURE, SEALING, AND FLAMMABILITY), TERMINALS, WIRE DIAMETER RANGE, PRODUCT VALIDATION, AND PRODUCT DEVIATIONS.

c. PACKAGING SPECIFICATION PER MOLEX DRAWING: PK-31300-635 (PK-33471-000 FOR 1X5)

d. PARTS MUST BE IN COMPLIANCE TO MOLEX CHEMICAL SUBSTANCES FOR PRODUCTS AND PACKAGING SPECIFICATION: QEHS-699000-300

e. DATA MUST BE SUBMITTED UNDER THE MOLEX PART NUMBER TO IMDS (COMPANY ID#13255)

2. DESIGN - MATERIALS:

a. FOR BILL OF MATERIALS SEE:

- STANDARD CONFIGURATION: SD-33481-0002
- UL V0 CONFIGURATION: SD-160106-0002

3. DESIGN - GEOMETRY:

a. THE 3-D CAD DATA IS BASIC (WITHOUT TOLERANCE) AND MASTER FOR THIS PART WITH THE EXCEPTION OF UNDERLINED DIMENSIONS. DIMENSIONAL INFORMATION NOT SHOWN ON THIS DRAWING IS DEFINED BY THE DATA FILE AT ITS LATEST REVISION.

b. GEOMETRIC DIMENSIONS AND TOLERANCES PER ASME Y14.5M-2009

c. EDGES AND UNDIMENSIONED DETAILS PER ISO13715

d. CORNERS SHOWN AS SHARP TO BE R 0.2 MAX.

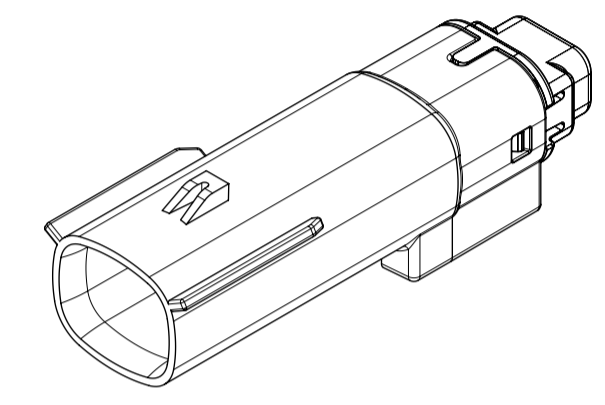
e. LETTERING SHALL BE 0.15 MAX RAISED IN 0.25 MAX RECESS PAD. THIS INCLUDES RECYCLING CODE, CAVITY ID, VENDOR IDENTIFICATION, AND CUSTOMER MATERIAL NUMBER.

f. VISUAL DEFECTS SHALL MEET COSMETIC STANDARD PS-45499-002 (Class B).

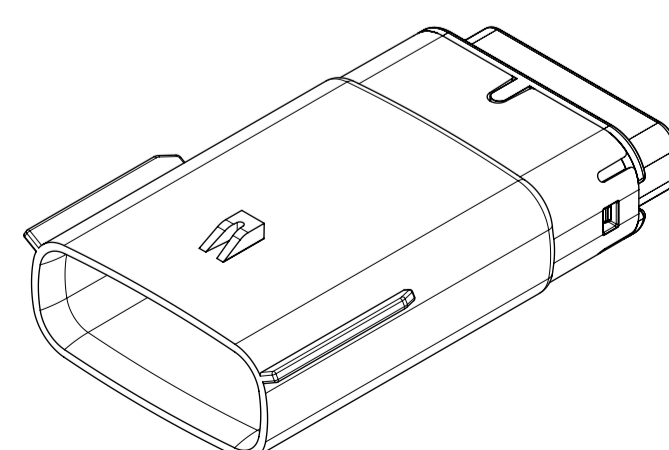
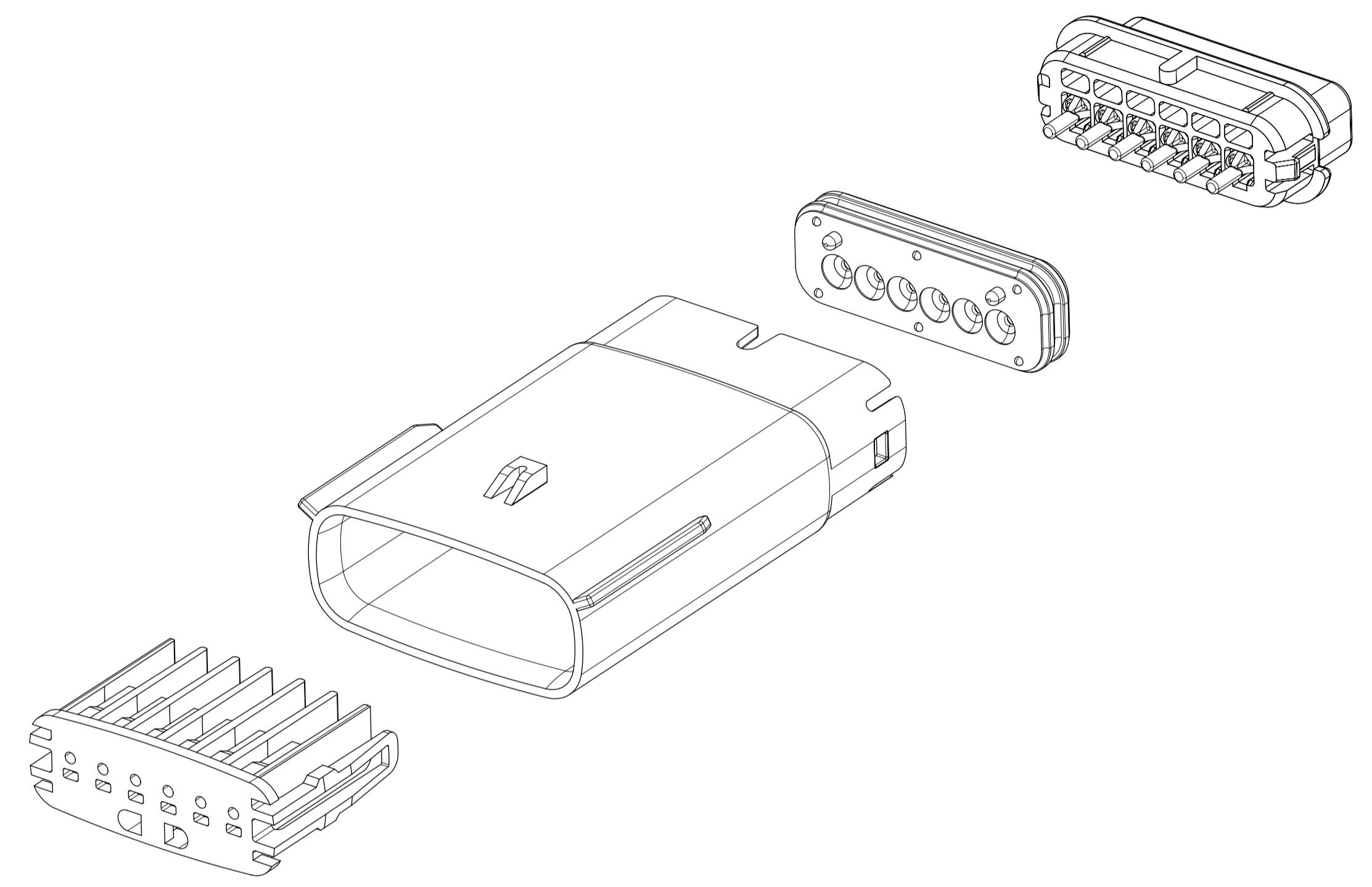
g. LASER MARKING:

- PART NUMBER
- DAY OF THE YEAR
- SHIFT
- YEAR

FOR ADDITIONAL INFORMATION SEE SECTION 5 UNDER PROCEDURES IN ES-34735-008.



1X2



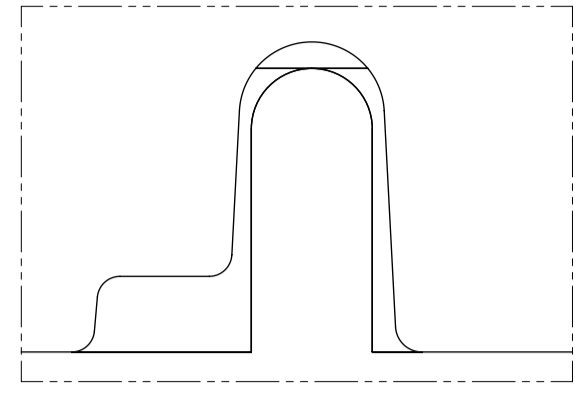
1X6

INSPECTION NUMBER LOG	
LAST NUMBER:	ADDED:
9	1
REMOVED:	REV
	REV DESCRIPTION

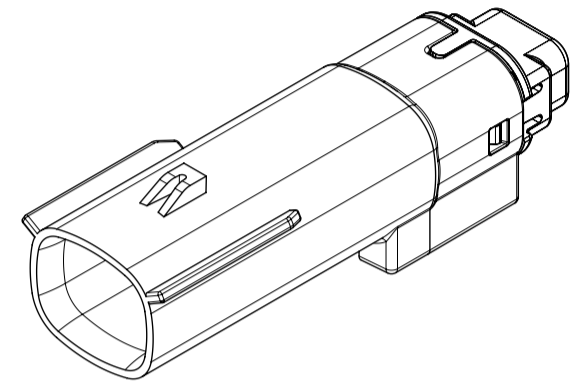
A1	NX REMASTERING , CHANGE PS DRAWING NUMBER FROM PS-160105-0001 TO PS-160074-0001 IN NOTES 1.b
A	MINOR GEOMETRY CHANGE FOR UL V0
2	UPDATED VIEWSETS
1	INITIAL RELEASE
REV	REV DESCRIPTION

SYMBOLS = 0 = 0 = 0 = 0 = 0 = 0 = 0 = 0 = 0 = 0	THIS DRAWING CONTAINS INFORMATION THAT IS PROPRIETARY TO MOLEX ELECTRONIC TECHNOLOGIES, LLC AND SHOULD NOT BE USED WITHOUT WRITTEN PERMISSION DIMENSION UNITS: MM ONLY SCALE: 1.5:1	CURRENT REV DESC: EC NO: 602373 DRWN: DSHETTY01 2018/05/25 CHK'D: MVANSLAMBROU 2018/10/04 APPR: MVANSLAMBROU 2018/10/04 INITIAL REVISION: DRWN: APROFFITT 2015/07/21 APPR: KDEKOSKI 2016/06/14			
	GENERAL TOLERANCES (UNLESS SPECIFIED) ANGULAR TOL ± 1.0° 4 PLACES ± 3 PLACES ± 2 PLACES ± 0.1 1 PLACE ± 0.2 0 PLACES ± DRAFT WHERE APPLICABLE MUST REMAIN WITHIN DIMENSIONS	MX150 BLADE SINGLE ROW SEALED ASSY MAT SEAL PRODUCT CUSTOMER DRAWING			
	THIRD ANGLE PROJECTION 	DRAWING: A1-SIZE SERIES: 33481	MATERIAL NUMBER: SEE NOTE 2a. CUSTOMER: GENERAL MARKET SHEET NUMBER: 1 OF 9	DOCUMENT NUMBER: SD-33481-0001 DOC TYPE: PSD DOC PART: 001 REVISION: A1	
	DOCUMENT STATUS: P1 RELEASE DATE: 2018/10/04 15:02:02				

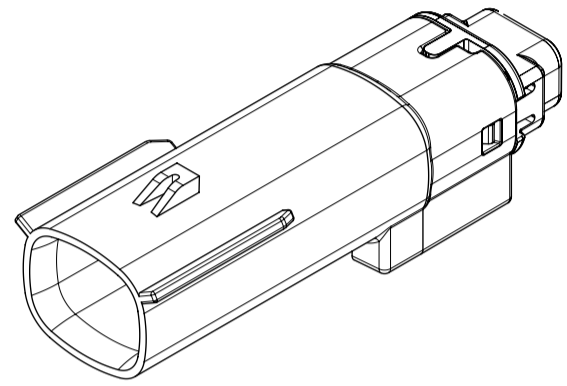
SHEET DESCRIPTION
CONFIGURATIONS



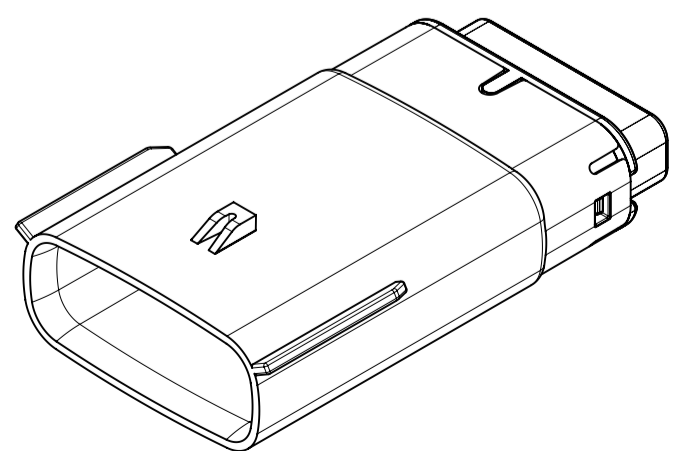
UL V0 UNIQUE FEATURE
Partial1
SCALE 10:1



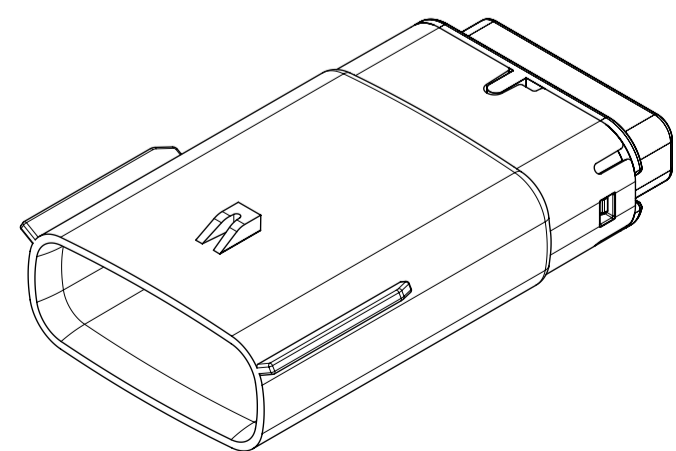
1x2 - STD



1X2 - UL V0*



1x6 - STD

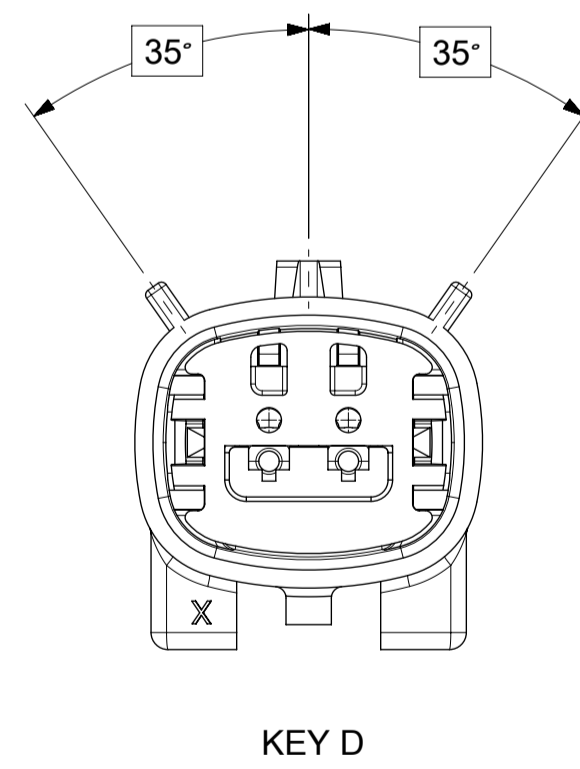
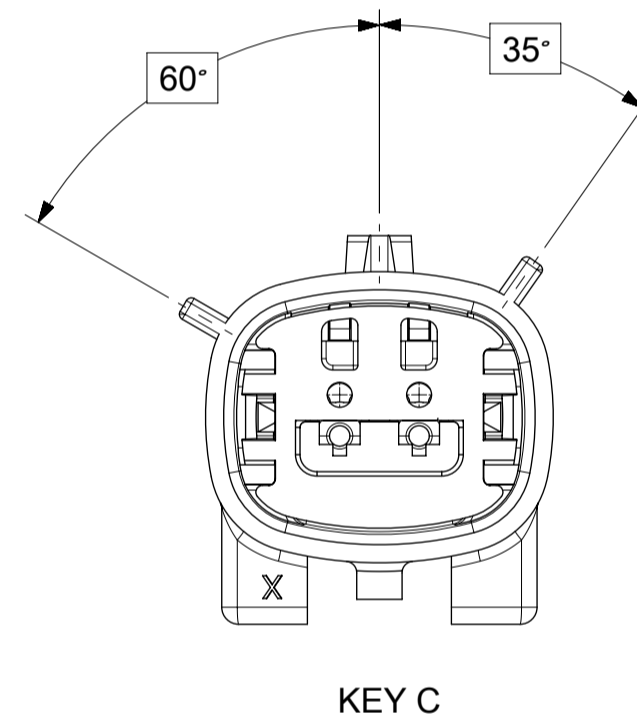
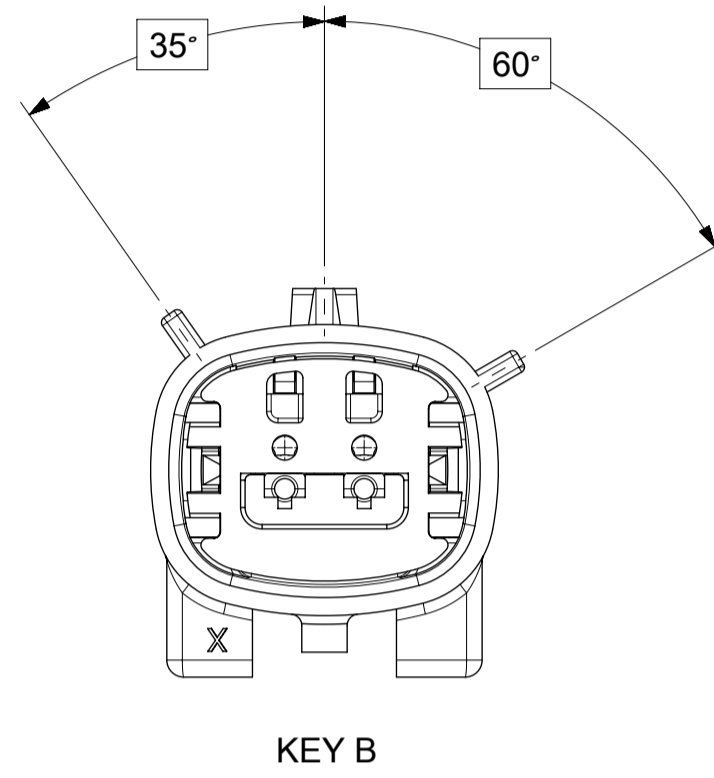
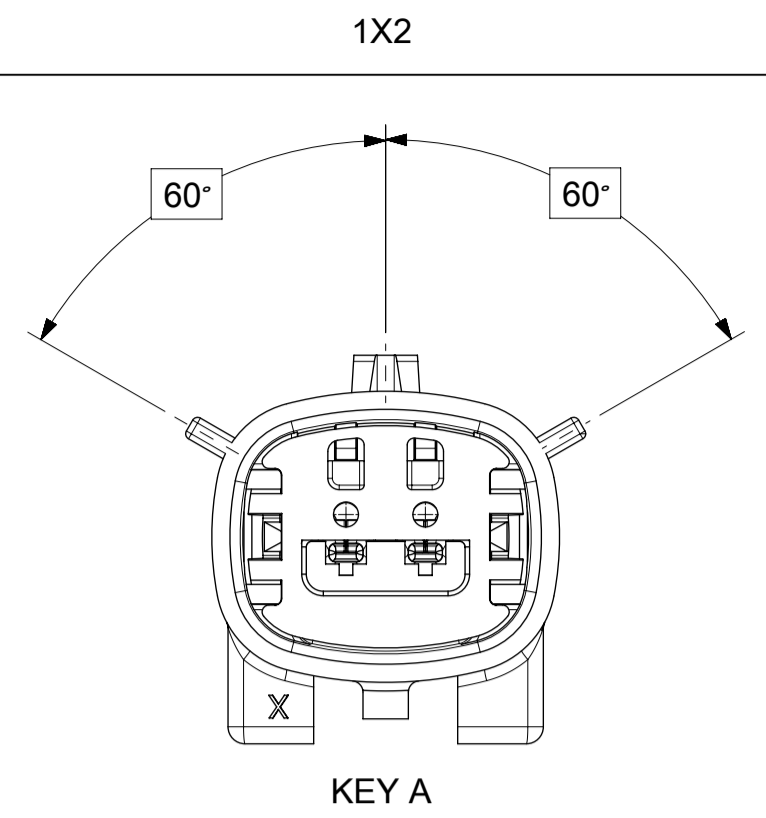


1x6 - UL V0*

* MINOR GEOMETRY DIFFERENCE THAN STANDARD CONFIGURATION.
SEE NOTES 1 & 2 FOR MORE INFORMATION

SYMBOLS	THIS DRAWING CONTAINS INFORMATION THAT IS PROPRIETARY TO MOLEX ELECTRONIC TECHNOLOGIES, LLC AND SHOULD NOT BE USED WITHOUT WRITTEN PERMISSION		CURRENT REV DESC:							
	DIMENSION UNITS	SCALE						EC NO: 602373	DRWN: DSHETTY01	2018/05/25
▽ = 0	MM ONLY	1.5:1	GENERAL TOLERANCES (UNLESS SPECIFIED)		CHK'D: MVANSLAMBROU	2018/10/04	DOCUMENT NUMBER	DOC TYPE	DOC PART	REVISION
▽ = 0	ANGULAR TOL ± 1.0°		4 PLACES ±		APPR: MVANSLAMBROU	2018/10/04	SD-33481-0001	PSD	001	A1
▽ = 0	3 PLACES ±		2 PLACES ± 0.1		INITIAL REVISION:		PRODUCT CUSTOMER DRAWING			
▽ = 0	1 PLACE ± 0.2		0 PLACES ±		DRWN: APROFFITT	2015/07/21	MATERIAL NUMBER			
▽ = 0	DRAFT WHERE APPLICABLE MUST REMAIN WITHIN DIMENSIONS		THIRD ANGLE PROJECTION		APPR: KDEKOSKI	2016/06/14	SEE NOTE 2a.	CUSTOMER		SHEET NUMBER
▽ = 0			DRAWING				GENERAL MARKET	2 OF 9		
		A1-SIZE		SERIES		33481				

SHEET DESCRIPTION
KEY CONFIGURATIONS



SYMBOLS	THIS DRAWING CONTAINS INFORMATION THAT IS PROPRIETARY TO MOLEX ELECTRONIC TECHNOLOGIES, LLC AND SHOULD NOT BE USED WITHOUT WRITTEN PERMISSION		
	DIMENSION UNITS	SCALE	CURRENT REV DESC:
▽ = 0	MM ONLY	3:1	EC NO: 602373 DRWN: DSHETTY01 2018/05/25 CHK'D: MVANSLAMBROU 2018/10/04 APPR: MVANSLAMBROU 2018/10/04
▽ = 0	GENERAL TOLERANCES (UNLESS SPECIFIED)		
▽ = 0	ANGULAR TOL ± 1.0°		
▽ = 0	4 PLACES	±	
▽ = 0	3 PLACES	±	INITIAL REVISION: DRWN: APROFFITT 2015/07/21 APPR: KDEKOSKI 2016/06/14
▽ = 0	2 PLACES	± 0.1	
▽ = 0	1 PLACE	± 0.2	THIRD ANGLE PROJECTION DRAFT WHERE APPLICABLE MUST REMAIN WITHIN DIMENSIONS
▽ = 0	0 PLACES	±	
▽ = 0	DRAFT WHERE APPLICABLE MUST REMAIN WITHIN DIMENSIONS		DRAWING A1-SIZE SERIES 33481
DOCUMENT STATUS		P1	RELEASE DATE
2018/10/04		15:02:02	
DOCUMENT NUMBER		DOC TYPE	DOC PART
SD-33481-0001		PSD	001
MATERIAL NUMBER		CUSTOMER	SHEET NUMBER
SEE NOTE 2a.		GENERAL MARKET	3 OF 9

molex

MX150 BLADE
SINGLE ROW SEALED ASSY MAT SEAL

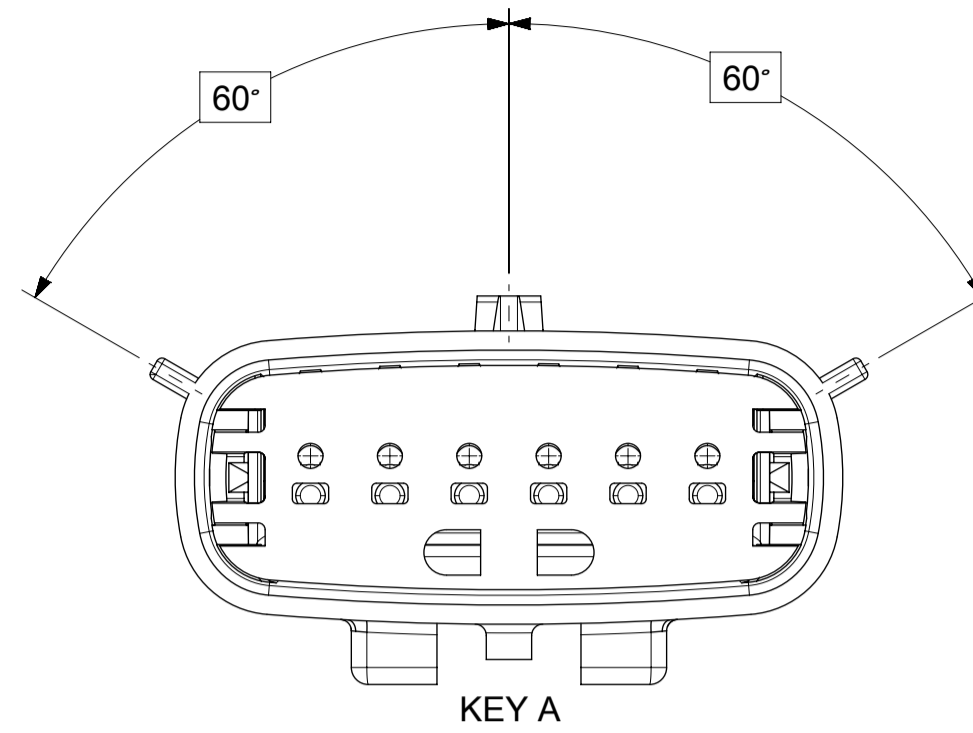
PRODUCT CUSTOMER DRAWING

REVISION

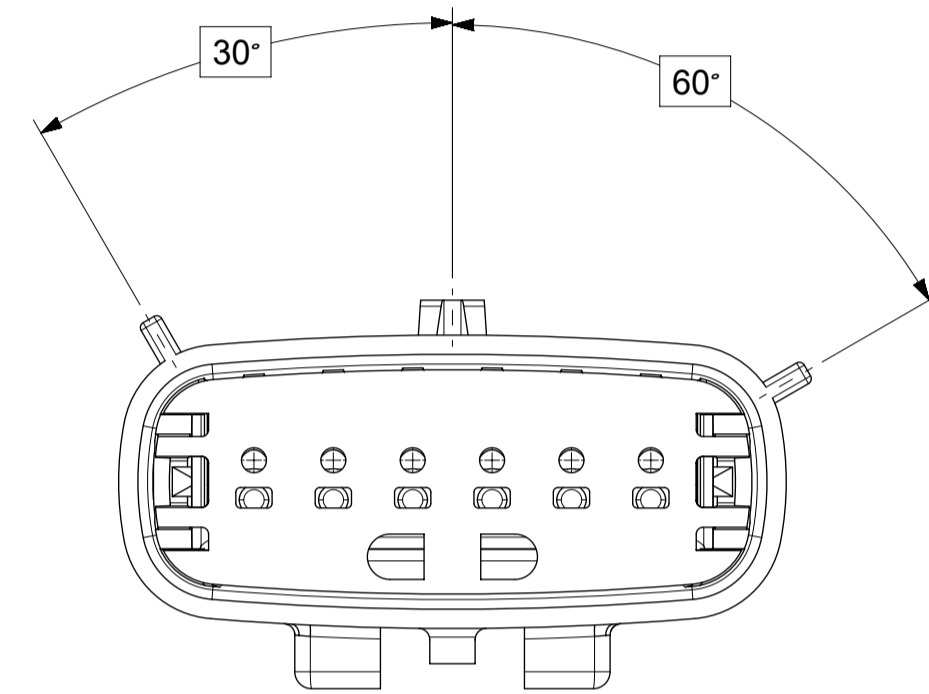
3 OF 9

SHEET DESCRIPTION
KEY CONFIGURATIONS CONT.

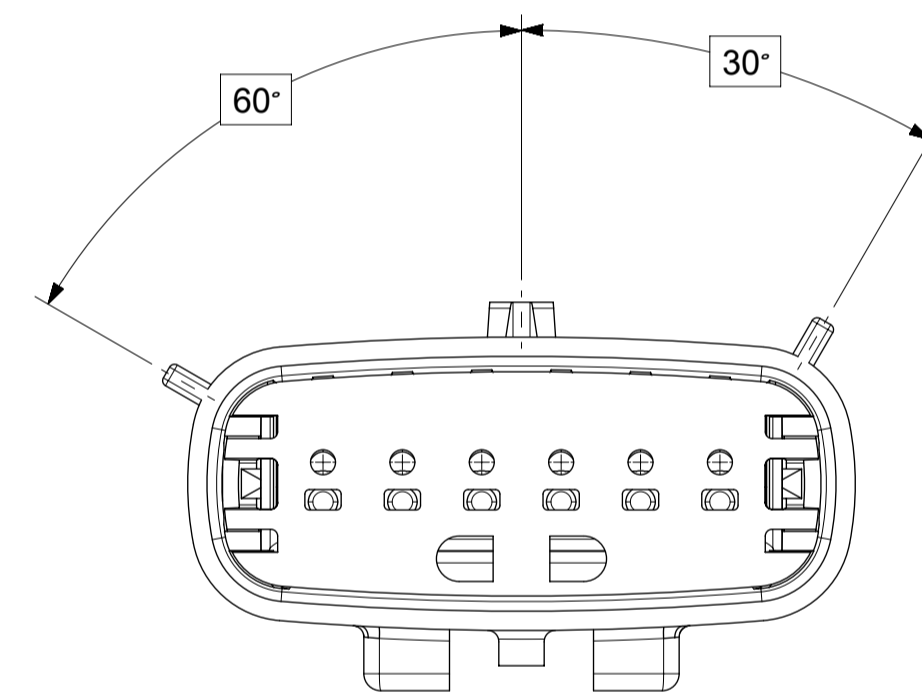
1X6



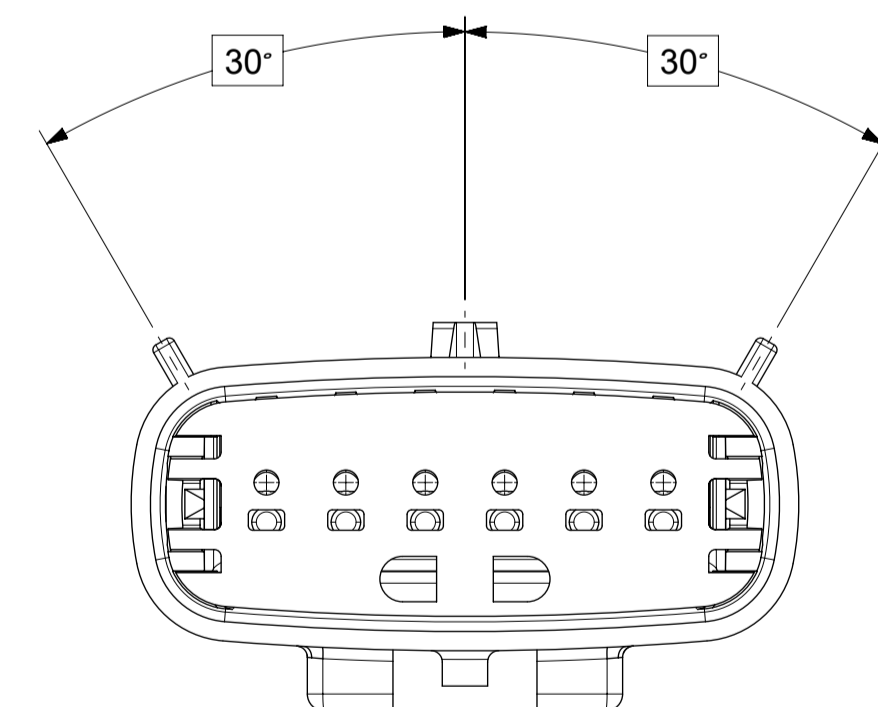
KEY A



KEY B



KEY C



KEY D

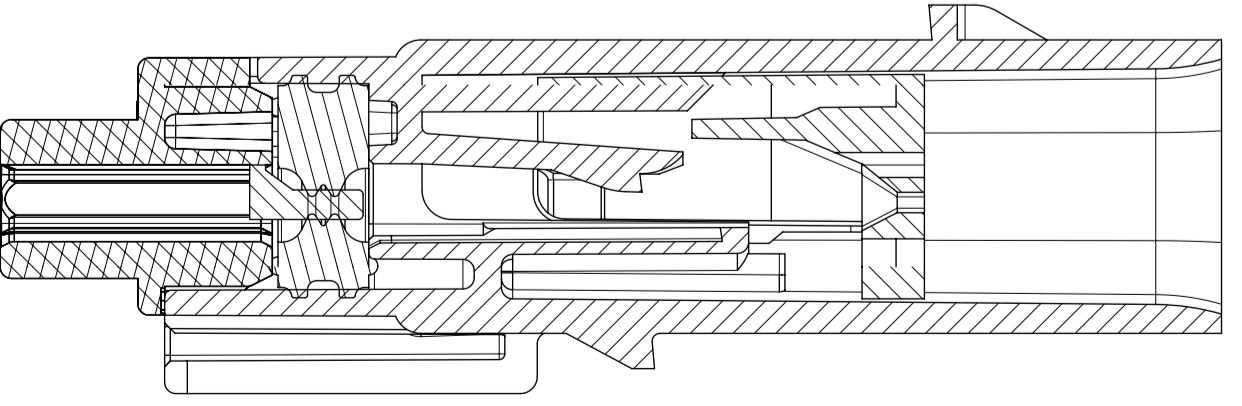
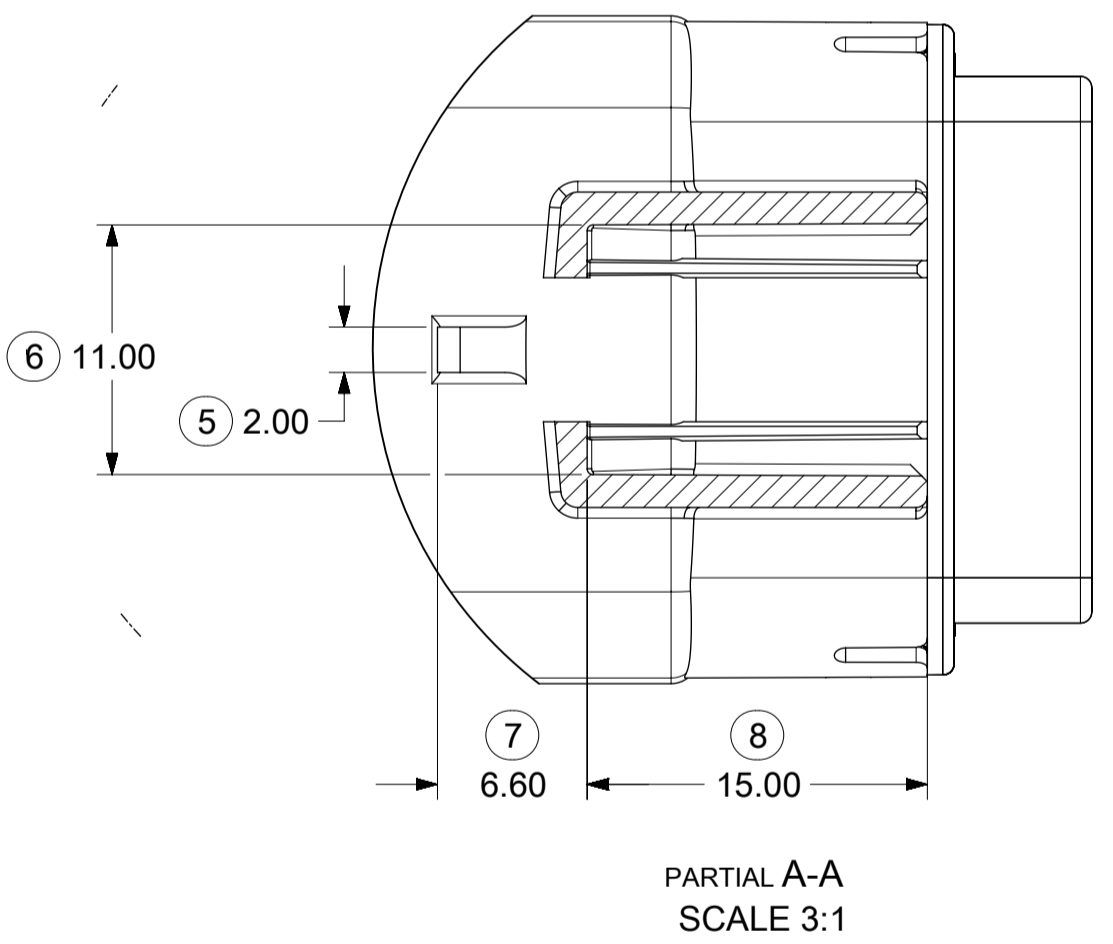
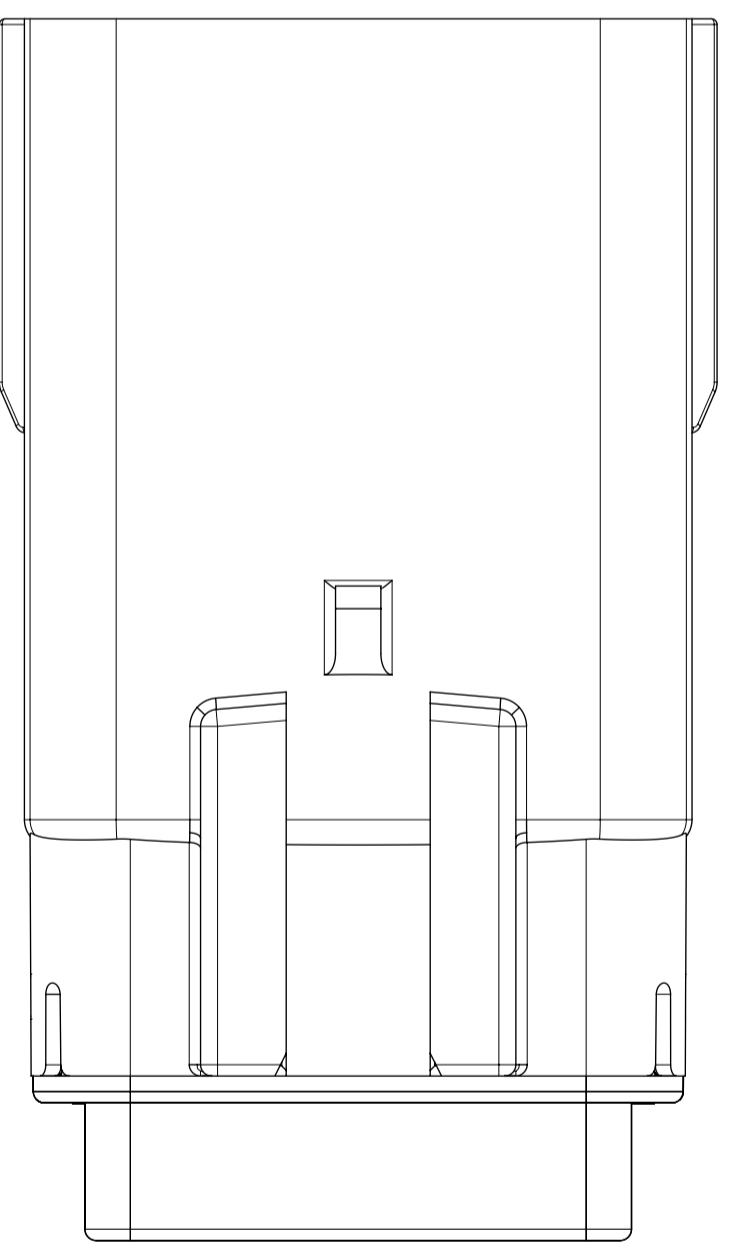
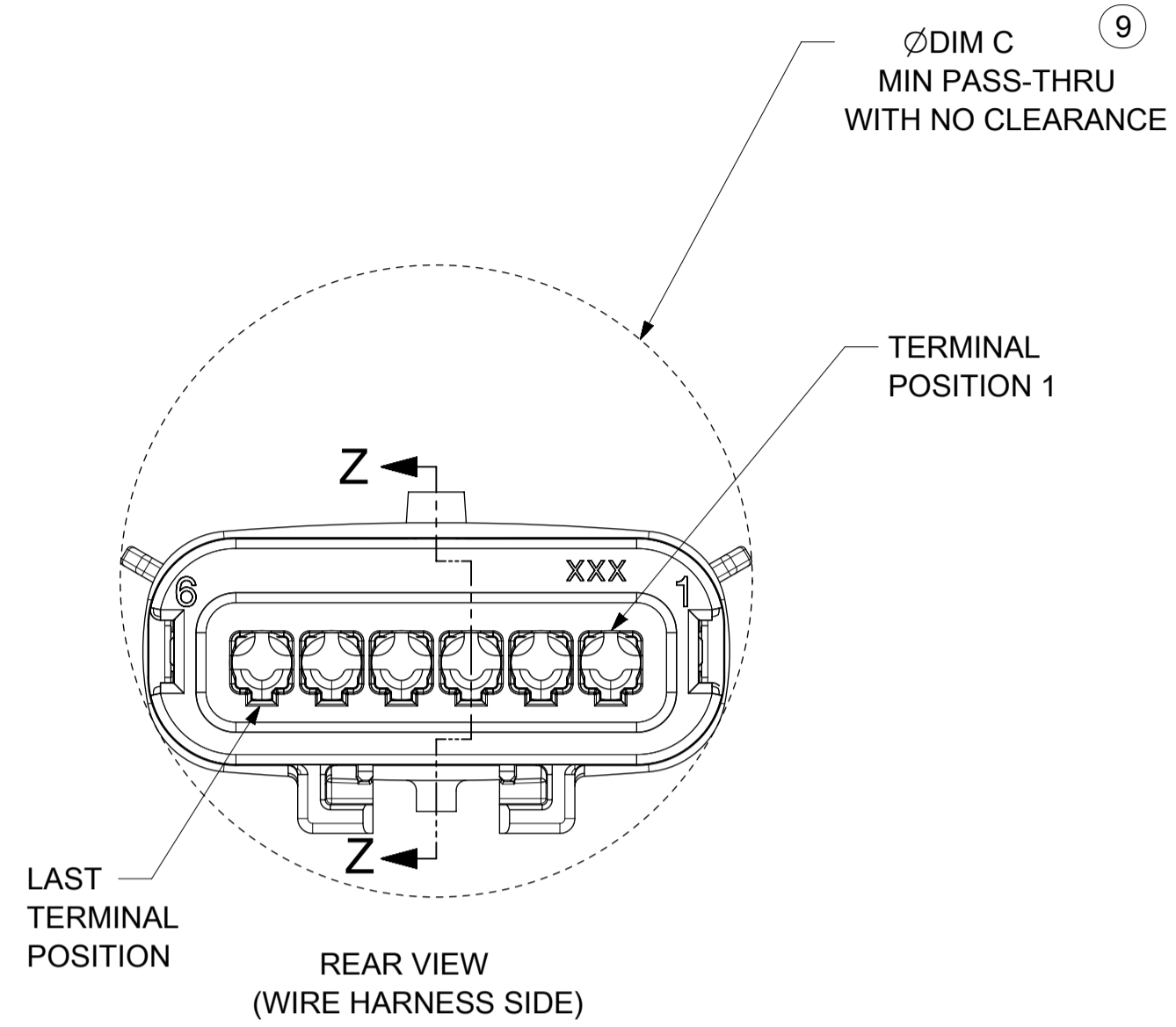
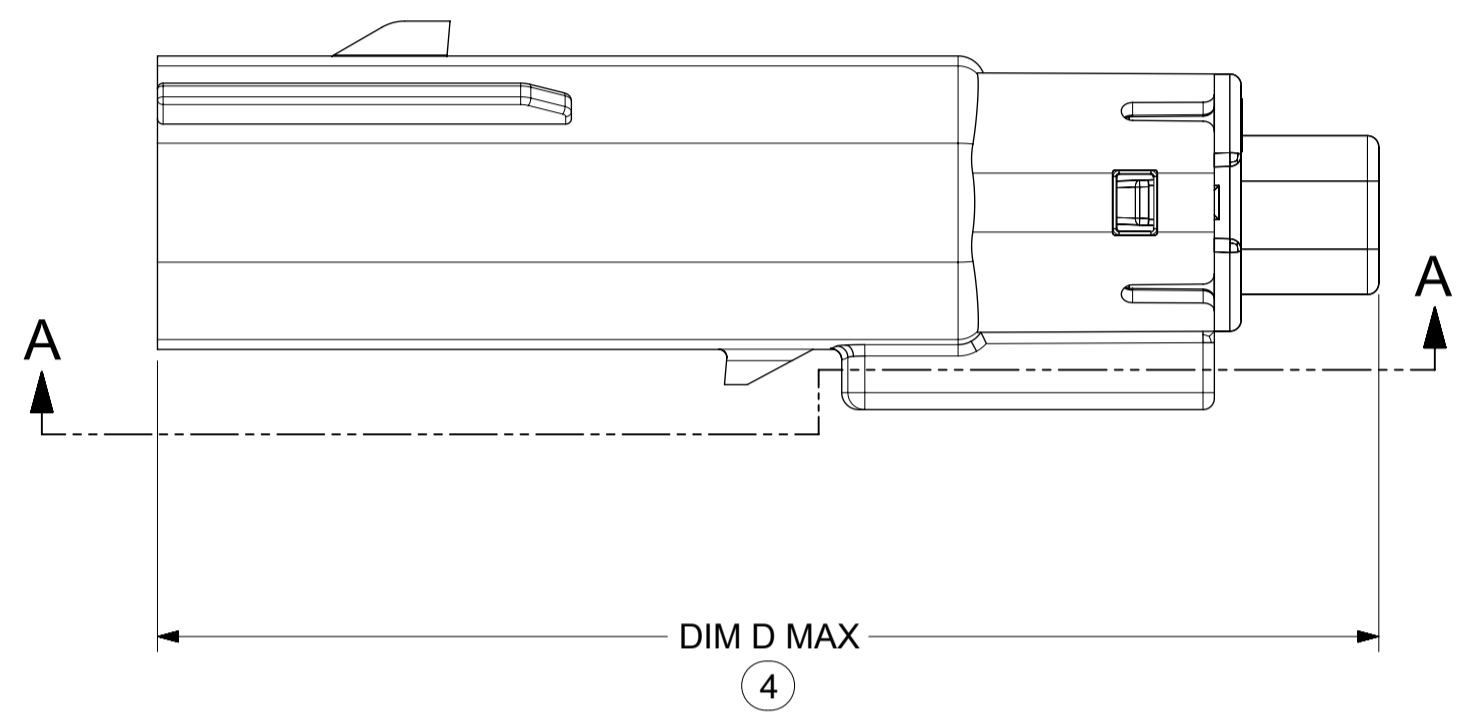
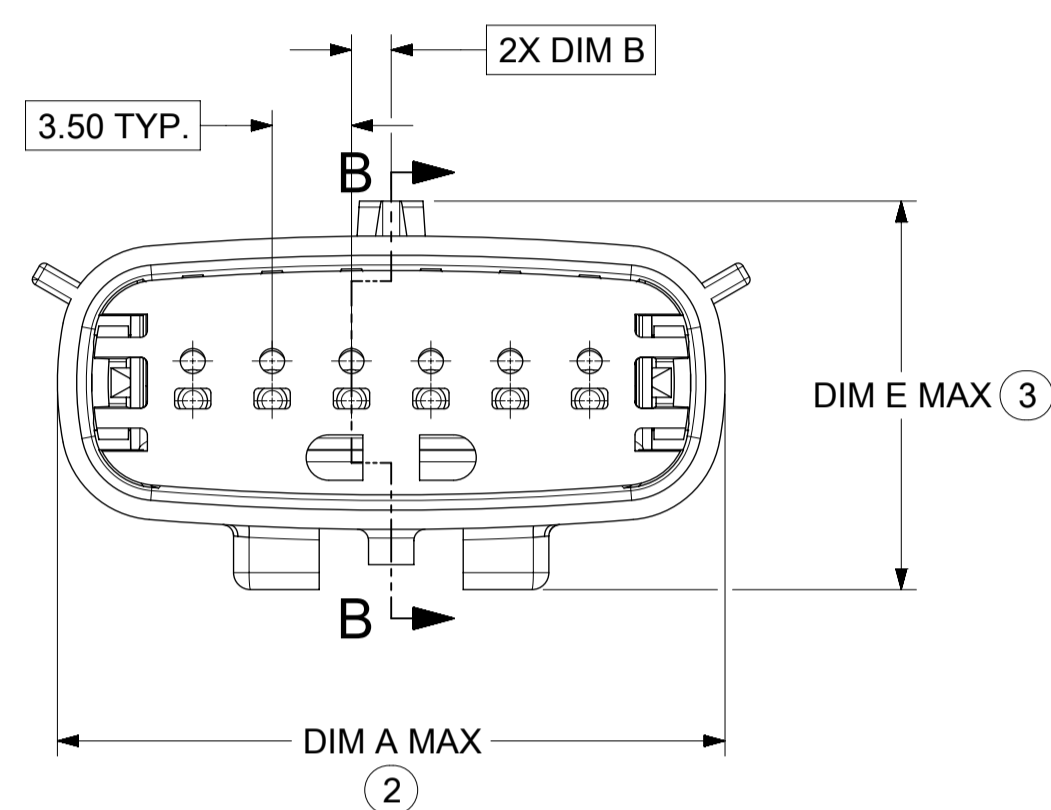
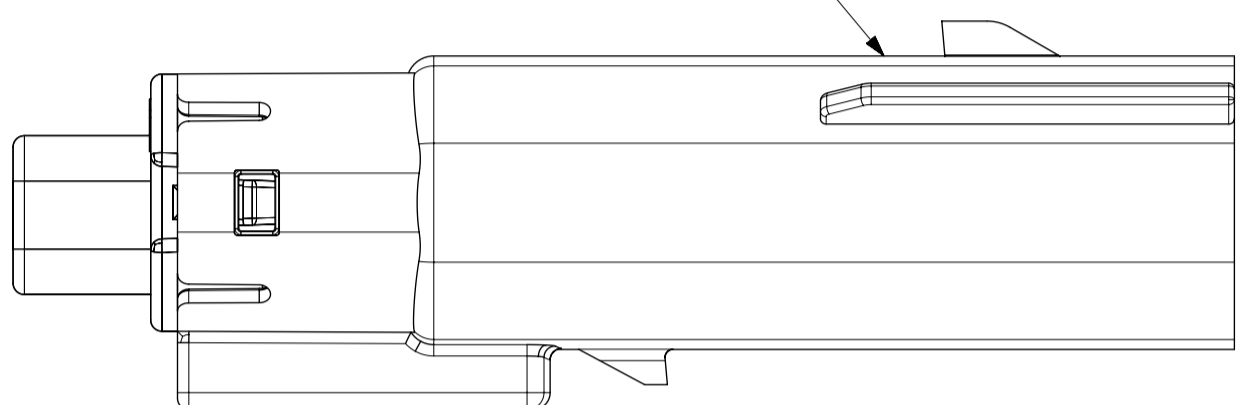
SYMBOLS = 0 = 0 = 0 = 0 = 0 = 0 = 0 = 0 = 0 = 0	THIS DRAWING CONTAINS INFORMATION THAT IS PROPRIETARY TO MOLEX ELECTRONIC TECHNOLOGIES, LLC AND SHOULD NOT BE USED WITHOUT WRITTEN PERMISSION DIMENSION UNITS: MM ONLY SCALE: 3:1	CURRENT REV DESC: EC NO: 602373 DRWN: DSHETTY01 2018/05/25 CHK'D: MVANSLAMBROU 2018/10/04 APPR: MVANSLAMBROU 2018/10/04	 MX150 BLADE SINGLE ROW SEALED ASSY MAT SEAL		
	GENERAL TOLERANCES (UNLESS SPECIFIED) ANGULAR TOL ± 1.0°	INITIAL REVISION: DRWN: APROFFITT 2015/07/21 APPR: KDEKOSKI 2016/06/14			
	4 PLACES ± 3 PLACES ± 2 PLACES ± 0.1 1 PLACE ± 0.2 0 PLACES ±	DRAFT WHERE APPLICABLE MUST REMAIN WITHIN DIMENSIONS	THIRD ANGLE PROJECTION 	DRAWING: A1-SIZE SERIES: 33481	MATERIAL NUMBER: SEE NOTE 2a. CUSTOMER: GENERAL MARKET SHEET NUMBER: 4 OF 9
	DOCUMENT STATUS: P1 RELEASE DATE: 2018/10/04 15:02:02				

SHEET DESCRIPTION

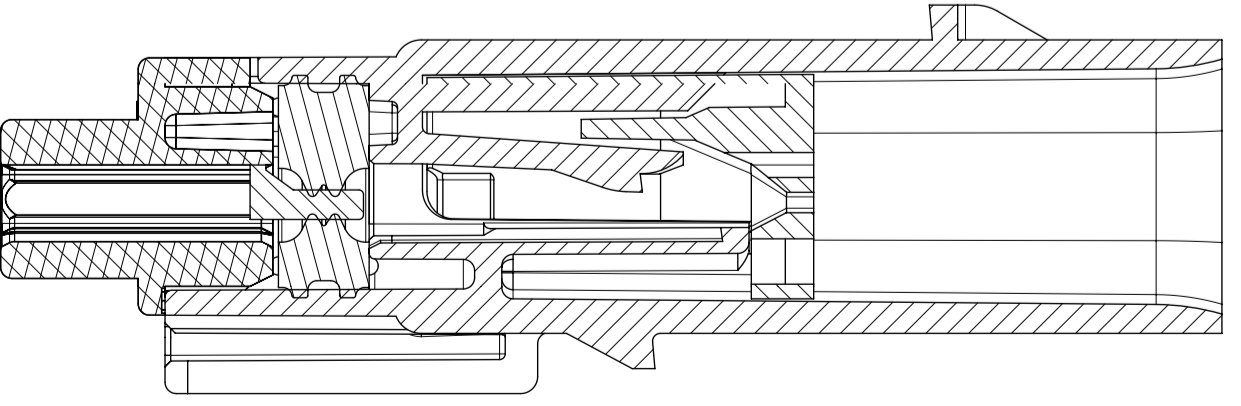
BLADE SEALED ASSEMBLY

DESCRIPTION	DIMENSIONS				
	A	B	C	D	E
1X2	N/A	1.75	21.00	55.50	17.30
1X6	29.69	1.75	31.71	54.45	17.23

OPTIONAL LASER MARKING ON THIS SURFACE SEE NOTE 3g.



PRIMARY LOCK REINFORCEMENT (PLR) SHOWN IN PRE-STAGED POSITION SECTION B-B



PRIMARY LOCK REINFORCEMENT (PLR) SHOWN IN FINAL-LOCK POSITION SECTION Z-Z

THIS DRAWING CONTAINS INFORMATION THAT IS PROPRIETARY TO MOLEX ELECTRONIC TECHNOLOGIES, LLC AND SHOULD NOT BE USED WITHOUT WRITTEN PERMISSION

SYMBOLS	DIMENSION UNITS	SCALE	CURRENT REV DESC:		
▽ = 0	MM ONLY	3:1	EC NO: 602373		
▽ = 0	GENERAL TOLERANCES (UNLESS SPECIFIED)		DRWN: DSHETTY01	2018/05/25	
▽ = 0	ANGULAR TOL ± 1.0°		CHK'D: MVANSLAMBROU	2018/10/04	
▽ = 0	4 PLACES	±	APPR: MVANSLAMBROU	2018/10/04	
▽ = 0	3 PLACES	±	INITIAL REVISION:		
▽ = 0	2 PLACES	± 0.1	DRWN: APROFFITT	2015/07/21	
▽ = 0	1 PLACE	± 0.2	APPR: KDEKOSKI	2016/06/14	
▽ = 0	0 PLACES	±	THIRD ANGLE PROJECTION		
▽ = 0	DRAFT WHERE APPLICABLE MUST REMAIN WITHIN DIMENSIONS		DRAWING	SERIES	
			A1-SIZE	33481	

molex

MX150 BLADE SINGLE ROW SEALED ASSY MAT SEAL

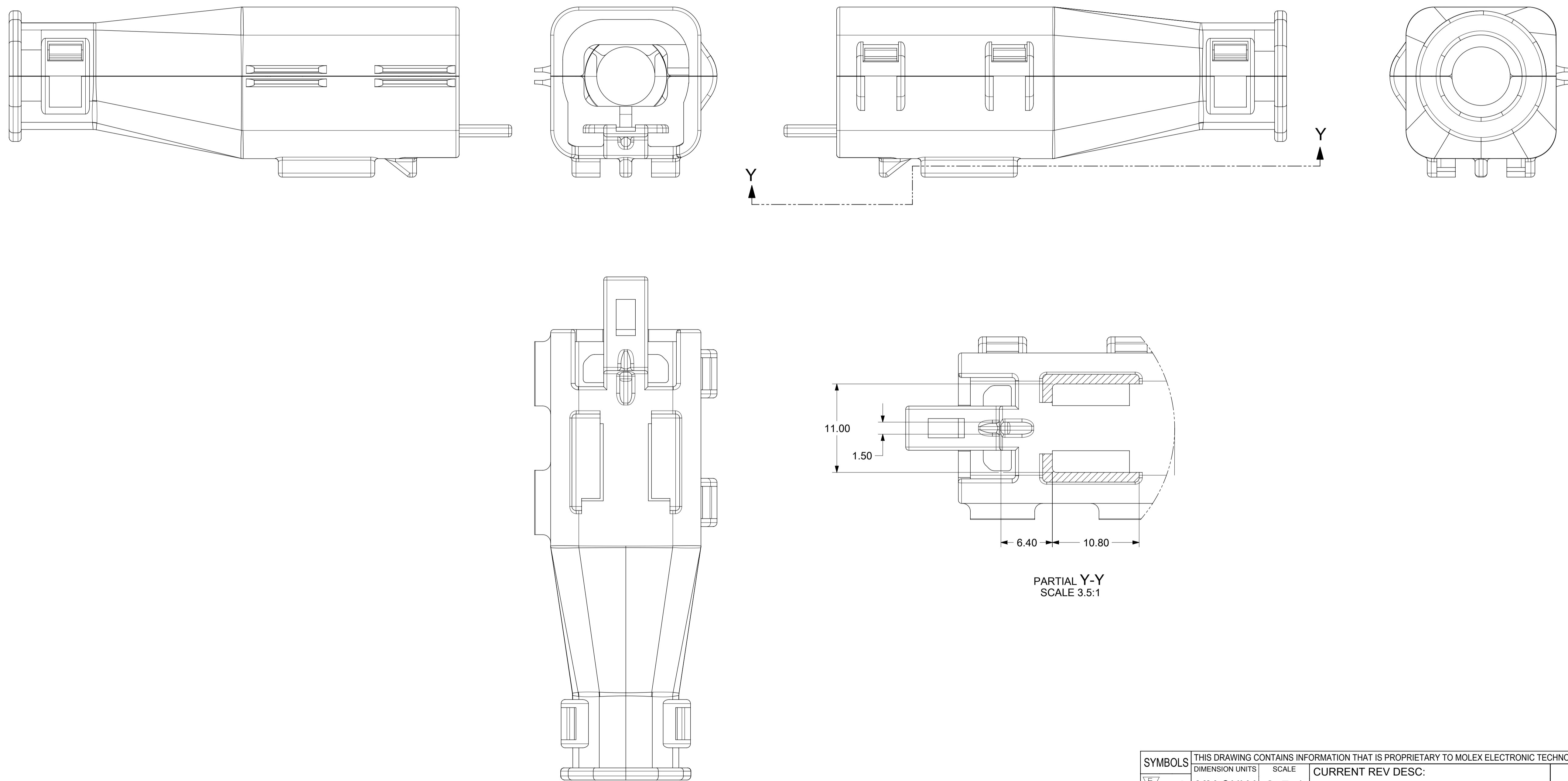
PRODUCT CUSTOMER DRAWING

DOCUMENT NUMBER: SD-33481-0001
DOC TYPE: PSD
DOC PART: 001
REVISION: A1

MATERIAL NUMBER: SEE NOTE 2a.
CUSTOMER: GENERAL MARKET
SHEET NUMBER: 5 OF 9

DOCUMENT STATUS	P1	RELEASE DATE	2018/10/04	15:02:02
-----------------	----	--------------	------------	----------

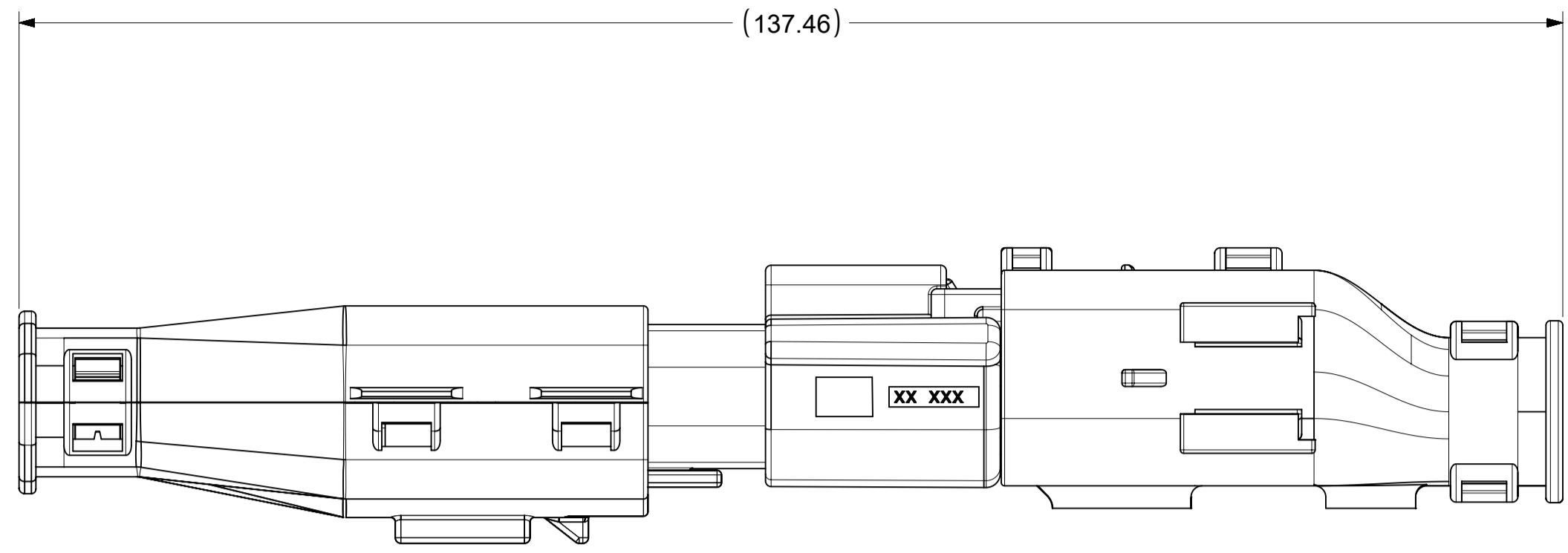
SHEET DESCRIPTION
BACKSHELL



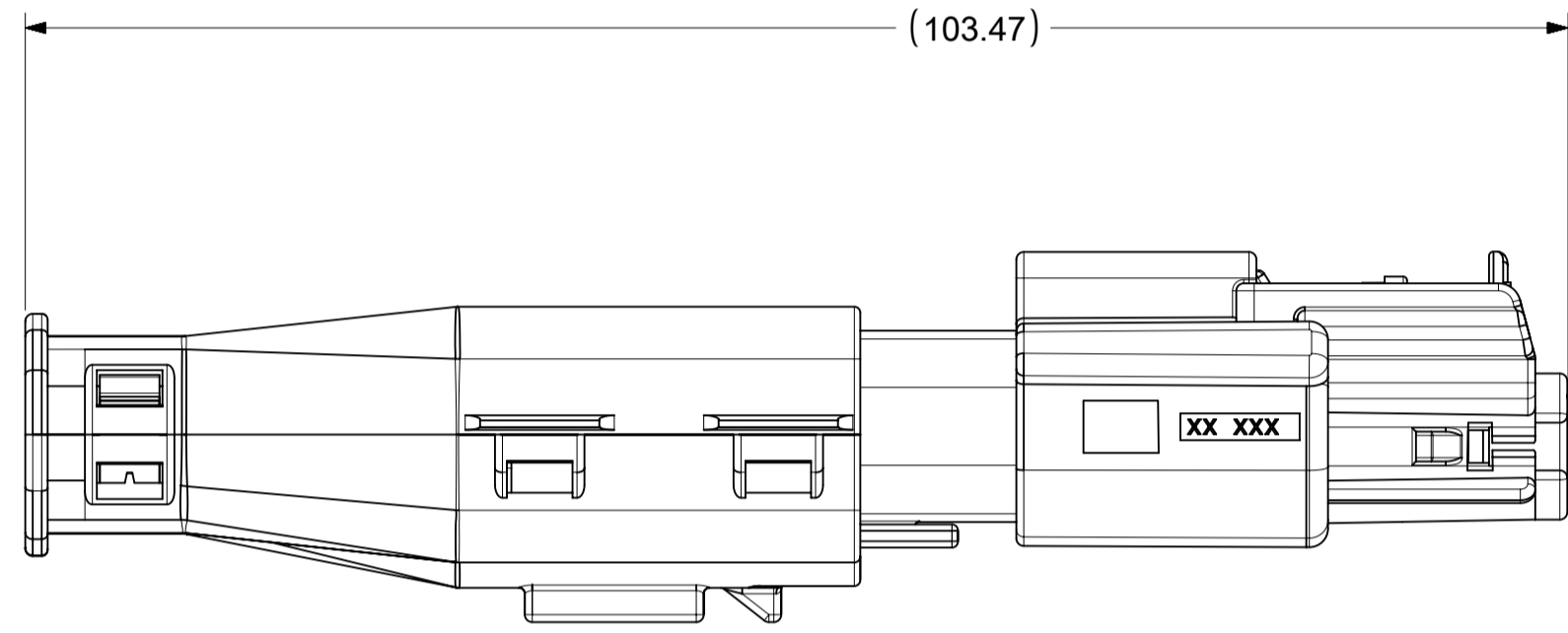
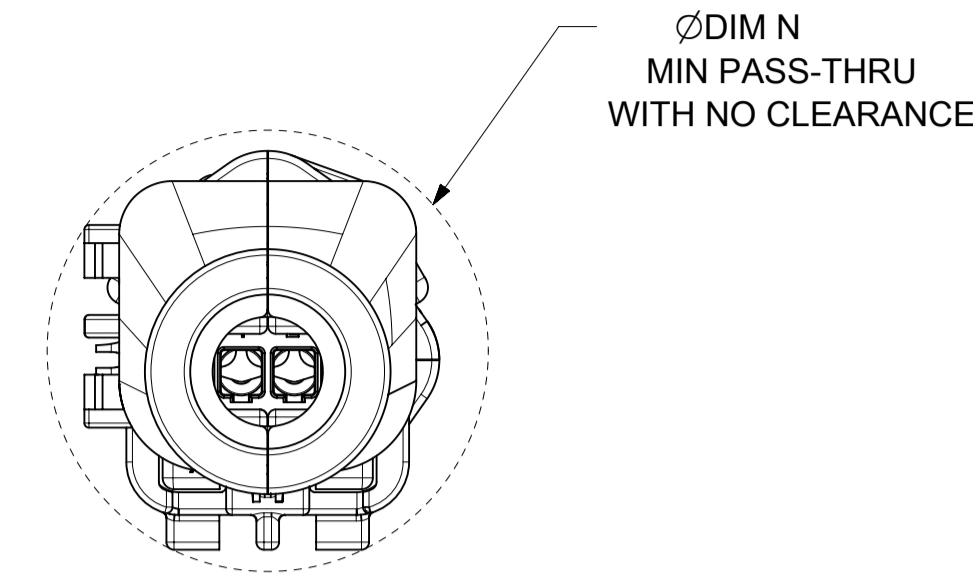
SYMBOLS		THIS DRAWING CONTAINS INFORMATION THAT IS PROPRIETARY TO MOLEX ELECTRONIC TECHNOLOGIES, LLC AND SHOULD NOT BE USED WITHOUT WRITTEN PERMISSION		CURRENT REV DESC:			 MX150 BLADE SINGLE ROW SEALED ASSY MAT SEAL			
DIMENSION UNITS	SCALE			EC NO:	DRWN:	DATE				DOCUMENT NUMBER
= 0	MM ONLY	3.5:1		602373	DSHETTY01	2018/05/25	SD-33481-0001	PSD	001	A1
= 0	GENERAL TOLERANCES (UNLESS SPECIFIED)			CHK'D: MVANSLAMBROU	2018/10/04					
= 0	ANGULAR TOL ± 1.0°			APPR: MVANSLAMBROU	2018/10/04					
= 0	4 PLACES ±			INITIAL REVISION:						
= 0	3 PLACES ±			DRWN: APROFFITT	2015/07/21					
= 0	2 PLACES ± 0.1			APPR: KDEKOSKI	2016/06/14					
= 0	1 PLACE ± 0.2			THIRD ANGLE PROJECTION						
= 0	0 PLACES ±			DRAWING	SERIES					
= 0	DRAFT WHERE APPLICABLE MUST REMAIN WITHIN DIMENSIONS			A1-SIZE	33481		SEE NOTE 2a.	GENERAL MARKET		SHEET NUMBER
= 0										8 OF 9

SHEET DESCRIPTION
BACKSHELL CONFIGURATIONS

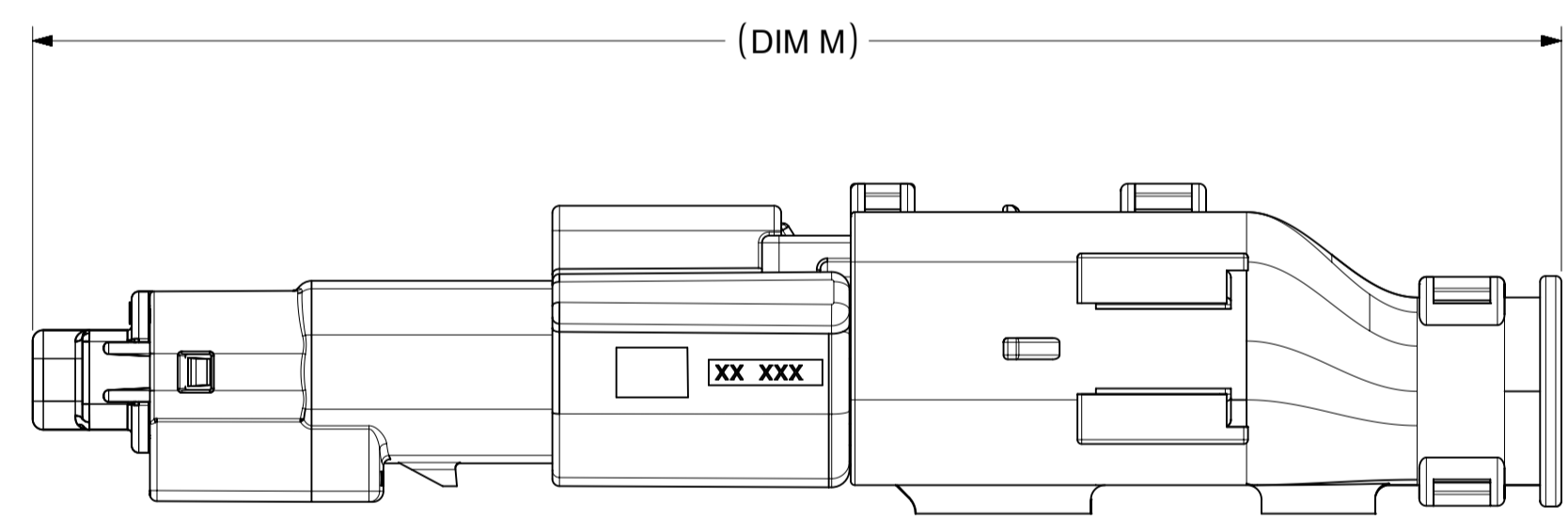
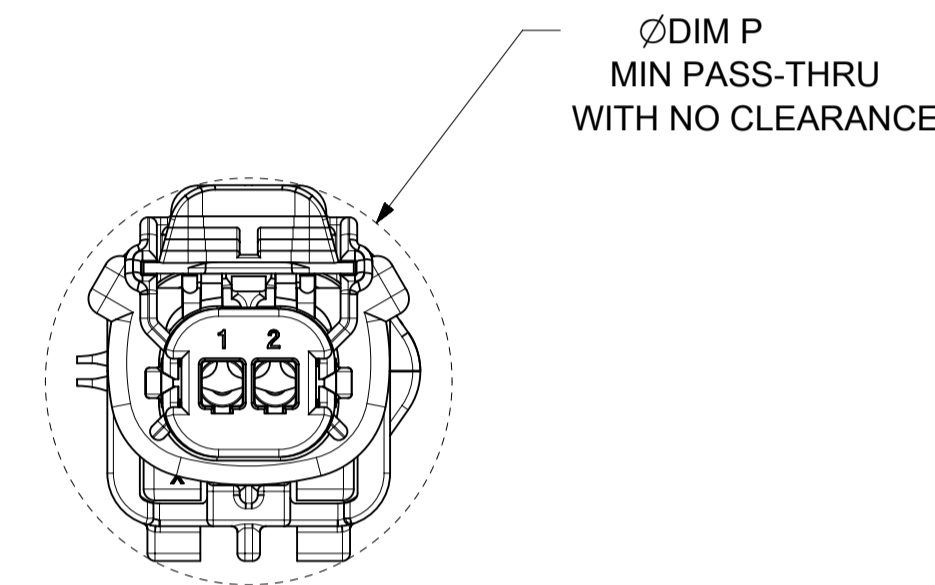
CKT	BLADE CONFIGURATION	RECEPTACLE CONFIGURATION	DIMENSIONS				
			M	N	P	R	S
1X2	STANDARD	STANDARD	107.84	29.50	27.00	26.25	25.00



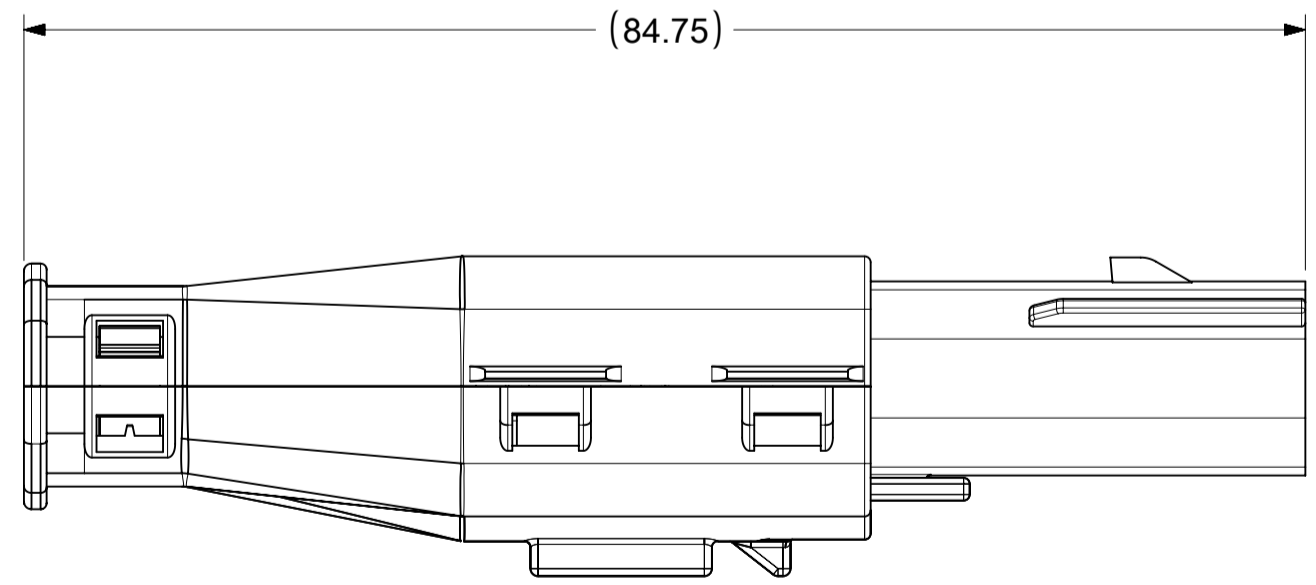
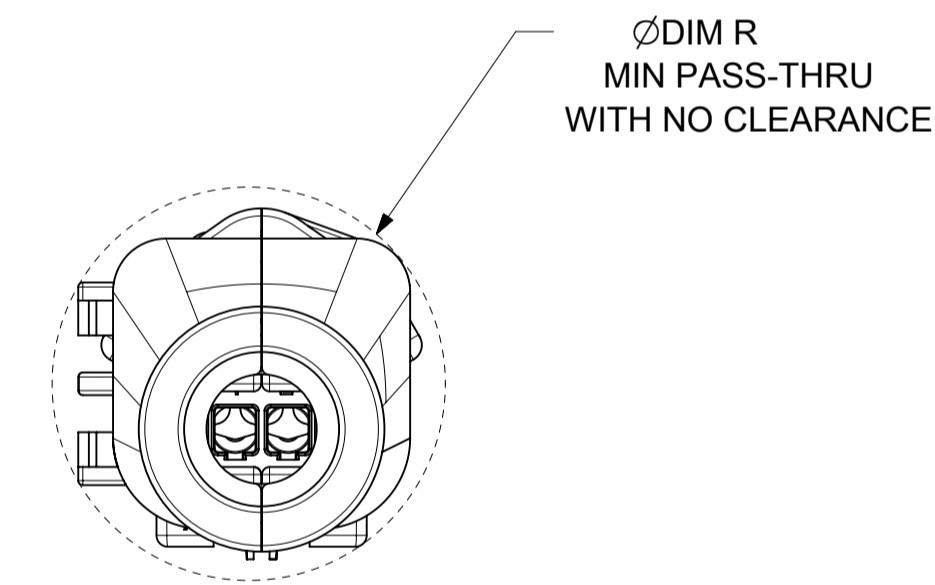
OVERALL MATED SYSTEM WITH BLADE AND RECEPTACLE BACKSHELL



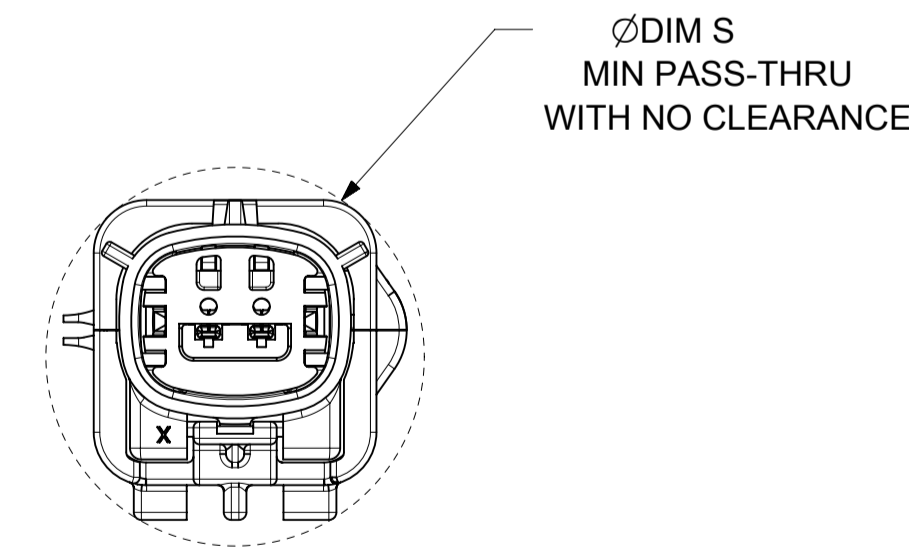
OVERALL MATED SYSTEM WITH BLADE BACKSHELL



OVERALL MATED SYSTEM WITH RECEPTACLE BACKSHELL

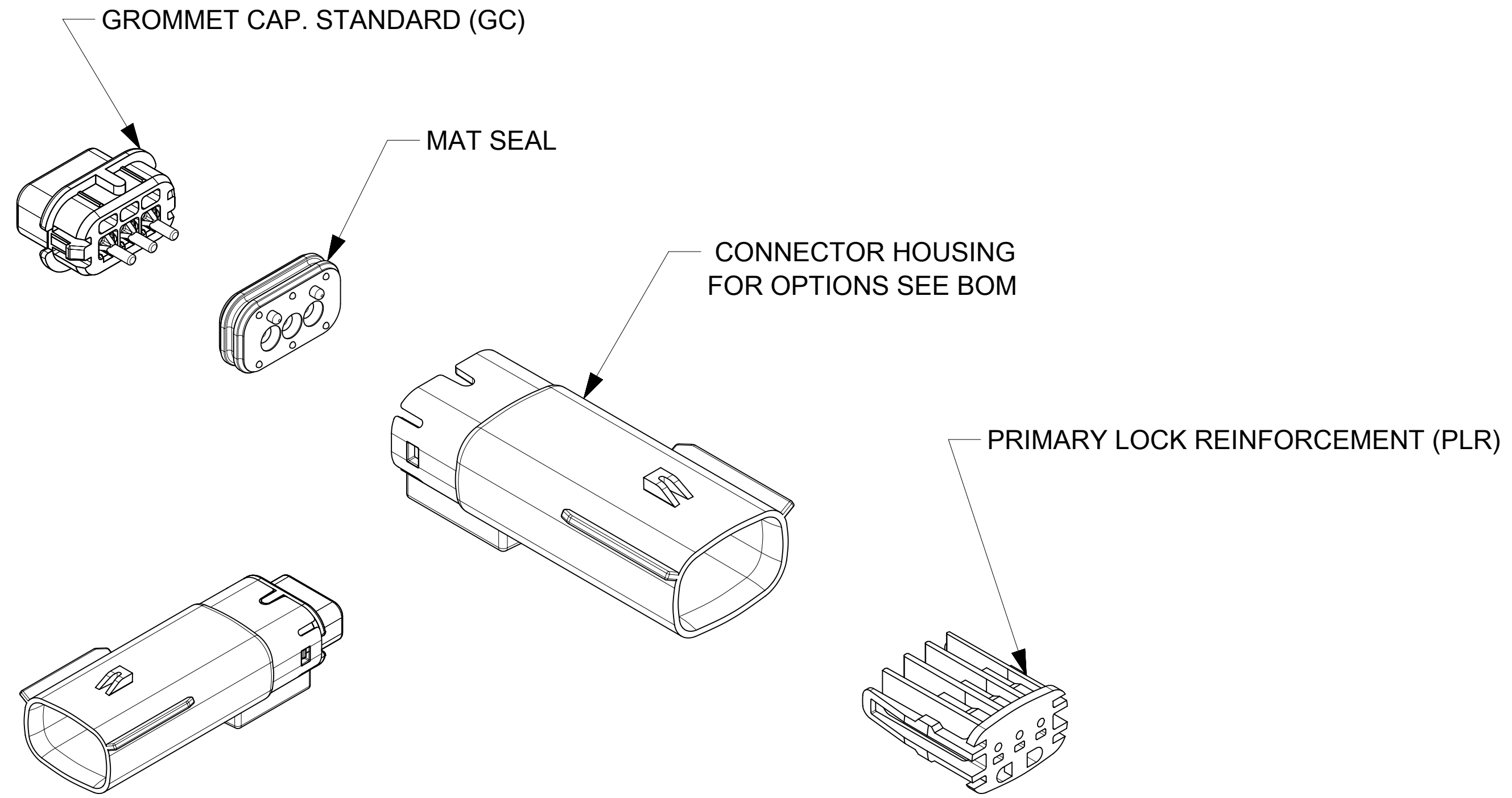


BLADE SEALED ASSEMBLY WITH BLADE BACKSHELL

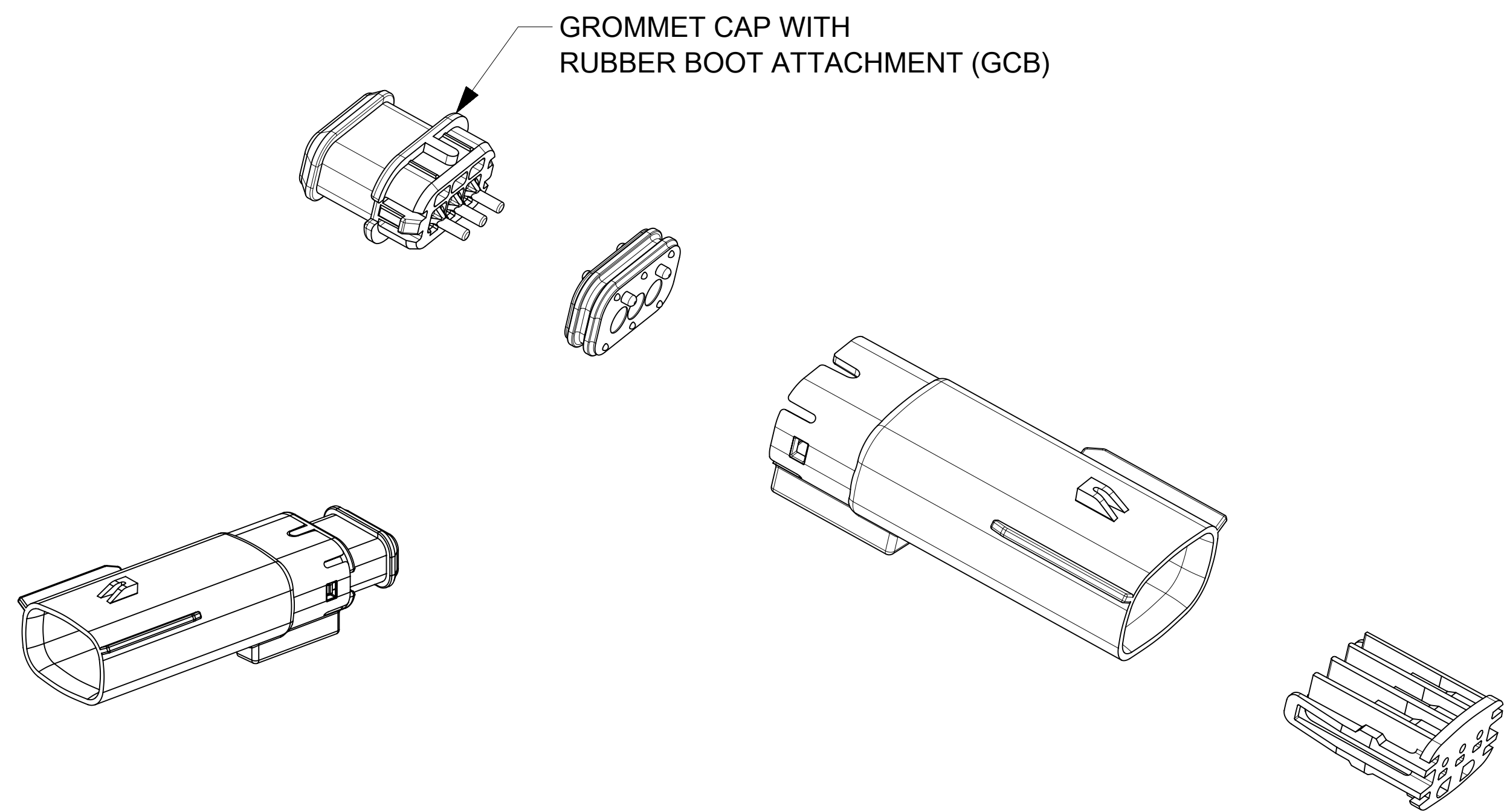


SYMBOLS = 0 = 0 = 0 = 0 = 0 = 0 = 0 = 0 = 0 = 0	THIS DRAWING CONTAINS INFORMATION THAT IS PROPRIETARY TO MOLEX ELECTRONIC TECHNOLOGIES, LLC AND SHOULD NOT BE USED WITHOUT WRITTEN PERMISSION DIMENSION UNITS: MM ONLY SCALE: 2:1	CURRENT REV DESC: EC NO: 602373 DRWN: DSHETTY01 2018/05/25 CHK'D: MVANSLAMBROU 2018/10/04 APPR: MVANSLAMBROU 2018/10/04 INITIAL REVISION: DRWN: APROFFITT 2015/07/21 APPR: KDEKOSKI 2016/06/14	 MX150 BLADE SINGLE ROW SEALED ASSY MAT SEAL		
	GENERAL TOLERANCES (UNLESS SPECIFIED) ANGULAR TOL ± 1.0° 4 PLACES ± 3 PLACES ± 2 PLACES ± 0.1 1 PLACE ± 0.2 0 PLACES ±	DRAFT WHERE APPLICABLE MUST REMAIN WITHIN DIMENSIONS	THIRD ANGLE PROJECTION 	DRAWING: A1-SIZE SERIES: 33481	MATERIAL NUMBER: SEE NOTE 2a. CUSTOMER: GENERAL MARKET

TABLE OF CONTENTS	
SHEET NO.	SHEET DESCRIPTION
1	NOTES
2	KEY CONFIGURATIONS
3	BLADE SEALED ASSEMBLY
4	SYSTEM PACKAGING
5	RUBBER BOOT CONFIGURATION
6	BOM
7	RUBBER BOOT INTERFACE



MX150 1X3 BLADE SEALED ASSEMBLY - STANDARD (STD)



MX150 1X3 BLADE SEALED ASSEMBLY - RUBBER BOOT CONFIGURATION
UNLESS COMPONENT NOTED, SEE STANDARD ASSEMBLY

NOTES: VALID UNLESS OTHERWISE SPECIFIED

1. GENERAL:

a. APPLICATION SPECIFICATION SEE: AS-33472-100

- CONTAINS: PRODUCT INTRODUCTION, PRODUCT SUMMARY, CONNECTOR ASSEMBLY, PACKAGING INFORMATION, CONNECTOR MATING, SERVICE INSTRUCTIONS, ELECTRICAL CONTINUITY CHECKING, CRIMPING, AND TROUBLESHOOTING.
- DESIGNED TO MATE WITH RECEPTACLE SEALED ASSEMBLY SPECIFIED IN MOLEX DRAWING SD-33471-031.
- FOR 1.5mm BLADE TERMINALS TO BE USED WITH THIS ASSEMBLY SEE MOLEX DRAWING SD-33000-001.
- SYSTEM TO BE USED WITH WIRE WITHIN DIAMETER RANGE OF 1.2mm TO 2.69mm.
- ASSEMBLY SHIPPED WITH PLR IN PRE-LOCK POSITION
- IN THE EVENT THAT THE PLR IS FOUND IN THE SEATED (FINAL LOCK) POSITION, REFER TO MOLEX SPECIFICATION PS-34646-001, AVAILABLE AT www.molex.com <<http://www.molex.com>>
- ASSEMBLY CONFORMS TO SAE/USCAR-2 REV.4 WITH THE FOLLOWING EXCEPTIONS: TERMINAL INSERTION FORCE FOR WIRE DIAMETER ABOVE 2.5mm NOT EXCEEDING 2.69mm SHALL NOT EXCEED 45 NEWTONS.

b. PRODUCT SPECIFICATION SEE: PS-33471-000

- CONTAINS: PRODUCT INTRODUCTION, PRODUCT SUMMARY, RATINGS (CURRENT, TEMPERATURE, SEALING, AND FLAMMABILITY), AND PRODUCT VALIDATION.

c. PACKAGING SPECIFICATION PER MOLEX DRAWING: PK-31300-635

d. PARTS MUST BE IN COMPLIANCE TO MOLEX CHEMICAL SUBSTANCES FOR PRODUCTS AND PACKAGING SPECIFICATION: ES-40000-5016

e. DATA MUST BE SUBMITTED UNDER THE MOLEX PART NUMBER TO IMDS (COMPANY ID#13255)

2. DESIGN - MATERIALS:

- a. CONNECTOR HOUSING, GROMMET CAP, PLR: SPS/NYLON BLEND 20% GLASS FILLED
- b. MAT SEAL: INHERENTLY LUBRICATED SILICONE

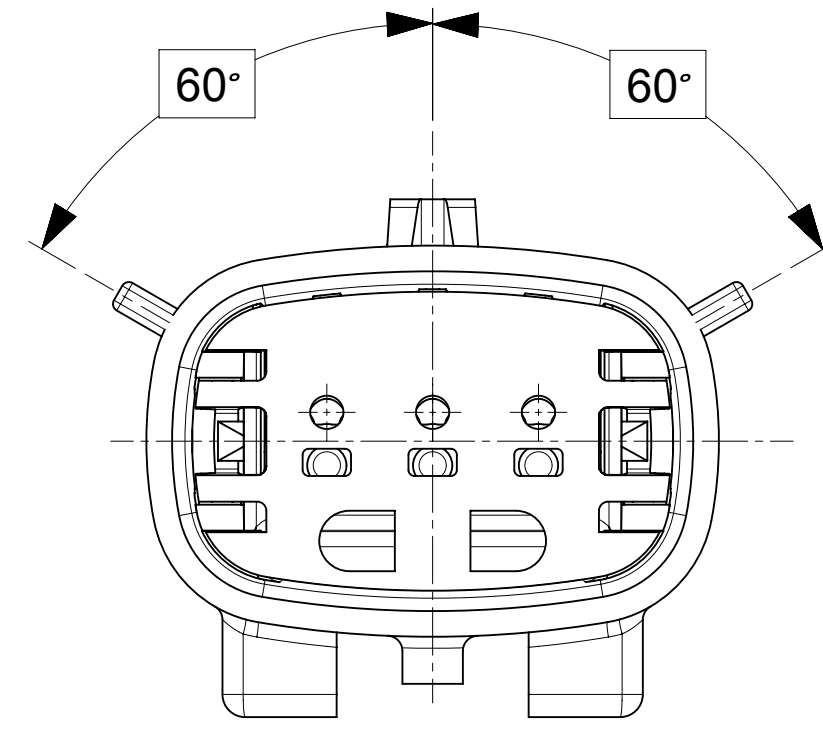
3. DESIGN - GEOMETRY:

- a. THIS IS A 100% CAD GENERATED PART. THE CAD MATHEMATICAL DATA IS THE MASTER FOR THIS PART. FOR DIMENSIONAL OR ANY INFORMATION NOT SHOWN ON THIS DRAWING, ANALYZE THE CAD MODEL.
- b. GEOMETRIC DIMENSIONS AND TOLERANCES PER ASME Y14.5M - 1994
- c. EDGES AND UNDIMENSIONED DETAILS PER ISO13715
- d. CORNERS SHOWN AS SHARP TO BE R 0.2 MAX.
- e. LETTERING SHALL BE 0.15 MAX RAISED IN 0.25 MAX RECESS PAD. THIS INCLUDES RECYCLING CODE, CAVITY ID, VENDOR IDENTIFICATION, AND CUSTOMER MATERIAL NUMBER.
- f. VISUAL DEFECTS SHALL MEET COSMETIC STANDARD PS-45499-002 (Class B)
- g. LASER MARKING: TBD

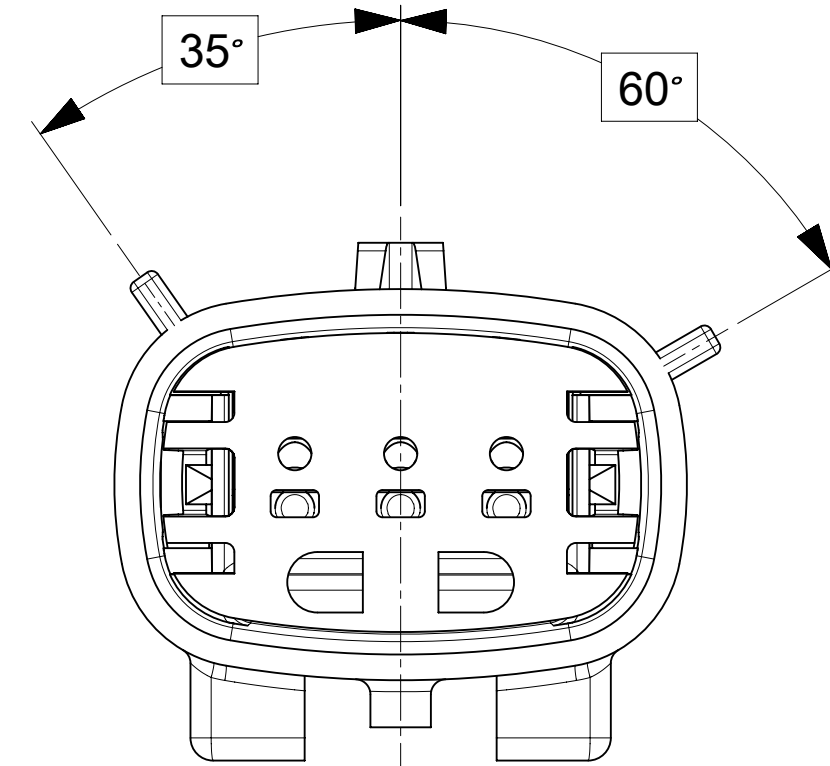
INSPECTION NUMBER LOG
LAST NUMBER USED: 21
ADDED:
REMOVED:

R5	ADDED STATUS COLUMN
R4	ADD P/Ns 33481-3301 TO 33481-3341
R3	DEVIATED THE DIM 16
R2	RELEASED P/N 33481-0341
R1	RELEASED P/N 33481-0340, DELETED P/N 33481-0331
R	ADD RUBBER BOOT CONFIGURATION
Q	UPDATE P/N 33481-0326 TO 33481-0330
P	ADD NEW P/N 33481-0326
N	UPDATED GROMMET CAP
M3	UPDATED DIMENSIONS TO MATCH MODEL
M2	COLOR REPLACEMENT FOR KEY C AND D PER USCAR STANDARD
M1	UPDATED NOTES
M	REDRAWN
REV	DESCRIPTION

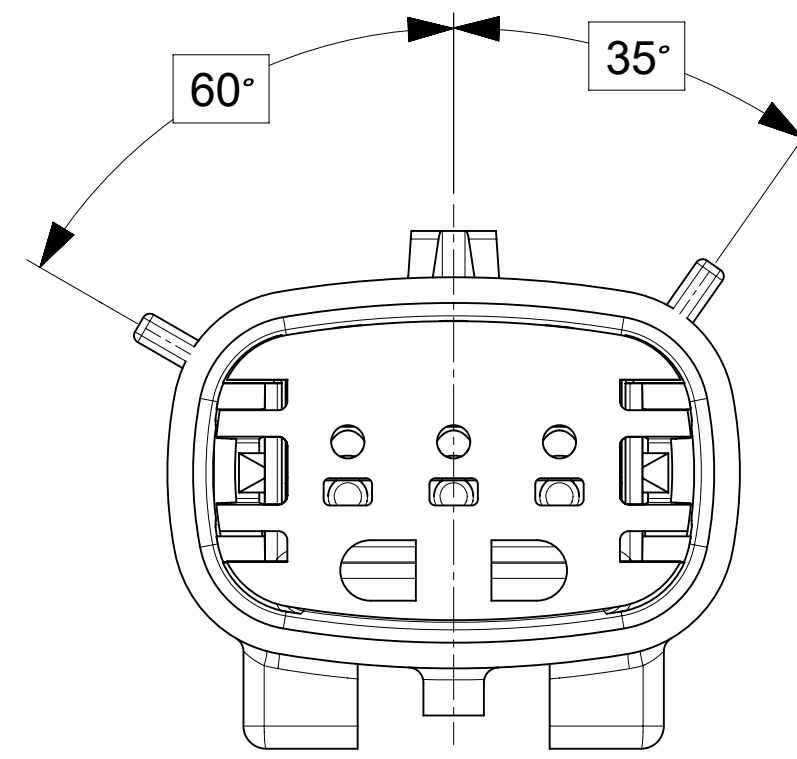
THIS DRAWING CONTAINS INFORMATION THAT IS PROPRIETARY TO MOLEX ELECTRONIC TECHNOLOGIES, LLC AND SHOULD NOT BE USED WITHOUT WRITTEN PERMISSION									
DIMENSION UNITS		SCALE		CURRENT REV DESC: SEE REVISION TABLE					
mm		3:1		<p>EC NO: 645317 DRWN: MKP 2020/08/10 CHK'D: MJMITCHELL 2020/09/21 APPR: MJMITCHELL 2020/09/21</p> <p>INITIAL REVISION: DRWN: DMARCOUX 06-12-02 APPR: FHOLUB 06-12-02</p> <p>DRAFT WHERE APPLICABLE MUST REMAIN WITHIN DIMENSIONS</p>					
GENERAL TOLERANCES (UNLESS SPECIFIED)									
	MM	INCH							
4 PLACES	±		±						
3 PLACES	±		±						
2 PLACES	±	0.1	±						
1 PLACE	±	0.3	±						
0 PLACES	±		±						
ANGULAR TOL		± 3.0 °		<p>THIRD ANGLE PROJECTION</p> <p>DRAWING SERIES: D-SIZE 33481</p>					
DOCUMENT NUMBER		DOC TYPE		DOC PART		REVISION			
SD-33481-031		PSD		001		R5			
MATERIAL NUMBER		CUSTOMER		SHEET NUMBER					
SEE BOM		GENERAL MARKET		1 OF 7					



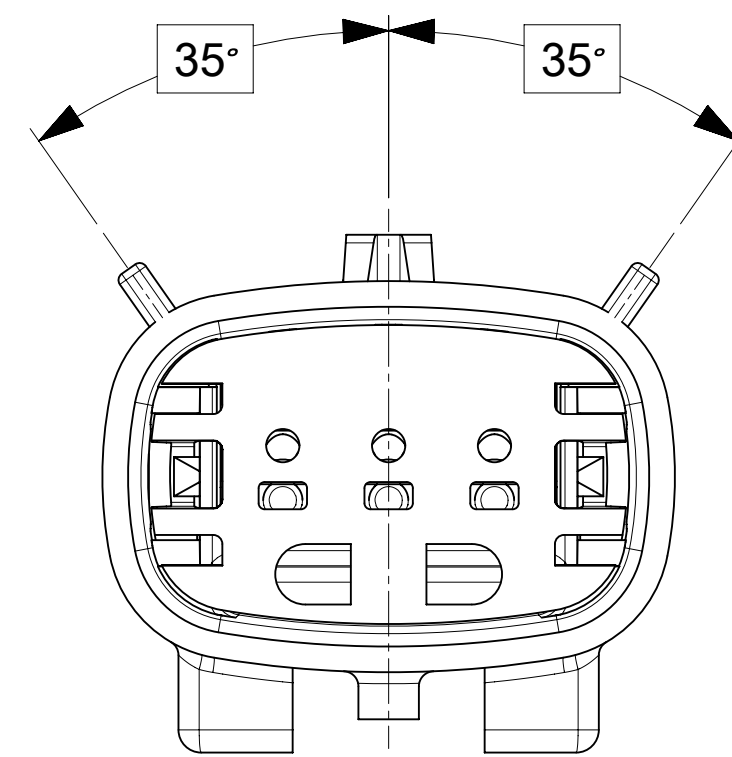
KEY A



KEY B



KEY C

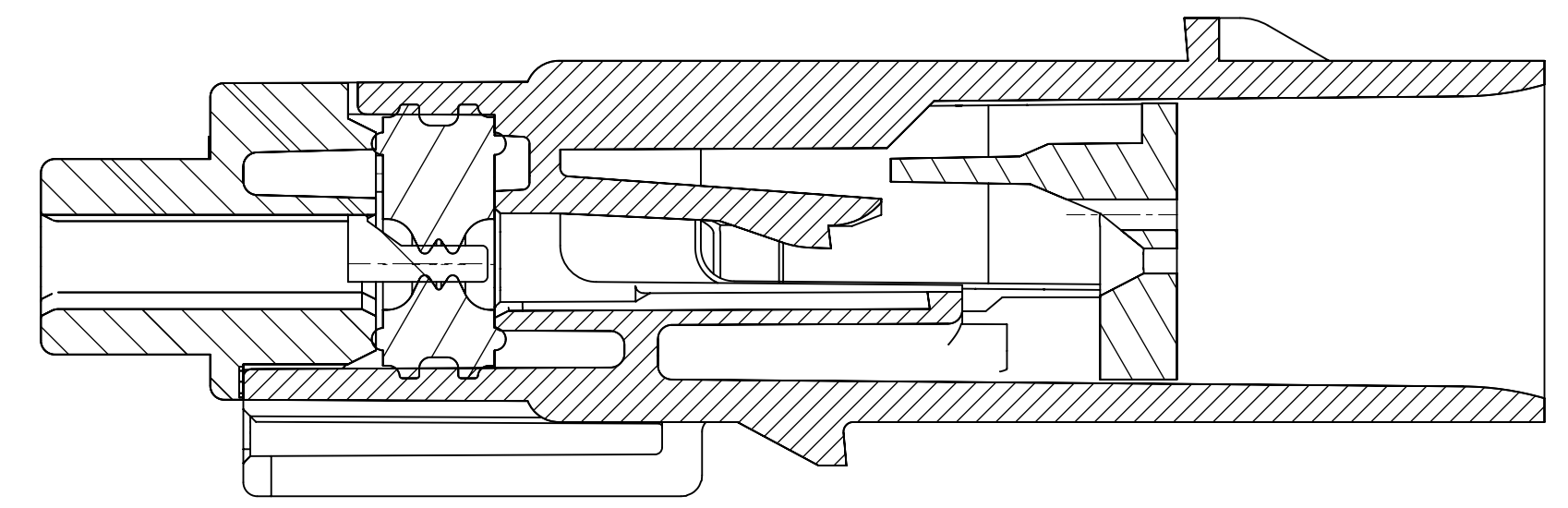
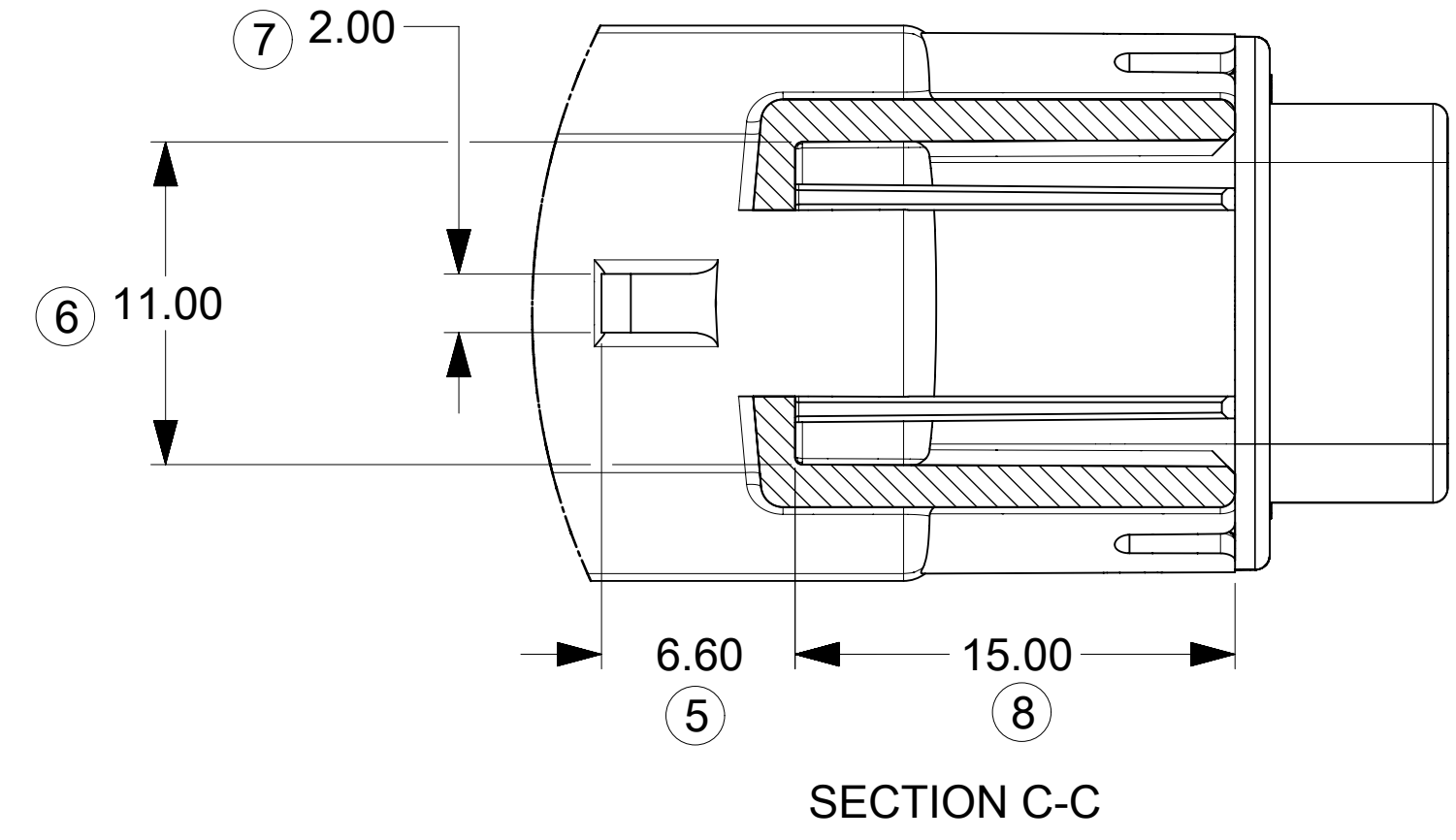
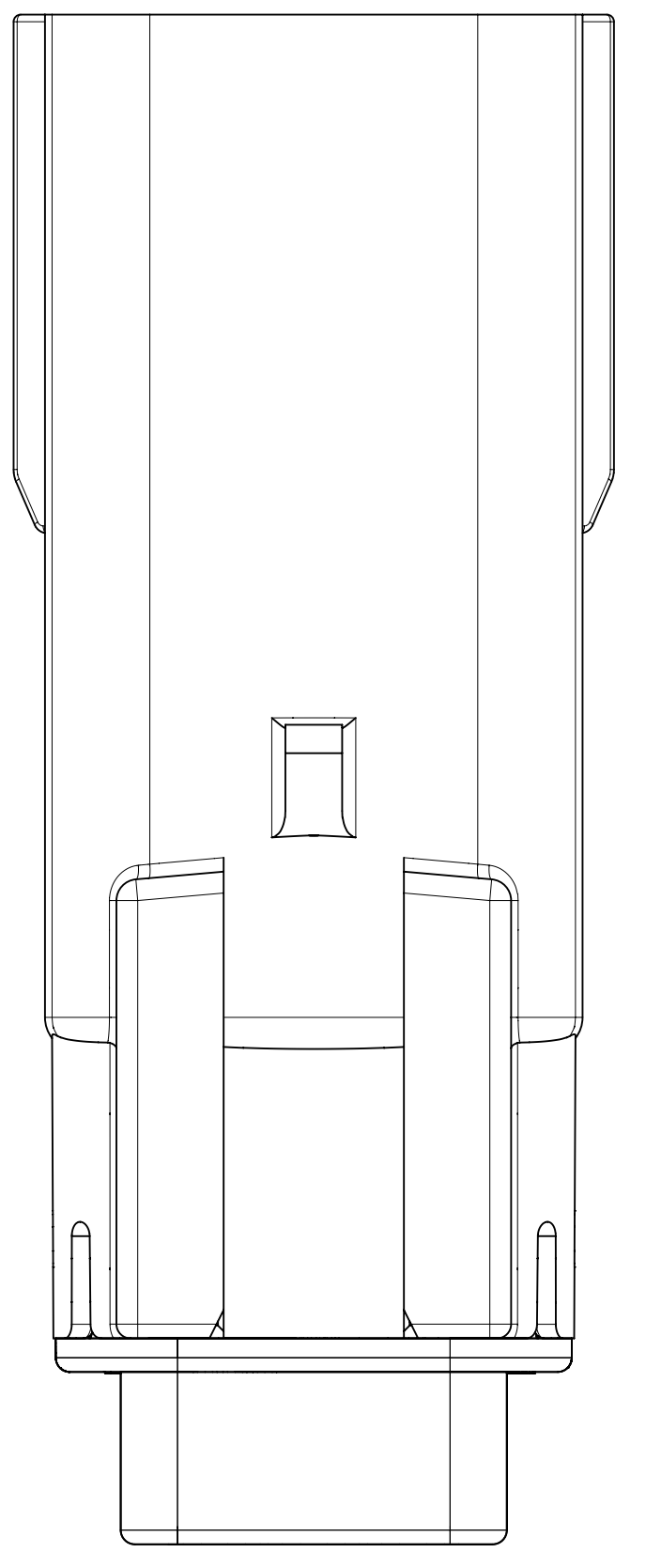
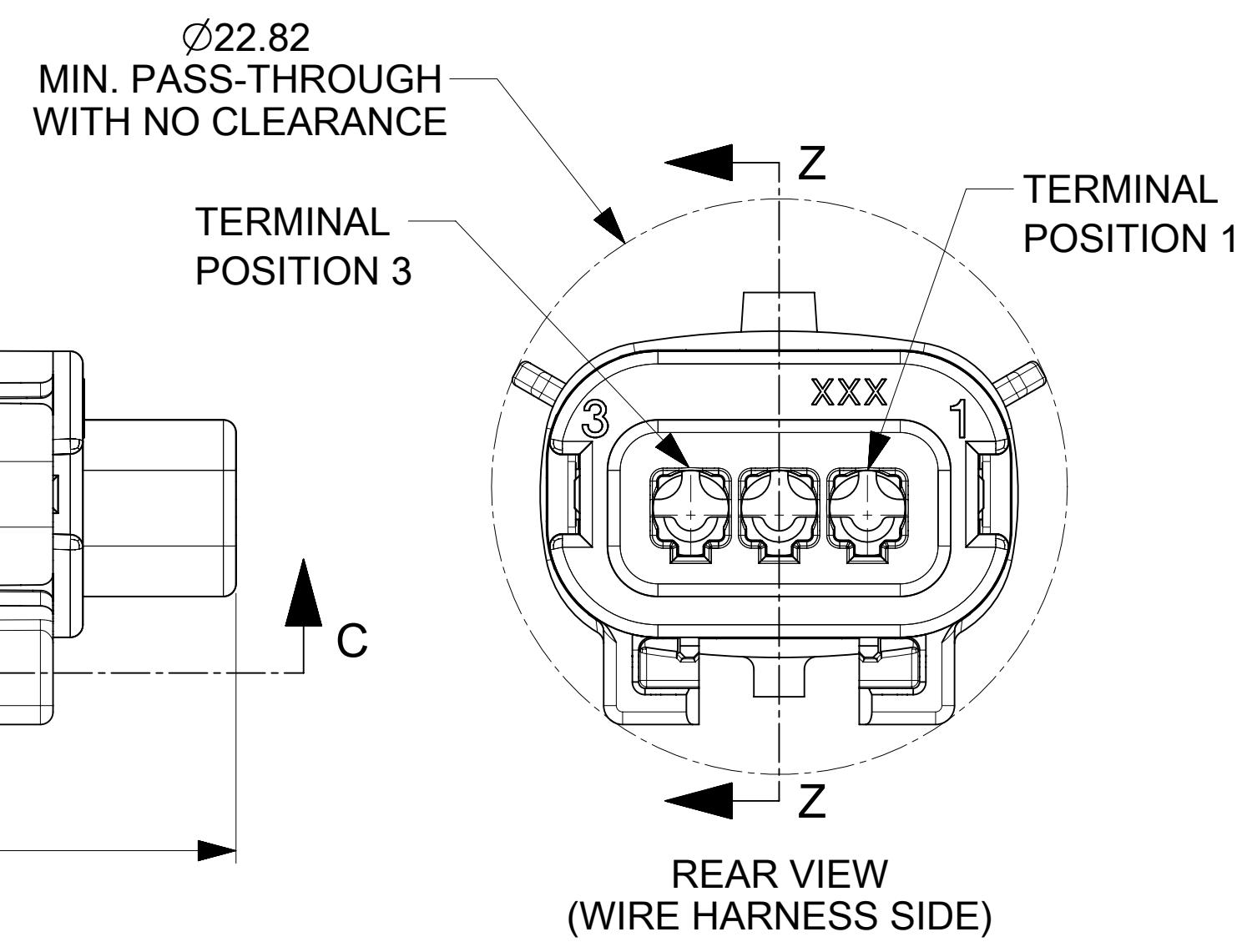
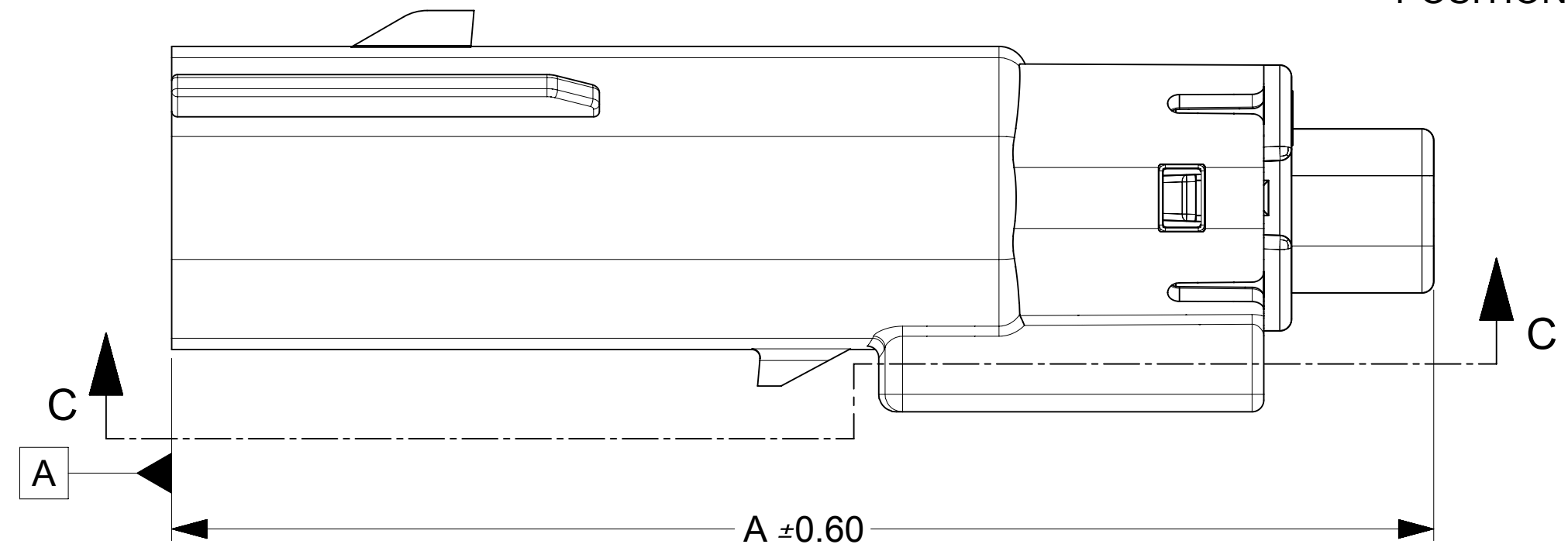
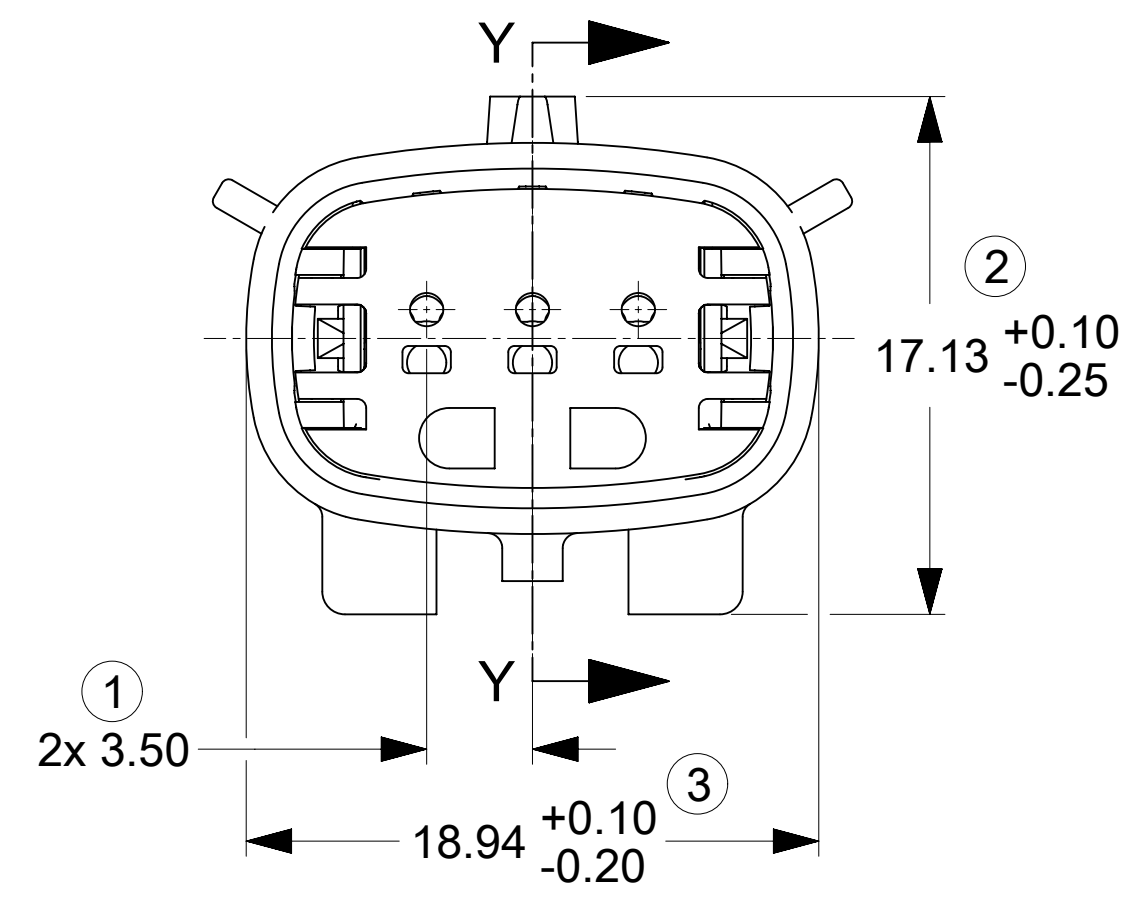
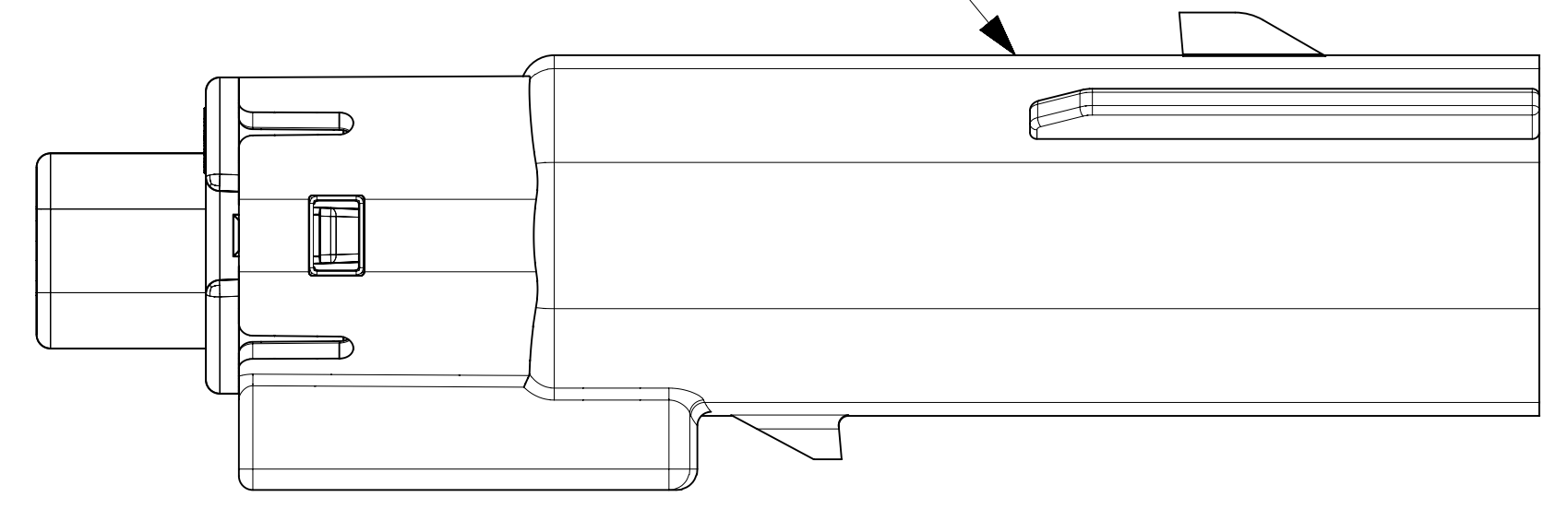


KEY D

THIS DRAWING CONTAINS INFORMATION THAT IS PROPRIETARY TO MOLEX ELECTRONIC TECHNOLOGIES, LLC AND SHOULD NOT BE USED WITHOUT WRITTEN PERMISSION

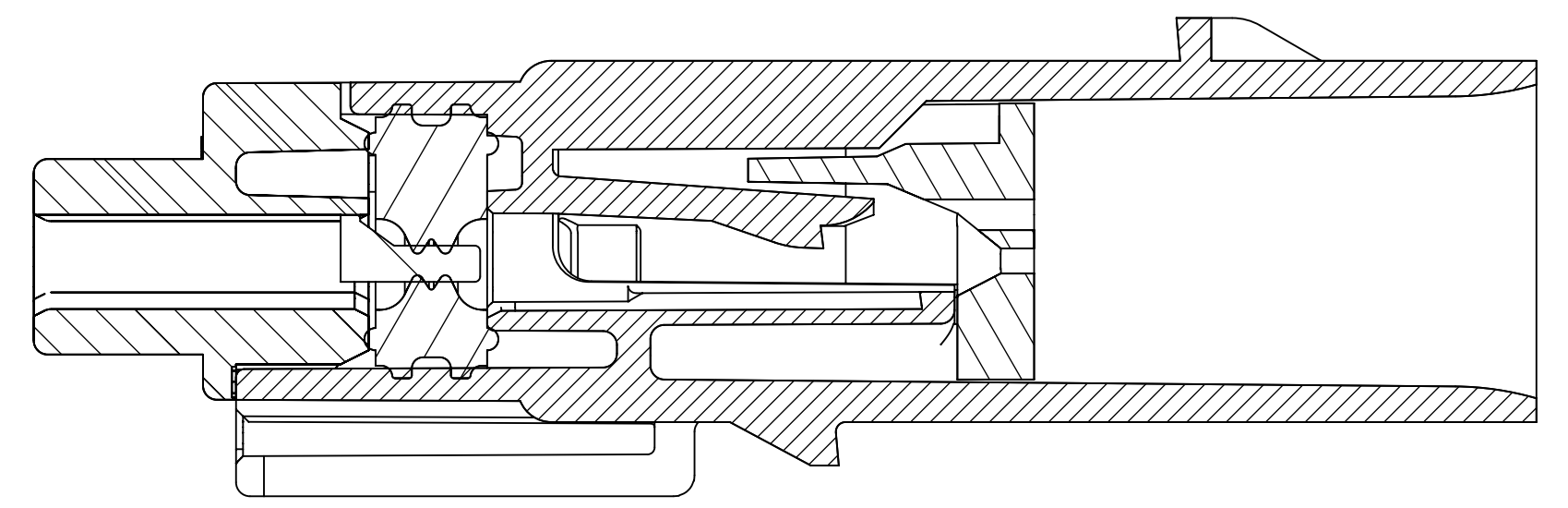
DIMENSION UNITS		SCALE		CURRENT REV DESC: SEE REVISION TABLE										
mm		4:1												
GENERAL TOLERANCES (UNLESS SPECIFIED)						EC NO: 645317 DRWN: MKP 2020/08/10 CHK'D: MJMITCHELL 2020/09/21 APPR: MJMITCHELL 2020/09/21 INITIAL REVISION: DRWN: DMARCOUX 06-12-02 APPR: FHOLUB 06-12-02				DOCUMENT NUMBER		DOC TYPE	DOC PART	REVISION
	MM		INCH	SD-33481-031						PSD	001	R5		
4 PLACES	±		±	PRODUCT CUSTOMER DRAWING										
3 PLACES	±		±											
2 PLACES	±	0.1	±											
1 PLACE	±	0.3	±											
0 PLACES	±		±											
ANGULAR TOL ± 3.0 °				THIRD ANGLE PROJECTION		DRAWING	SERIES	MATERIAL NUMBER	CUSTOMER	SHEET NUMBER				
DRAFT WHERE APPLICABLE MUST REMAIN WITHIN DIMENSIONS						D-SIZE	33481	SEE BOM	GENERAL MARKET	2 OF 7				

LASER MARKING THIS SURFACE
SEE NOTE 3g.



PRIMARY LOCK REINFORCEMENT (PLR) SHOWN
IN PRE-STAGED POSITION

SECTION Z-Z

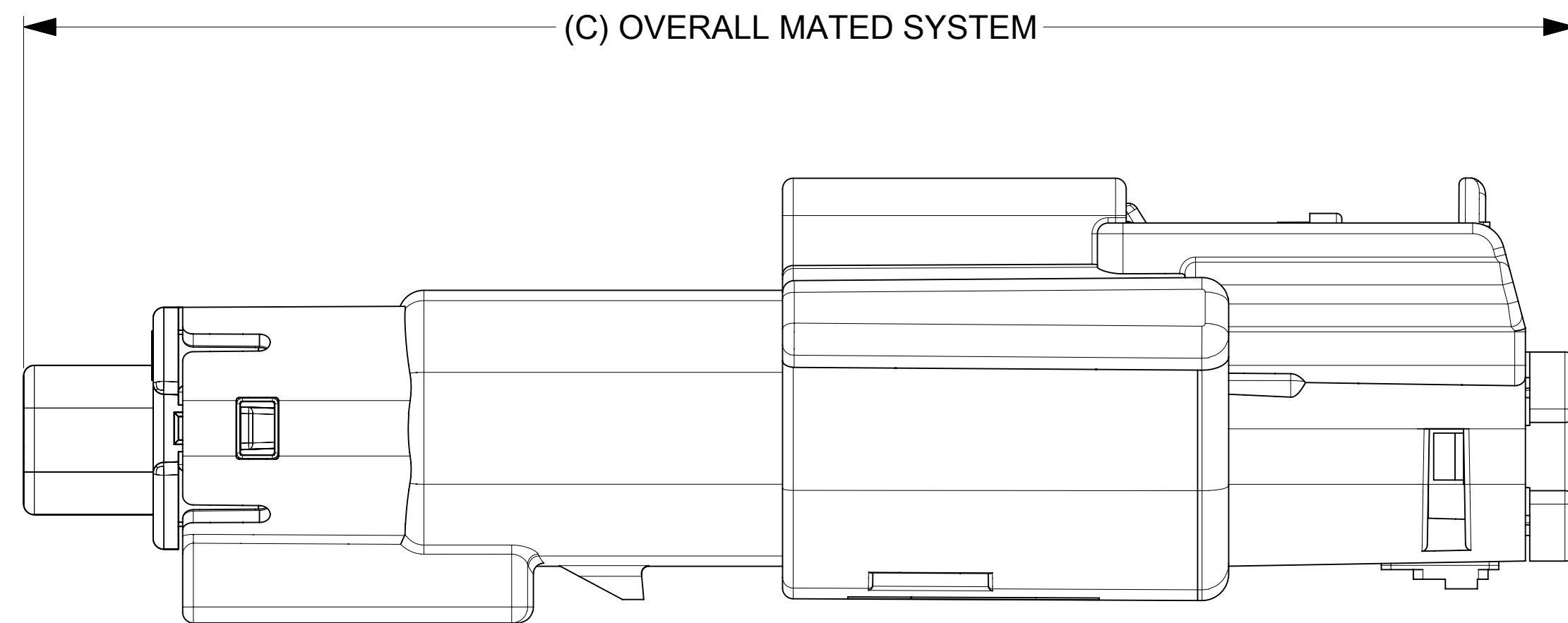


PRIMARY LOCK REINFORCEMENT (PLR) SHOWN
IN FINAL-LOCK POSITION

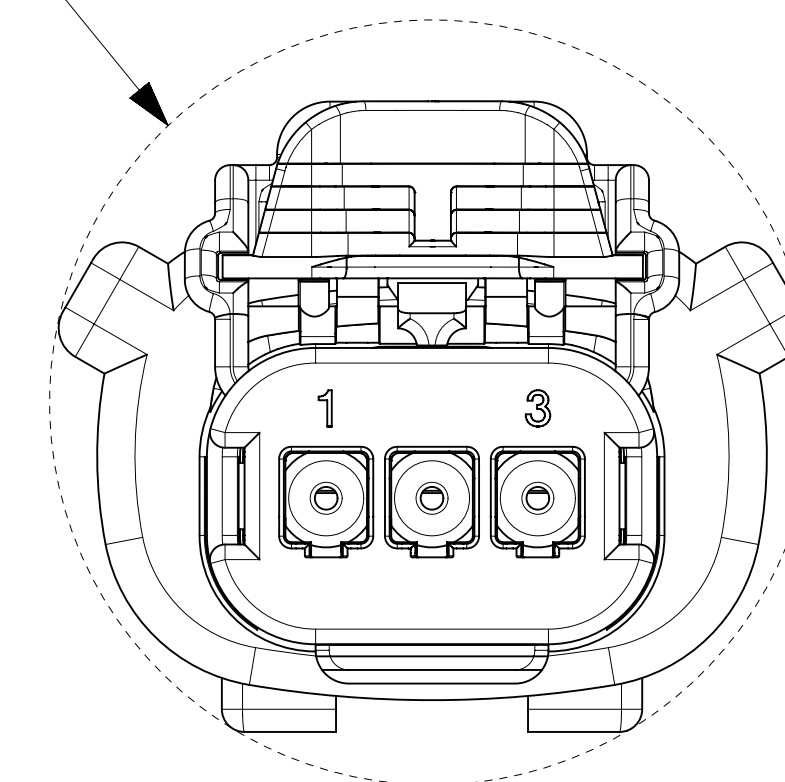
SECTION Y-Y

CHARTED DIMENSIONS	
CONFIGURATION	
MX150 1X3 BLADE SEALED ASSEMBLY - STANDARD	A 53.85
MX150 1X3 BLADE SEALED ASSEMBLY - RIBBER BOOT CONFIGURATION	57.85

THIS DRAWING CONTAINS INFORMATION THAT IS PROPRIETARY TO MOLEX ELECTRONIC TECHNOLOGIES, LLC AND SHOULD NOT BE USED WITHOUT WRITTEN PERMISSION			
DIMENSION UNITS	SCALE	CURRENT REV DESC: SEE REVISION TABLE	
mm	4:1		
GENERAL TOLERANCES (UNLESS SPECIFIED)			
	MM	INCH	
4 PLACES	±	±	
3 PLACES	±	±	
2 PLACES	± 0.1	±	
1 PLACE	± 0.3	±	
0 PLACES	±	±	
ANGULAR TOL	± 3.0°		
DRAFT WHERE APPLICABLE MUST REMAIN WITHIN DIMENSIONS		THIRD ANGLE PROJECTION	
		DRAWING	SERIES
		D-SIZE	33481
		MATERIAL NUMBER	CUSTOMER
		SEE BOM	GENERAL MARKET
		DOCUMENT NUMBER	DOC TYPE DOC PART REVISION
		SD-33481-031	PSD 001 R5
		EC NO: 645317	2020/08/10
		DRWN: MKP	2020/09/21
		CHK'D: MJMITCHELL	2020/09/21
		APPR: MJMITCHELL	
		INITIAL REVISION:	
		DRWN: DMARCOUX	06-12-02
		APPR: FHOLUB	06-12-02
		SHEET NUMBER	
			3 OF 7



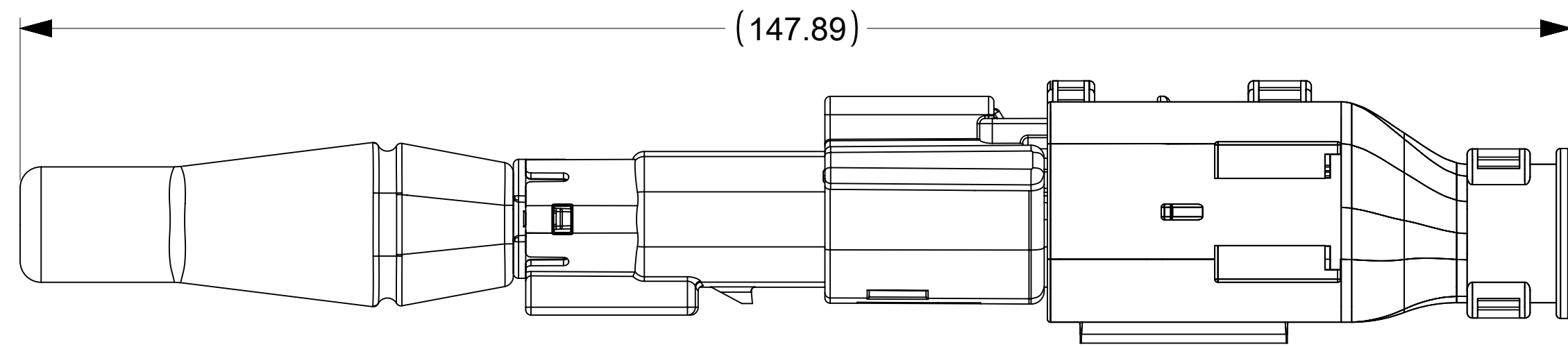
Ø25.30
MIN. PASS-THROUGH
WITH NO CLEARANCE



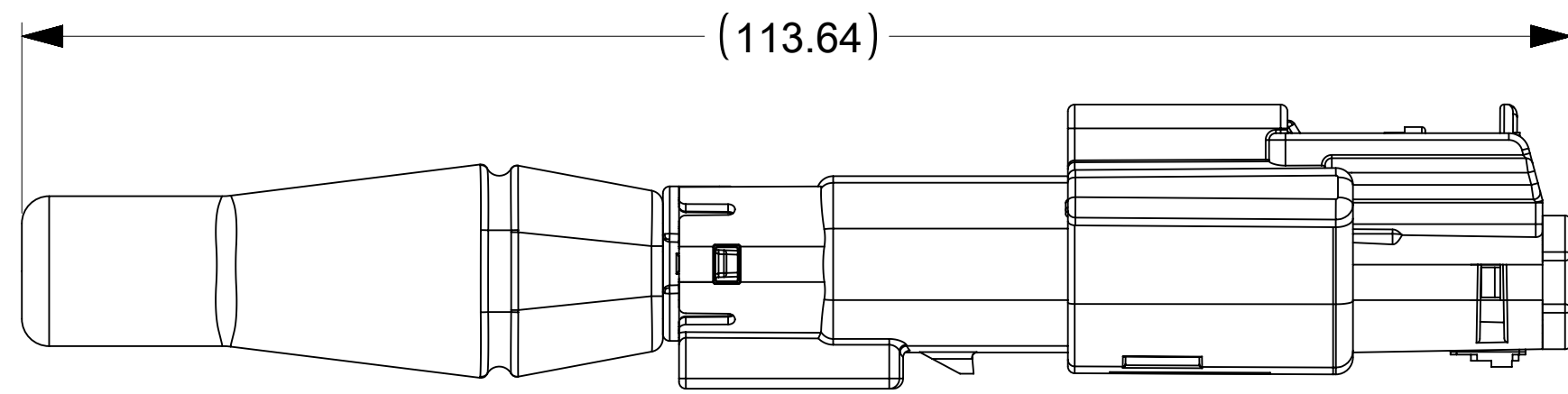
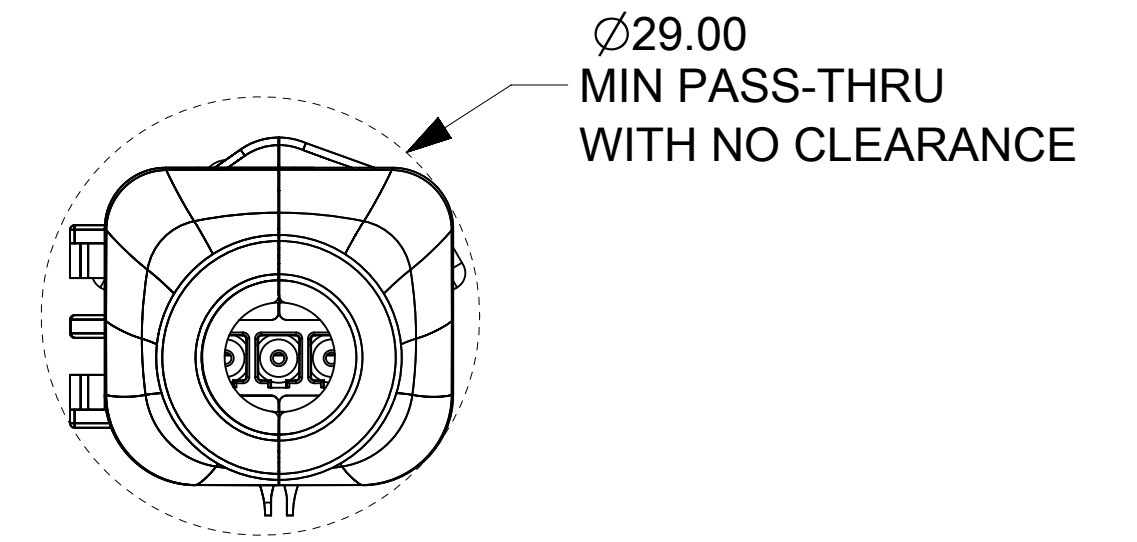
CHARTED DIMENSIONS	
CONFIGURATION	A
MX150 1X3 BLADE SEALED ASSEMBLY - STANDARD	53.85
MX150 1X3 BLADE SEALED ASSEMBLY - RIBBER BOOT CONFIGURATION	57.85

THIS DRAWING CONTAINS INFORMATION THAT IS PROPRIETARY TO MOLEX ELECTRONIC TECHNOLOGIES, LLC AND SHOULD NOT BE USED WITHOUT WRITTEN PERMISSION

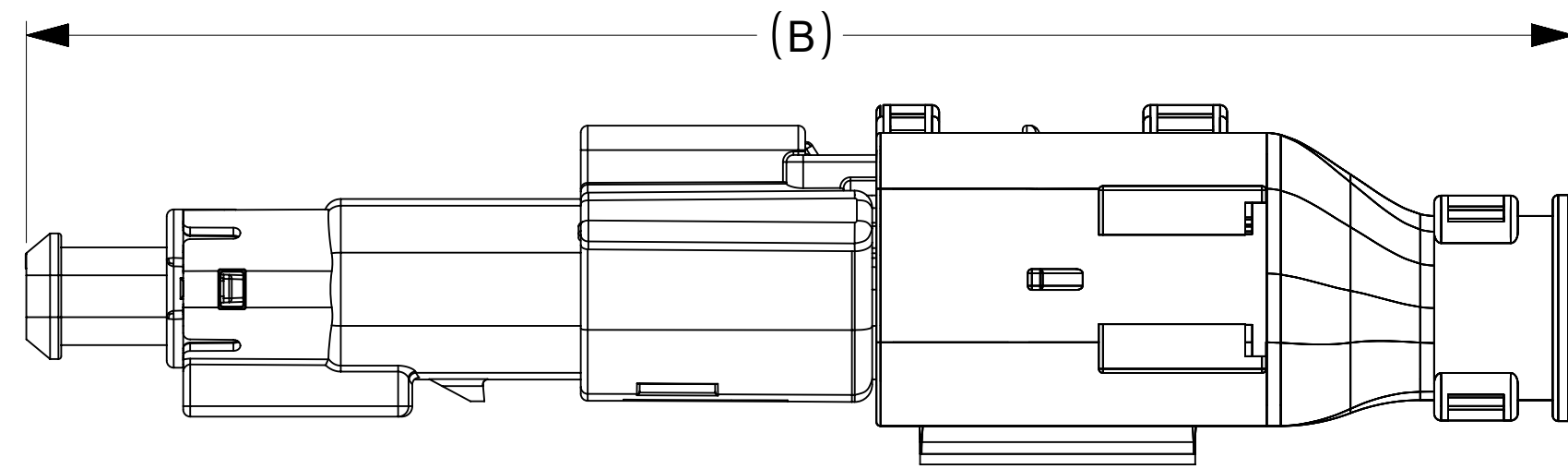
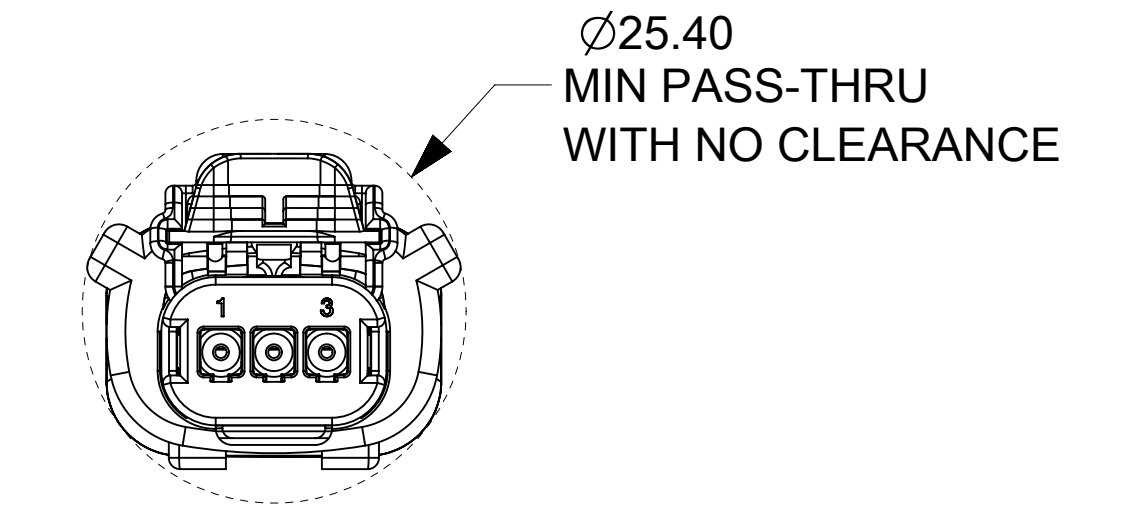
DIMENSION UNITS mm	SCALE 4:1	CURRENT REV DESC: SEE REVISION TABLE					
GENERAL TOLERANCES (UNLESS SPECIFIED)		EC NO: 645317					
	MM	INCH	DRWN: MKP	2020/08/10	PRODUCT CUSTOMER DRAWING		
4 PLACES	±	±	CHK'D: MJMITCHELL	2020/09/21	DOCUMENT NUMBER		
3 PLACES	±	±	APPR: MJMITCHELL	2020/09/21	SD-33481-031	DOC TYPE	
2 PLACES	±	0.1	INITIAL REVISION:		001	DOC PART	
1 PLACE	±	0.3	DRWN: DMARCOUX	06-12-02	R5	REVISION	
0 PLACES	±	±	APPR: FHOLUB	06-12-02	SEE BOM	CUSTOMER	
ANGULAR TOL	±	3.0 °	THIRD ANGLE PROJECTION		GENERAL MARKET	SHEET NUMBER	
DRAFT WHERE APPLICABLE MUST REMAIN WITHIN DIMENSIONS		DRAWING		SERIES	4 OF 7		
		D-SIZE		33481			



OVERALL MATED SYSTEM WITH BLADE RUBBER BOOT AND RECEPTACLE BACKSHELL

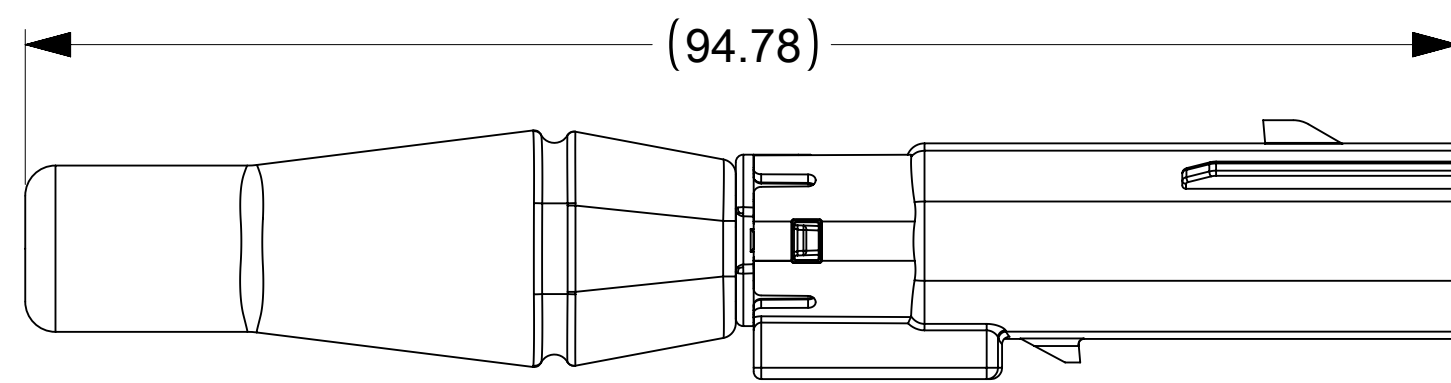
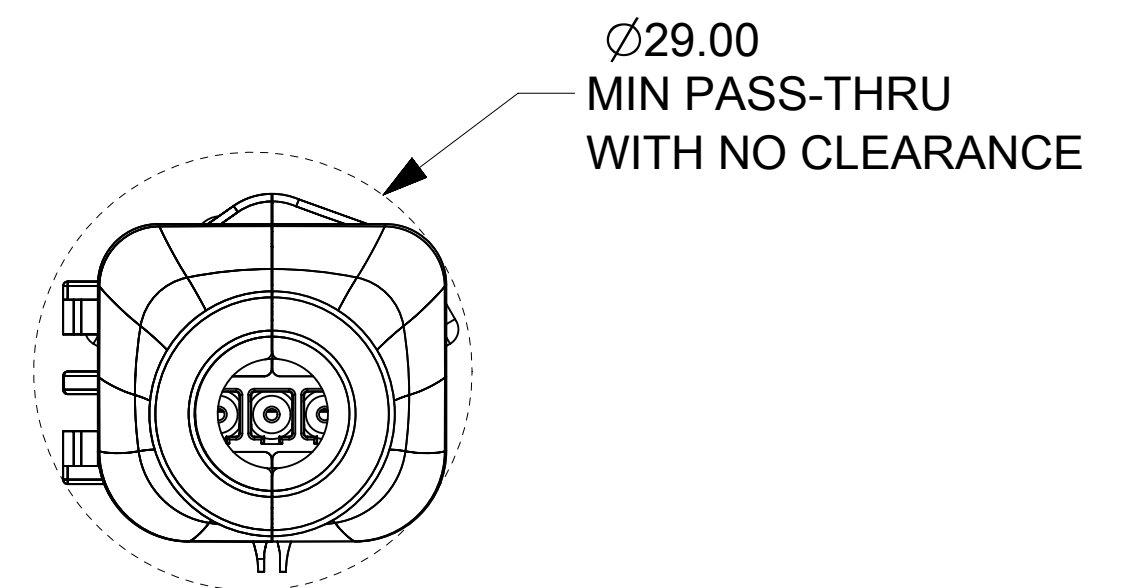


OVERALL MATED SYSTEM WITH BLADE RUBBER BOOT

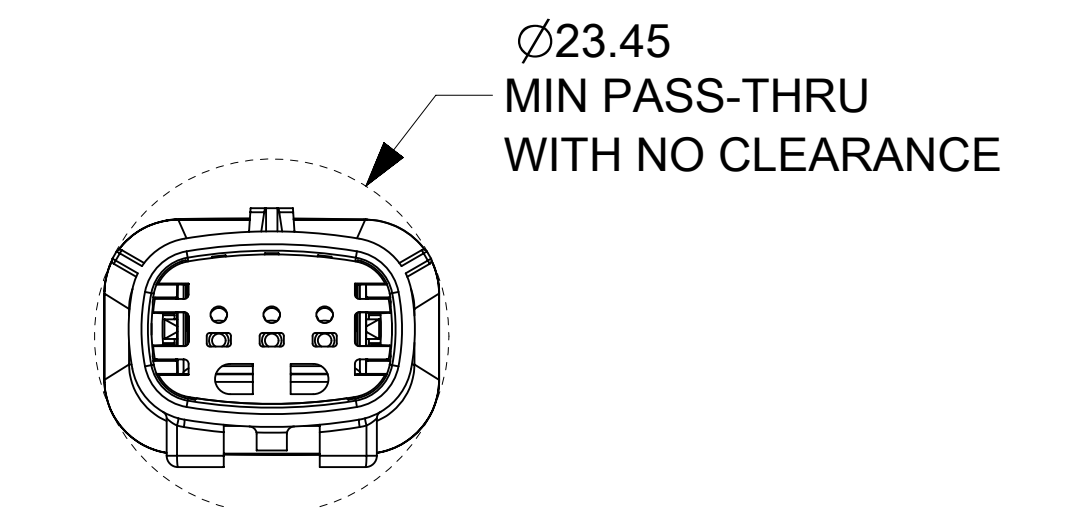


OVERALL MATED SYSTEM WITH RECEPTACLE BACKSHELL

CHARTED DIMENSIONS CONFIGURATION		B
MX150 1X3 BLADE SEALED ASSEMBLY - STANDARD		106.96
MX150 1X3 BLADE SEALED ASSEMBLY - RIBBER BOOT CONFIGURATION		110.96



BLADE SEALED ASSEMBLY WITH BLADE RUBBER BOOT



THIS DRAWING CONTAINS INFORMATION THAT IS PROPRIETARY TO MOLEX ELECTRONIC TECHNOLOGIES, LLC AND SHOULD NOT BE USED WITHOUT WRITTEN PERMISSION

DIMENSION UNITS mm	SCALE 2:1	CURRENT REV DESC: SEE REVISION TABLE		molex			
GENERAL TOLERANCES (UNLESS SPECIFIED)		EC NO: 645317					
		MM	INCH	DRWN: MKP	2020/08/10	PRODUCT CUSTOMER DRAWING	
4 PLACES	±	±		CHK'D: MJMITCHELL	2020/09/21	DOCUMENT NUMBER	
3 PLACES	±	±		APPR: MJMITCHELL	2020/09/21	DOC TYPE	
2 PLACES	±	0.1	±	INITIAL REVISION:		DOC PART	
1 PLACE	±	0.3	±	DRWN: DMARCOUX	06-12-02	REVISION	
0 PLACES	±	±	±	APPR: FHOLUB	06-12-02	SD-33481-031	
ANGULAR TOL		± 3.0 °		DRAWING		PSD	
DRAFT WHERE APPLICABLE MUST REMAIN WITHIN DIMENSIONS		THIRD ANGLE PROJECTION		SERIES		001	
		D-SIZE		33481		R5	
		DRAWING		MATERIAL NUMBER		CUSTOMER	
		D-SIZE		SEE BOM		GENERAL MARKET	
		SERIES		33481		SHEET NUMBER	
		SERIES		33481		5 OF 7	

R5

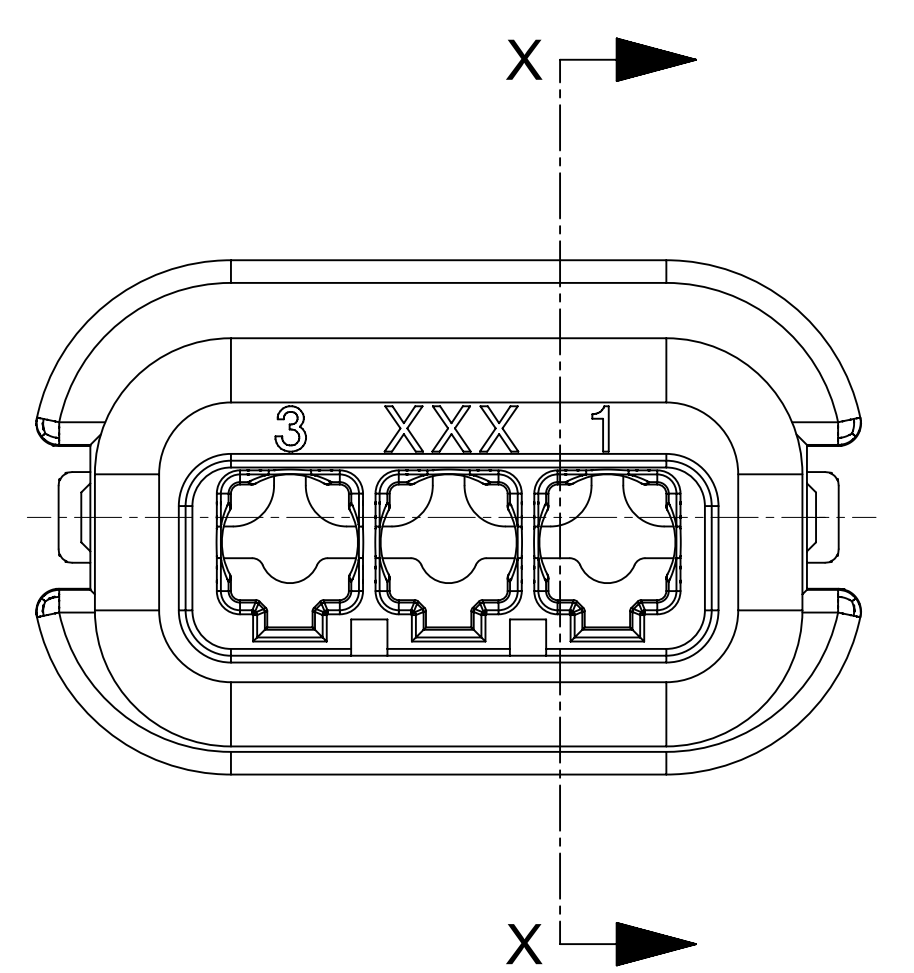
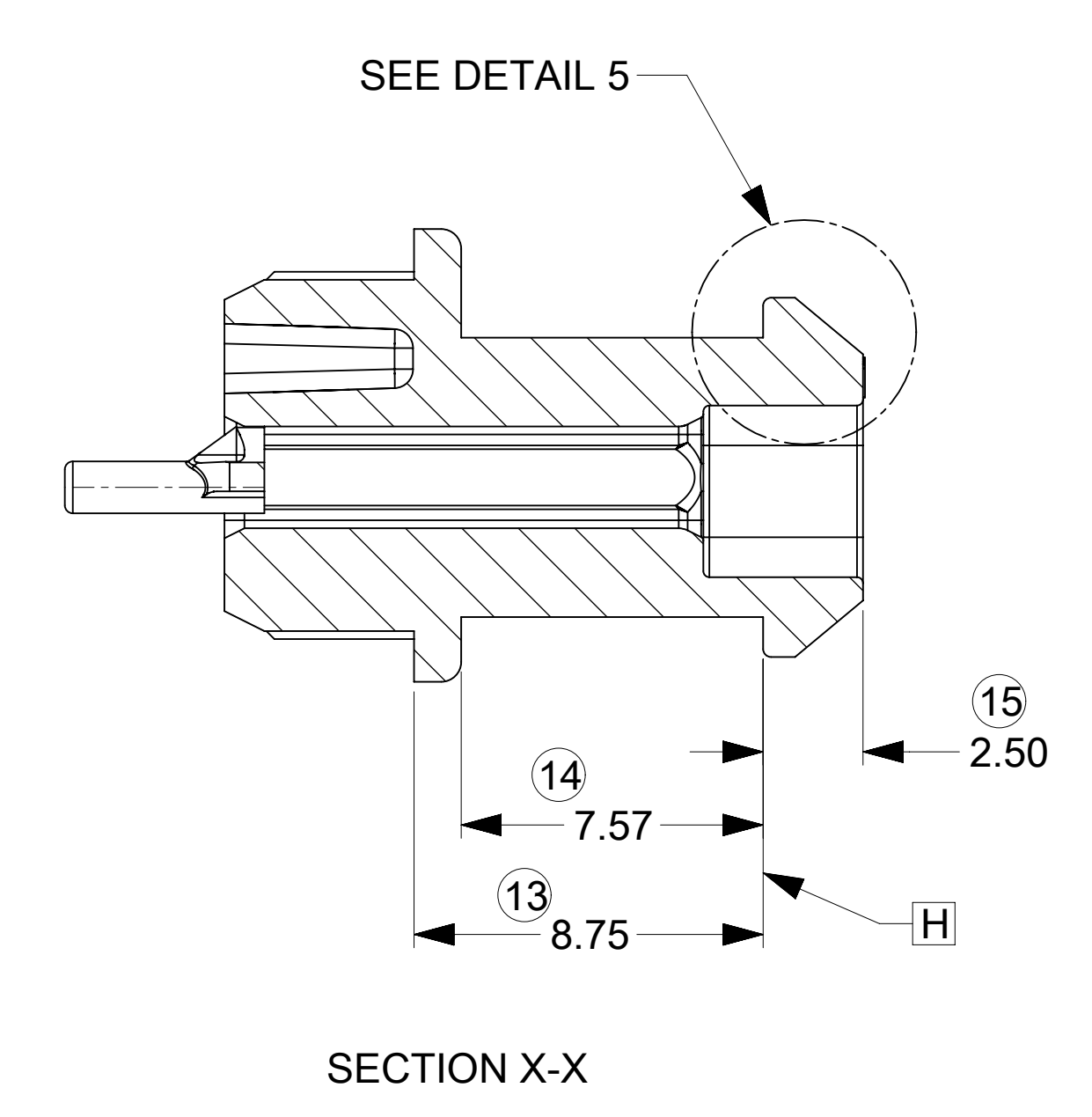
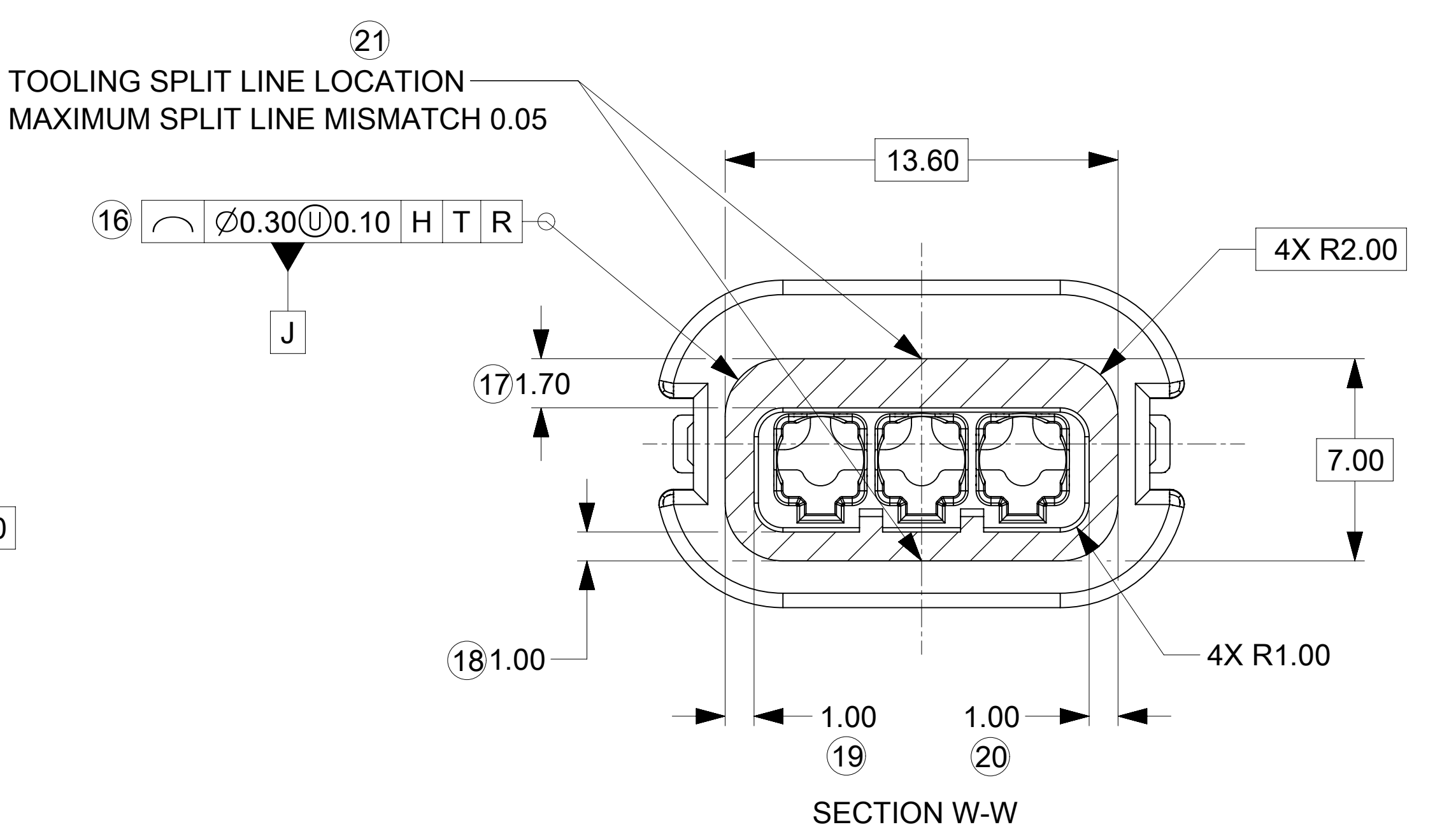
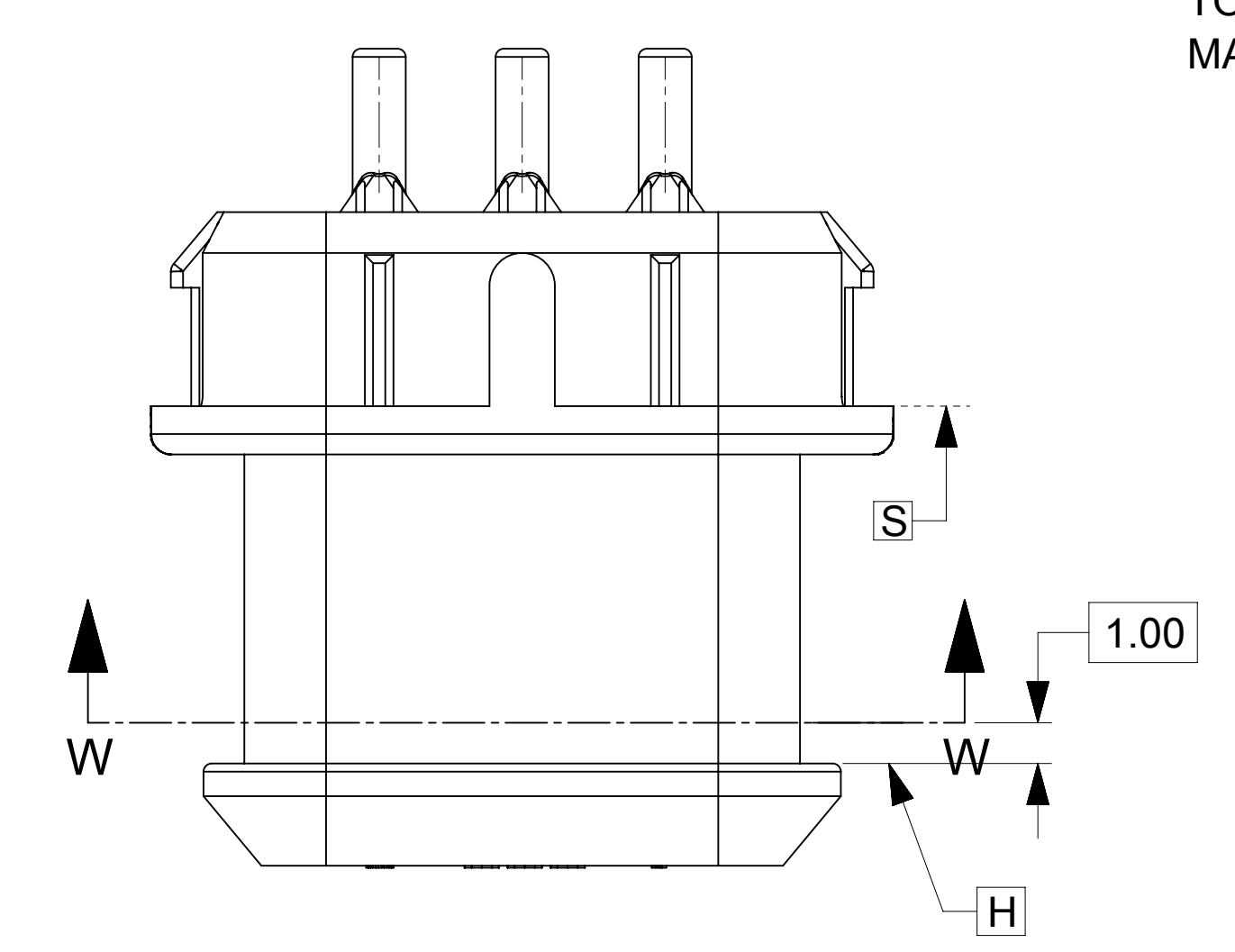
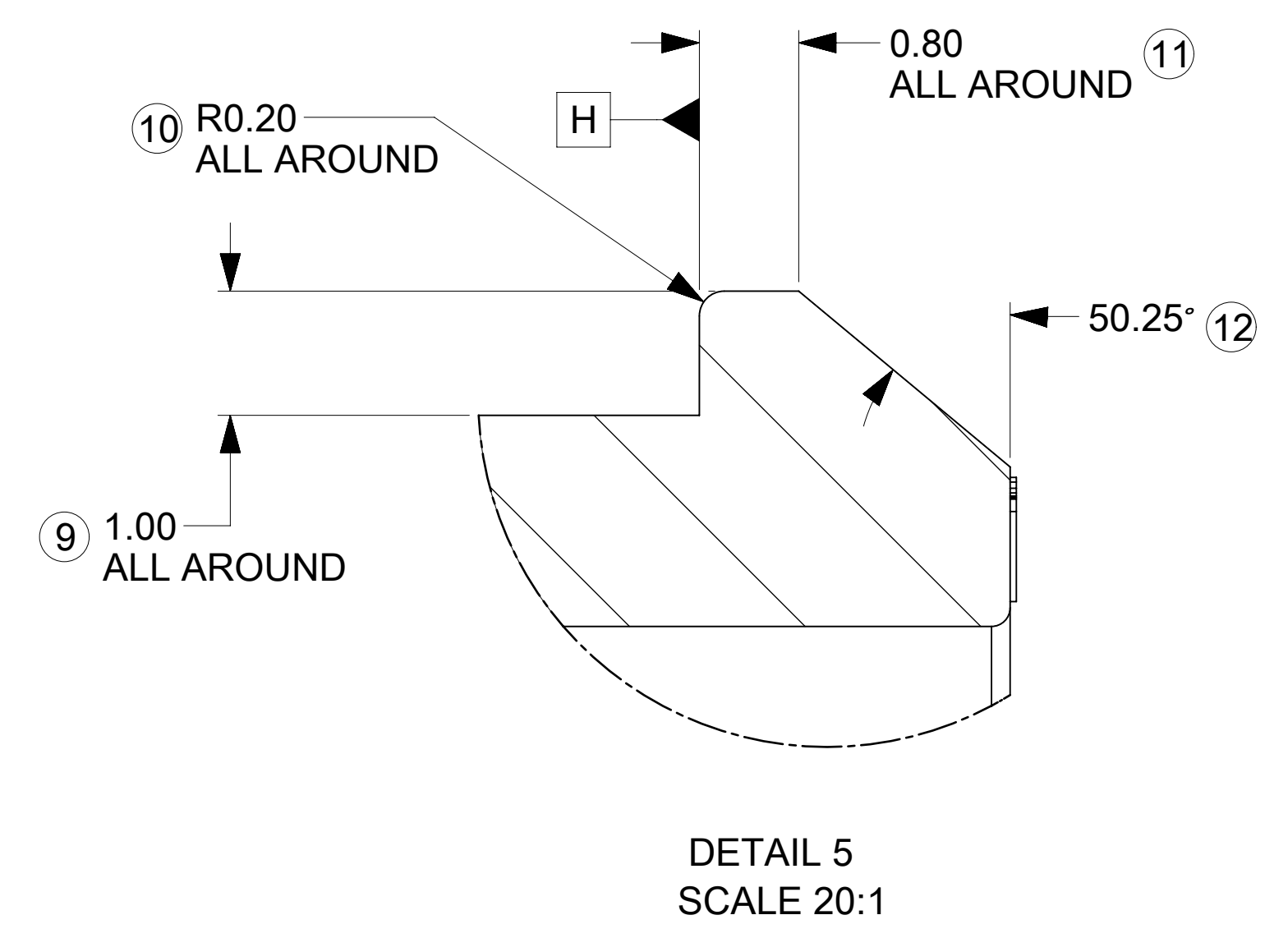
ASSEMBLY PART NUMBER	COLOR	KEYING OPTION	CAVITY TYPE & STATUS (X = PLUGGED)			STATUS	COMMENTS	OPTIONAL ATTACHMENT SOLD SEPARATELY SMP RUBBER BOOT
			1	2	3			
			33481-0301	BLACK	A			
33481-0302	LT.GRAY	B				NOT RECOMMENDED		NOT AVAILABLE
33481-0303	BROWN	C				NOT RECOMMENDED	NOT RECOMMENDED, SEE P/N 33481-0322	NOT AVAILABLE
33481-0304	GREEN	D				NOT RECOMMENDED	NOT RECOMMENDED, SEE P/N 33481-0323	NOT AVAILABLE
33481-0305	CUSTOM	TBD				PLANNED OBSOLESCENCE		NOT AVAILABLE
33481-0306	BLACK	A			X	PLANNED OBSOLESCENCE		NOT AVAILABLE
33481-0307	LT.GRAY	B			X	PLANNED OBSOLESCENCE		NOT AVAILABLE
33481-0308	BROWN	C			X	PLANNED OBSOLESCENCE		NOT AVAILABLE
33481-0309	GREEN	D			X	PLANNED OBSOLESCENCE		NOT AVAILABLE
33481-0310	CUSTOM	TBD			X	PLANNED OBSOLESCENCE		NOT AVAILABLE
33481-0311	BLACK	A	X		X	PLANNED OBSOLESCENCE		NOT AVAILABLE
33481-0312	LT.GRAY	B	X		X	PLANNED OBSOLESCENCE		NOT AVAILABLE
33481-0313	BROWN	C	X		X	PLANNED OBSOLESCENCE		NOT AVAILABLE
33481-0314	GREEN	D	X		X	PLANNED OBSOLESCENCE		NOT AVAILABLE
33481-0315	CUSTOM	TBD	X		X	PLANNED OBSOLESCENCE		NOT AVAILABLE
33481-0316	BLACK	A	X	X	X	NOT RECOMMENDED		NOT AVAILABLE
33481-0317	LT.GRAY	B	X	X	X	PLANNED OBSOLESCENCE		NOT AVAILABLE
33481-0318	BROWN	C	X	X	X	NOT RECOMMENDED	NOT RECOMMENDED, SEE P/N 33481-0324	NOT AVAILABLE
33481-0319	GREEN	D	X	X	X	NOT RECOMMENDED	NOT RECOMMENDED, SEE P/N 33481-0325	NOT AVAILABLE
33481-0320	CUSTOM	TBD	X	X	X	PLANNED OBSOLESCENCE		NOT AVAILABLE
33481-0321	BLACK	A		X		NOT RECOMMENDED		NOT AVAILABLE
33481-0322	DK.GRAY	C				PLANNED OBSOLESCENCE		NOT AVAILABLE
33481-0323	ST.GRAY	D				PLANNED OBSOLESCENCE		NOT AVAILABLE
33481-0324	DK.GRAY	C	X	X	X	PLANNED OBSOLESCENCE		NOT AVAILABLE
33481-0325	ST.GRAY	D	X	X	X	PLANNED OBSOLESCENCE		NOT AVAILABLE
33481-0330	YELLOW	A				PLANNED OBSOLESCENCE		NOT AVAILABLE
33481-0340	BLACK	A				NOT RECOMMENDED	RUBBER BOOT CONFIGURATION	P/N TBD
33481-0341	BLACK	A	X	X	X	PLANNED OBSOLESCENCE	RUBBER BOOT CONFIGURATION	P/N TBD

R5

ASSEMBLY PART NUMBER	COLOR	KEYING OPTION	CAVITY TYPE & STATUS (X = PLUGGED)			STATUS	COMMENTS	OPTIONAL ATTACHMENT SOLD SEPARATELY SMP RUBBER BOOT
			1	2	3			
			33481-3301	BLACK	A			
33481-3302	LT.GRAY	B				SALEABLE		AVAILABLE
33481-3303	BROWN	C				NOT RECOMMENDED	NOT RECOMMENDED, SEE P/N 33481-0322	NOT AVAILABLE
33481-3304	GREEN	D				NOT RECOMMENDED	NOT RECOMMENDED, SEE P/N 33481-0323	NOT AVAILABLE
33481-3305	CUSTOM	TBD				SALEABLE		AVAILABLE
33481-3306	BLACK	A			X	SALEABLE		AVAILABLE
33481-3307	LT.GRAY	B			X	SALEABLE		AVAILABLE
33481-3308	BROWN	C			X	SALEABLE		AVAILABLE
33481-3309	GREEN	D			X	SALEABLE		AVAILABLE
33481-3310	CUSTOM	TBD			X	SALEABLE		AVAILABLE
33481-3311	BLACK	A	X		X	SALEABLE		AVAILABLE
33481-3312	LT.GRAY	B	X		X	SALEABLE		AVAILABLE
33481-3313	BROWN	C	X		X	SALEABLE		AVAILABLE
33481-3314	GREEN	D	X		X	SALEABLE		AVAILABLE
33481-3315	CUSTOM	TBD	X		X	SALEABLE		AVAILABLE
33481-3316	BLACK	A	X	X	X	SALEABLE		AVAILABLE
33481-3317	LT.GRAY	B	X	X	X	SALEABLE		AVAILABLE
33481-3318	BROWN	C	X	X	X	NOT RECOMMENDED	NOT RECOMMENDED, SEE P/N 33481-0324	NOT AVAILABLE
33481-3319	GREEN	D	X	X	X	NOT RECOMMENDED	NOT RECOMMENDED, SEE P/N 33481-0325	NOT AVAILABLE
33481-3320	CUSTOM	TBD	X	X	X	SALEABLE		AVAILABLE
33481-3321	BLACK	A		X		SALEABLE		AVAILABLE
33481-3322	DK.GRAY	C				SALEABLE		AVAILABLE
33481-3323	ST.GRAY	D				SALEABLE		AVAILABLE
33481-3324	DK.GRAY	C	X	X	X	SALEABLE		AVAILABLE
33481-3325	ST.GRAY	D	X	X	X	SALEABLE		AVAILABLE
33481-3330	YELLOW	A				SALEABLE		AVAILABLE
33481-3340	BLACK	A				SALEABLE	RUBBER BOOT CONFIGURATION	P/N TBD
33481-3341	BLACK	A	X	X	X	SALEABLE	RUBBER BOOT CONFIGURATION	P/N TBD

THIS DRAWING CONTAINS INFORMATION THAT IS PROPRIETARY TO MOLEX ELECTRONIC TECHNOLOGIES, LLC AND SHOULD NOT BE USED WITHOUT WRITTEN PERMISSION

DIMENSION UNITS mm	SCALE 1:1	CURRENT REV DESC: SEE REVISION TABLE	
GENERAL TOLERANCES (UNLESS SPECIFIED)		EC NO: 645317	
	MM	INCH	DRWN: MKP 2020/08/10
4 PLACES	±	±	CHK'D: MJMITCHELL 2020/09/21
3 PLACES	±	±	APPR: MJMITCHELL 2020/09/21
2 PLACES	± 0.1	±	INITIAL REVISION:
1 PLACE	± 0.3	±	DRWN: DMARCOUX 06-12-02
0 PLACES	±	±	APPR: FHOLUB 06-12-02
ANGULAR TOL	± 3.0 °		
DRAFT WHERE APPLICABLE MUST REMAIN WITHIN DIMENSIONS	THIRD ANGLE PROJECTION	DRAWING	SERIES
		D-SIZE	33481
DOCUMENT NUMBER		DOC TYPE	DOC PART
SD-33481-031		PSD	001
REVISION		R5	
MATERIAL NUMBER	CUSTOMER	SHEET NUMBER	
SEE BOM	GENERAL MARKET	6 OF 7	



THIS DRAWING CONTAINS INFORMATION THAT IS PROPRIETARY TO MOLEX ELECTRONIC TECHNOLOGIES, LLC AND SHOULD NOT BE USED WITHOUT WRITTEN PERMISSION									
DIMENSION UNITS		SCALE		CURRENT REV DESC: SEE REVISION TABLE					
mm		2:1		<p>molex</p> <p>MX150 1X3 BLADE SEALED ASSEMBLY MAT SEAL</p> <p>PRODUCT CUSTOMER DRAWING</p> <p>DOCUMENT NUMBER: SD-33481-031 DOC TYPE: PSD DOC PART: 001 REVISION: R5</p>					
GENERAL TOLERANCES (UNLESS SPECIFIED)									
	MM	INCH							
4 PLACES	±		±						
3 PLACES	±		±						
2 PLACES	±	0.1	±						
1 PLACE	±	0.3	±	EC NO: 645317		2020/08/10			
0 PLACES	±		±	DRWN: MKP		2020/09/21			
ANGULAR TOL ± 3.0°				CHK'D: MJMITCHELL		2020/09/21			
DRAFT WHERE APPLICABLE MUST REMAIN WITHIN DIMENSIONS				APPR: MJMITCHELL		2020/09/21			
THIRD ANGLE PROJECTION		DRAWING		SERIES		MATERIAL NUMBER		CUSTOMER	
		D-SIZE		33481		SEE BOM		GENERAL MARKET	
								SHEET NUMBER	
								7 OF 7	