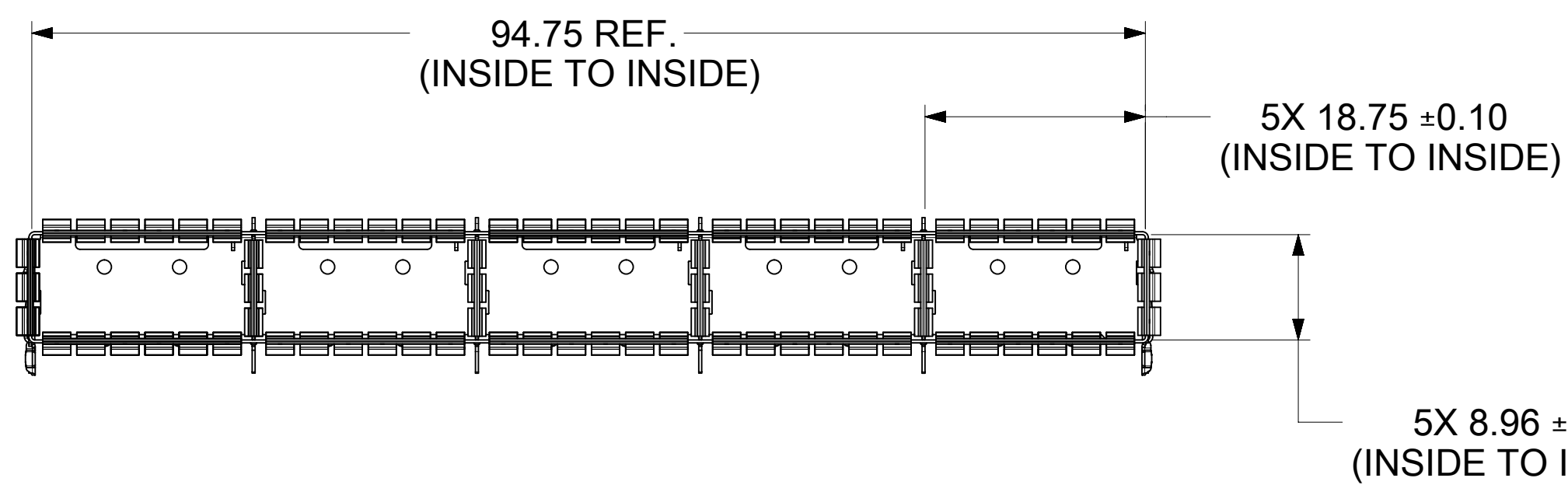
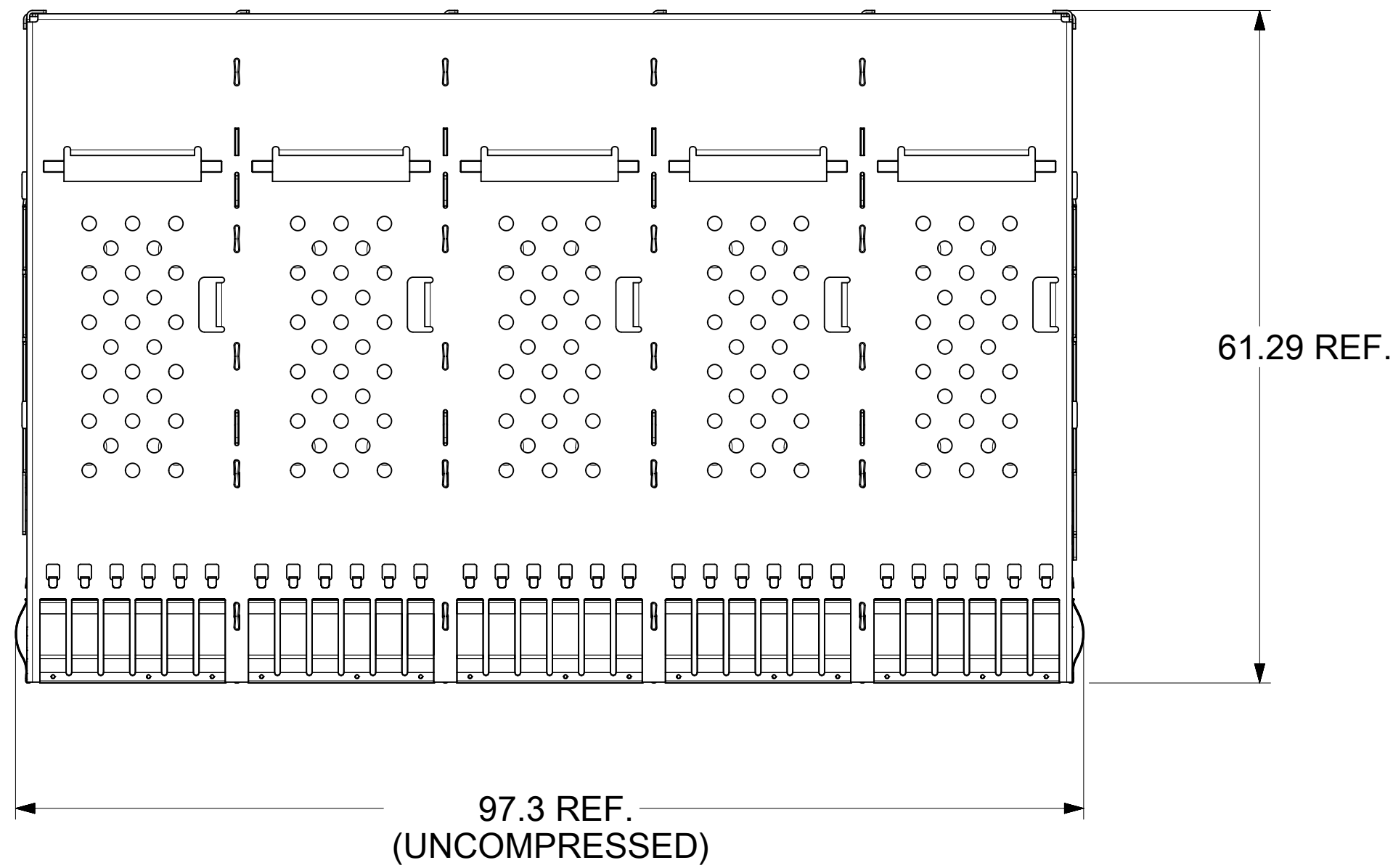


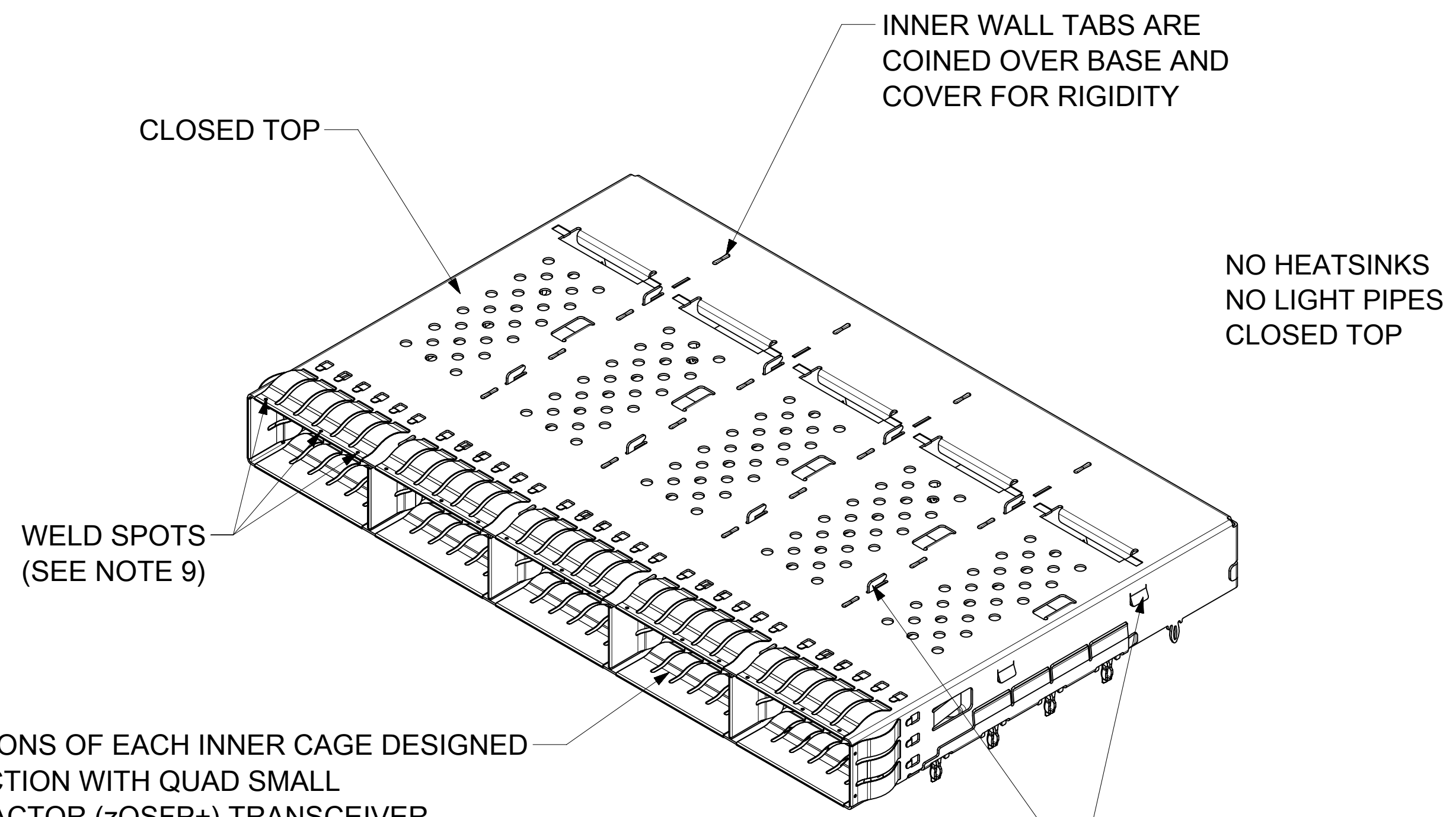
BASIC CAGE DETAILS

1000193240

SHOWN

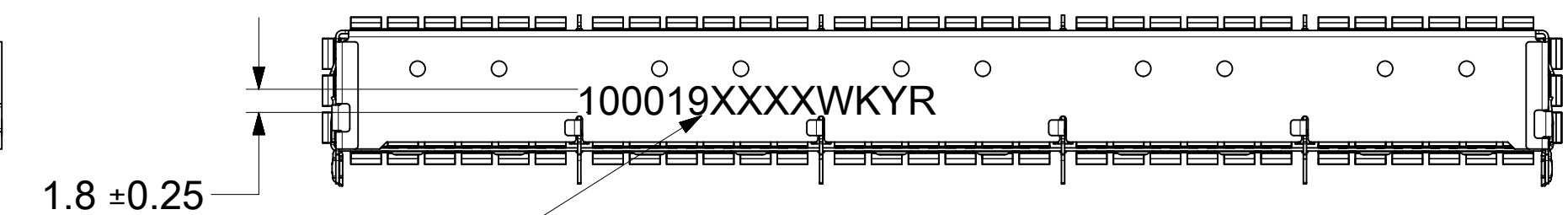


DIMENSIONS OF EACH INNER CAGE DESIGNED TO FUNCTION WITH QUAD SMALL FORM-FACTOR (zQSFP+) TRANSCEIVER



MOLEX P/N W/ SPRING FINGERS	#OF REAR LEGS PER PORT
1000193240	0

- NOTES:
- MATERIAL: CAGE: STAINLESS STEEL  
CENTER WALLS: STAINLESS STEEL  
SPRING FINGERS: STAINLESS STEEL  
HEAT SINKS: NICKEL PLATED ALUMINUM  
HEAT SINK CLIP: STAINLESS STEEL  
LIGHT PIPES: POLYCARBONATE (UL 94-V-0)
  - DIMENSIONS MARKED  $\nabla$  ARE CRITICAL TO FUNCTION OF THE PART AND MUST BE INSPECTED
  - DRAWING APPLIES TO ALL P/N'S SHOWN ON PAGE 3
  - DURING INCOMING INSPECTION, CAGE LEG LOCATIONS AND STRAIGHTNESS MUST BE CHECKED USING APPROPRIATE GO - NO GO GAGE
  - DURING INCOMING INSPECTION, CAGE MUST BE INSPECTED TO MAKE SURE LEG CONFIGURATIONS AND PART NUMBERS ARE CORRECT, USE SHEETS 3, 4 AND 5
  - PARTS TO BE INSPECTED PER MOLEX COSMETIC SPEC WI-HP-7-2774 (CLASS B UNLESS OTHERWISE SPECIFIED)
  - PRESS-FIT LEGS 2.44 LONG -  
1.57 MINIMUM PCB THICKNESS FOR SINGLE SIDED USE.  
3.00 MINIMUM PCB THICKNESS FOR BELLY TO BELLY USE.
  - NO RoHS EXEMPTIONS.
  - WELD SPOTS MAY SHOW SLIGHT MATERIAL DISCOLORATION.



P/N AND WEEK/YEAR DATE CODE TO BE PRINTED ON BACK OF COMPLETED CAGE ASSEMBLY APPROXIMATELY AS SHOWN.  
NOTES:  
SEE TABLE BELOW FOR DATE CODE INFORMATION

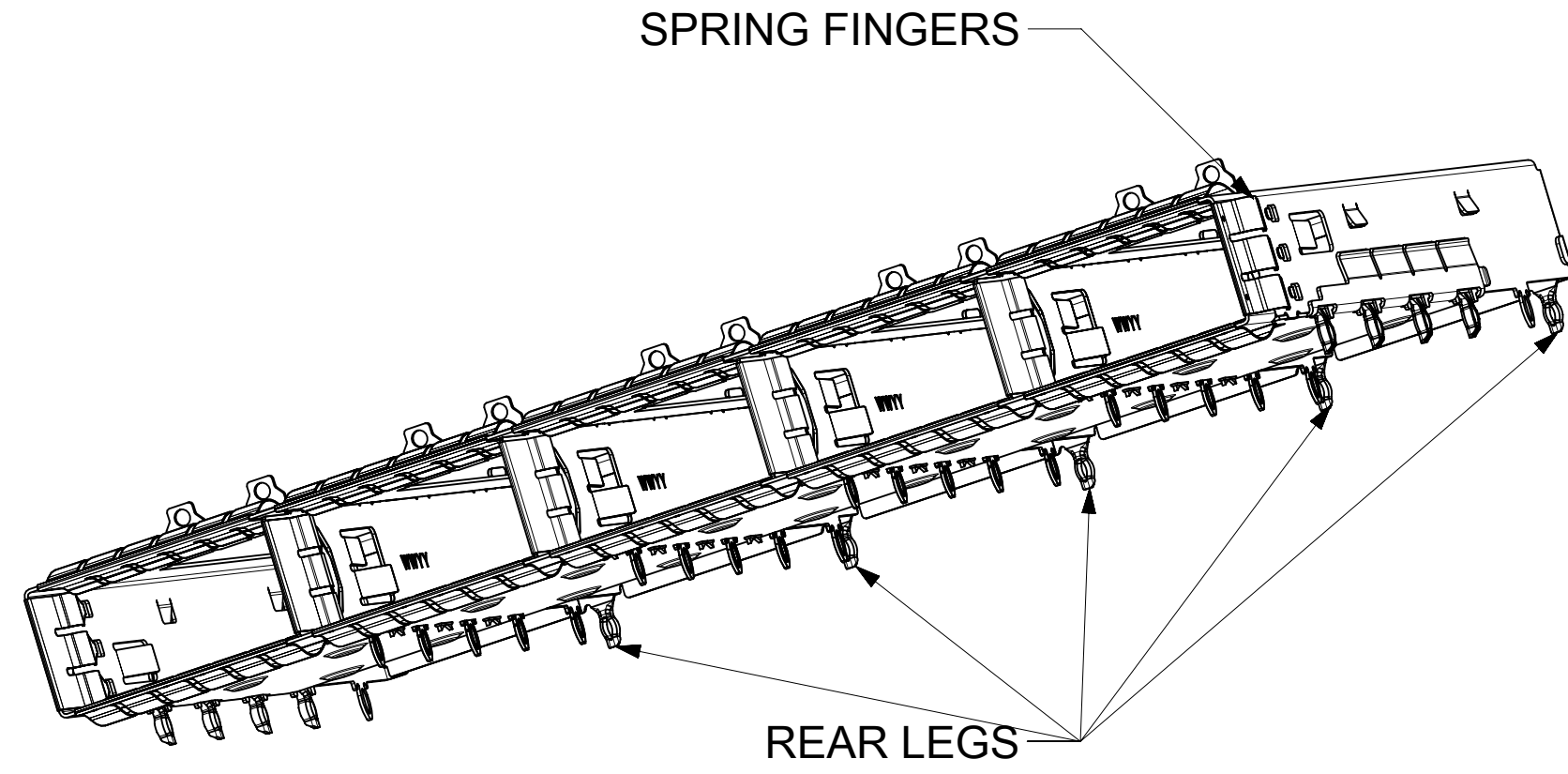
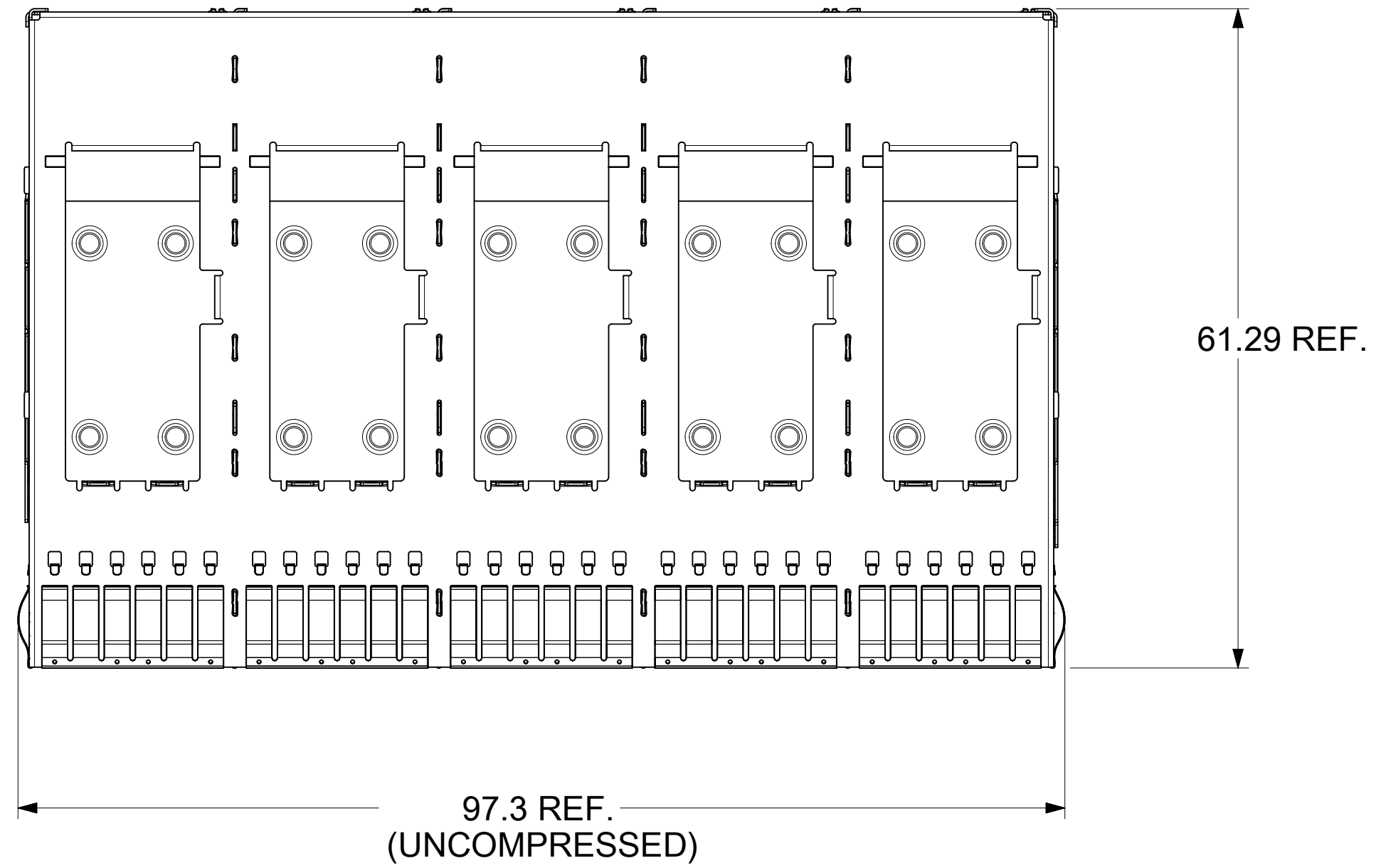
WEEK/YEAR DATE CODE TABLE	
WK	WEEK OF THE YEAR 01 THRU 52 (EXAMPLE: 01= FIRST WEEK OF YEAR 52= LAST WEEK OF YEAR)
YR	22, 23, 24 ETC.. (EXAMPLE: YEAR 2022= 22)

FUNCTIONAL SYMBOLS $\nabla_A = 0$ $\nabla_C = 0$ $\nabla_P = 0$	THIS DRAWING CONTAINS INFORMATION THAT IS PROPRIETARY TO MOLEX ELECTRONIC TECHNOLOGIES, LLC AND SHOULD NOT BE USED WITHOUT WRITTEN PERMISSION DIMENSION UNITS: mm SCALE: 2:1 CURRENT REV DESC: SEE REVISION DESCRIPTION	<p>ZQSFP+ 1X5 GANGED CAGE ASSY ASSY'S W/ SUS TAB TYPE SPRING FINGER</p> <p>PRODUCT CUSTOMER DRAWING</p>		
	GENERAL TOLERANCES (UNLESS SPECIFIED) ANGULAR TOL $\pm 2.0^\circ$			EC NO: 698878 DRWN: PRAJWG 2022/02/17 CHK'D: TKUMARKC 2022/03/10 APPR: JCHIANG 2022/03/24
	DIVISIONAL SYMBOLS 4 PLACES $\pm$ 3 PLACES $\pm$ 2 PLACES $\pm 0.13$ 1 PLACE $\pm 0.25$ 0 PLACES $\pm$			INITIAL REVISION: DRWN: PRAJWG 2022/02/17 APPR: JCHIANG 2022/03/24
	DRAFT WHERE APPLICABLE MUST REMAIN WITHIN DIMENSIONS			THIRD ANGLE PROJECTION DRAWING: D-SIZE SERIES: 100019 MATERIAL NUMBER: SEE P/N TABLE CUSTOMER: GENERAL MARKET SHEET NUMBER: 1 OF 6

BASIC CAGE DETAILS

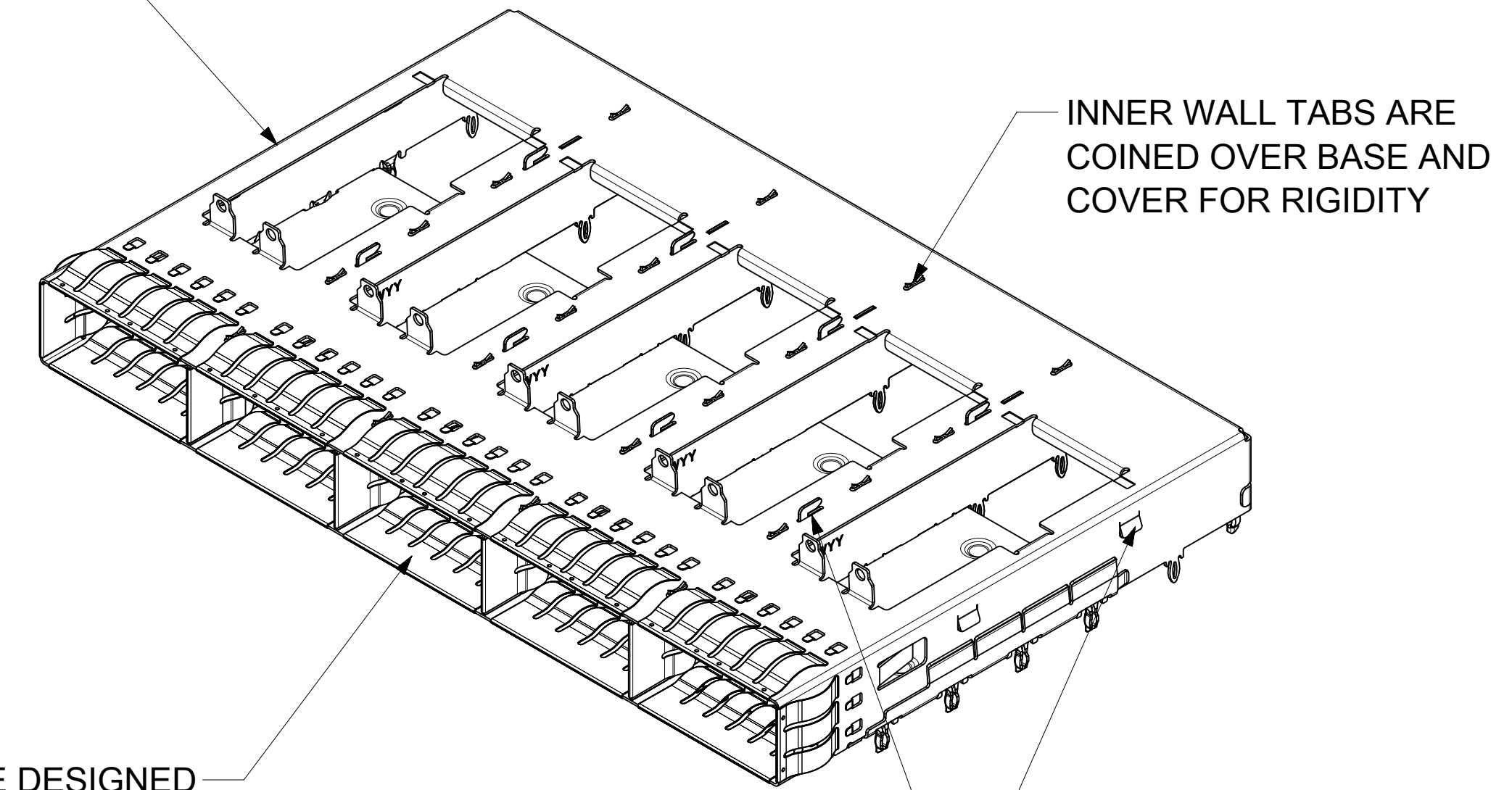
1000199252

SHOWN



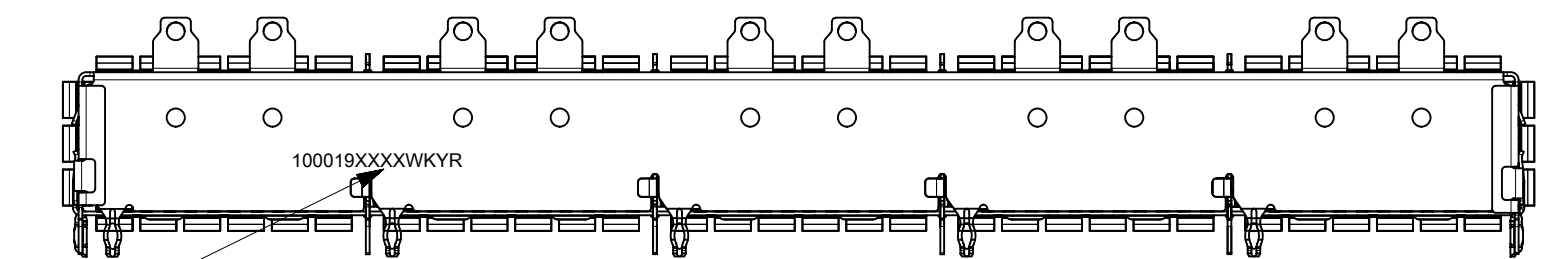
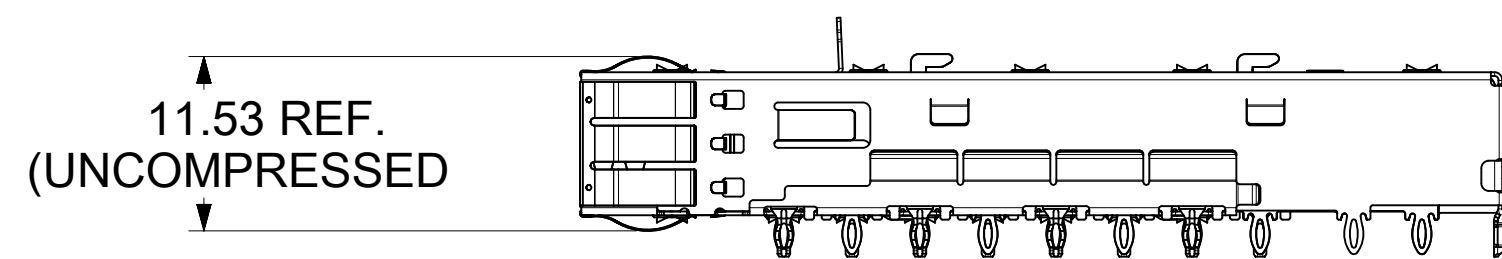
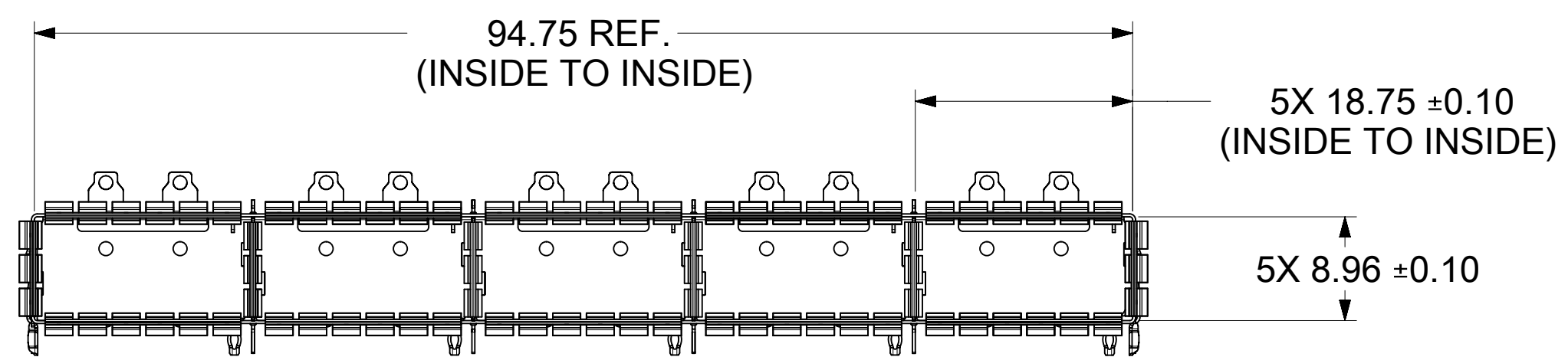
OPEN TOP

NO HEATSINKS  
NO LIGHT PIPES  
OPEN TOP



DIMENSIONS OF EACH INNER CAGE DESIGNED TO FUNCTION WITH QUAD SMALL FORM-FACTOR (zQSFP+) TRANSCEIVER

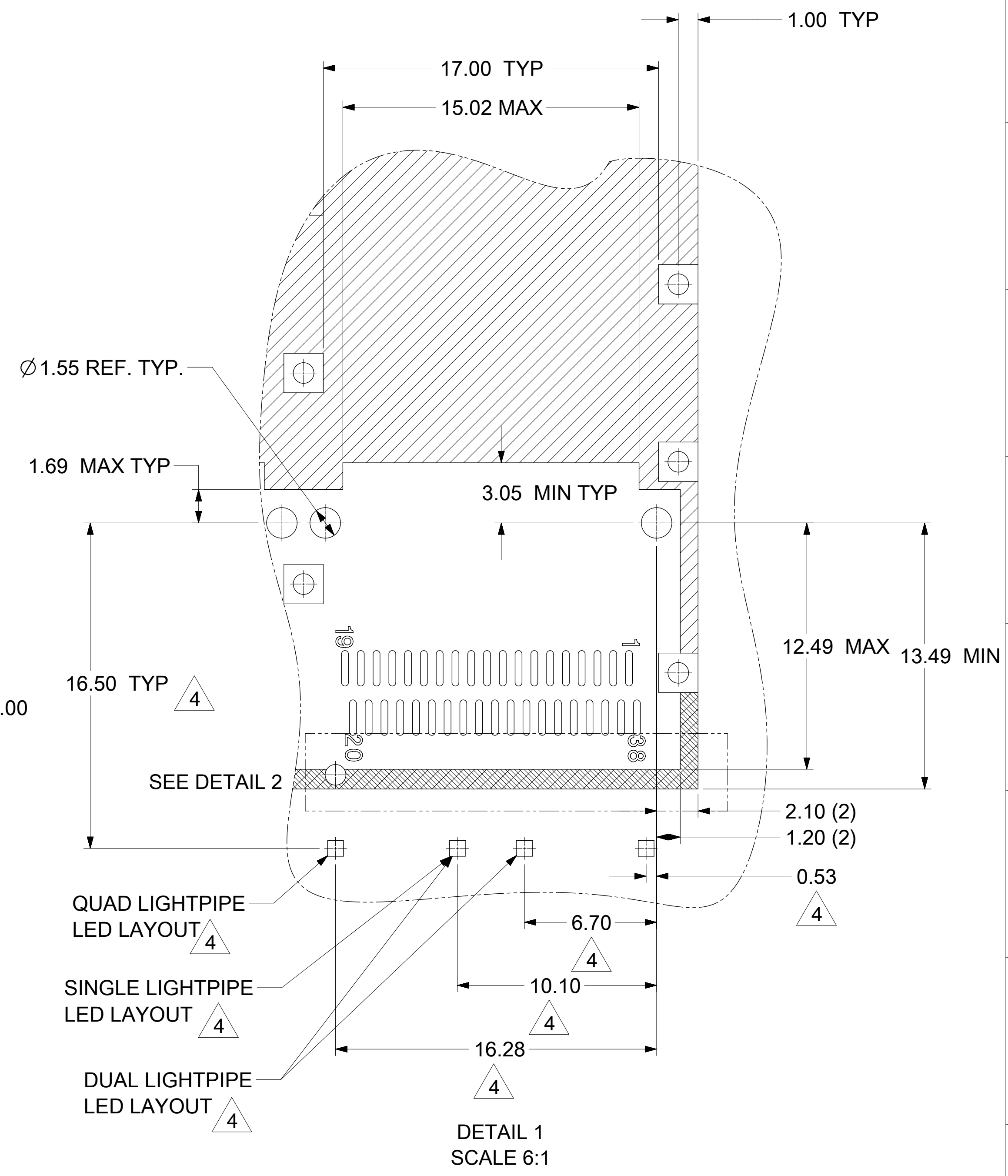
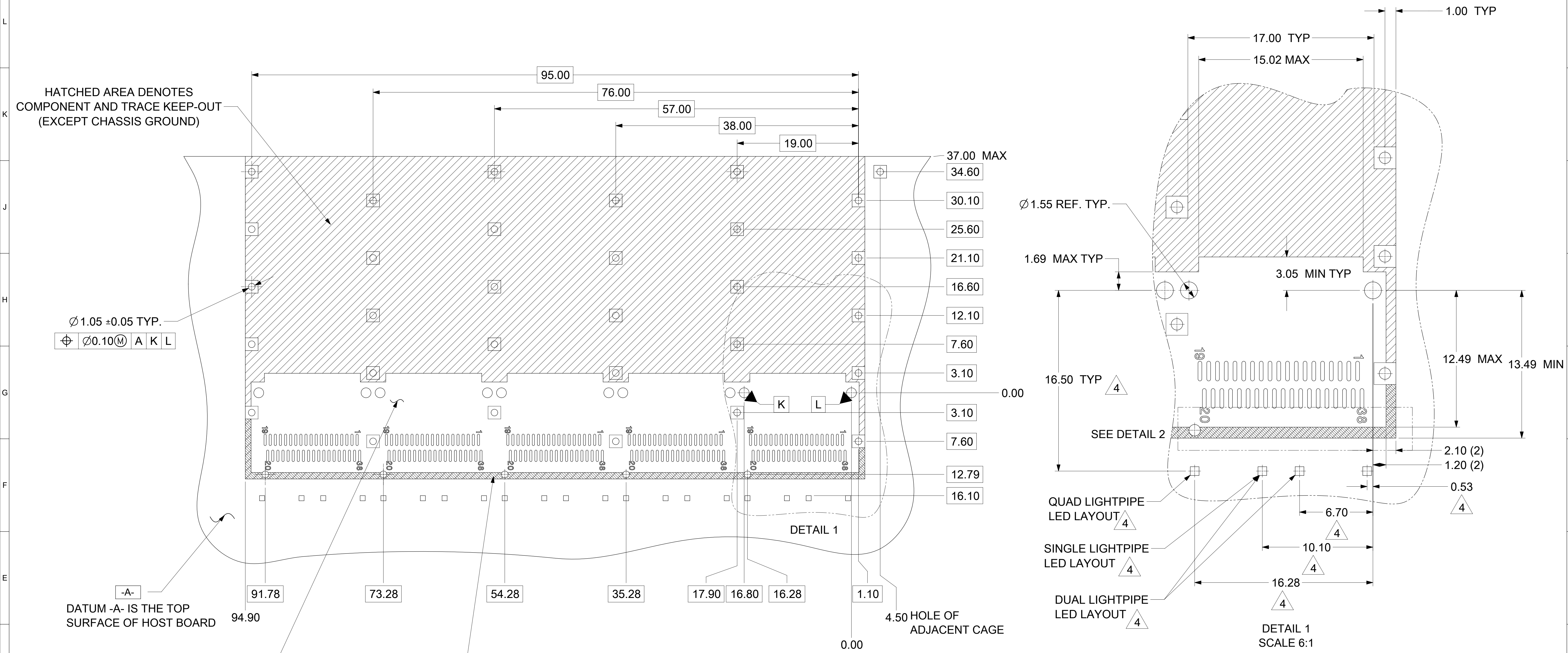
MOLEX P/N W/ SPRING FINGERS	#OF REAR LEGS PER PORT
1000199252	1



P/N AND WEEK/YEAR DATE CODE TO BE PRINTED ON BACK OF COMPLETED CAGE ASSEMBLY APPROXIMATELY AS SHOWN.  
NOTES:  
SEE TABLE BELOW FOR DATE CODE INFORMATION

FUNCTIONAL SYMBOLS $\nabla_A = 0$ $\nabla_C = 0$ $\nabla_D = 0$ DIVISIONAL SYMBOLS	THIS DRAWING CONTAINS INFORMATION THAT IS PROPRIETARY TO MOLEX ELECTRONIC TECHNOLOGIES, LLC AND SHOULD NOT BE USED WITHOUT WRITTEN PERMISSION		CURRENT REV DESC: SEE REVISION DESCRIPTION	
	DIMENSION UNITS	SCALE	EC NO: 698878	
	mm	2:1	DRWN: PRAJWG	2022/02/17
	GENERAL TOLERANCES (UNLESS SPECIFIED)		CHK'D: TKUMARKC	2022/03/10
ANGULAR TOL ± 2.0°		APPR: JCHIANG	2022/03/24	
4 PLACES ±		INITIAL REVISION:		
3 PLACES ±		DRWN: PRAJWG	2022/02/17	
2 PLACES ± 0.13		APPR: JCHIANG	2022/03/24	
1 PLACE ± 0.25		THIRD ANGLE PROJECTION		
0 PLACES ±		DRAWING	SERIES	
DRAFT WHERE APPLICABLE MUST REMAIN WITHIN DIMENSIONS		D-SIZE	100019	
DOCUMENT NUMBER		DOC TYPE	DOC PART	REVISION
1000193200		PSD	ASY	A
MATERIAL NUMBER		CUSTOMER		SHEET NUMBER
GENERAL MARKET		GENERAL MARKET		2 OF 6

# PCB LAYOUT FOR SINGLE SIDED MOUNTING



HATCHED AREA DENOTES COMPONENT AND TRACE KEEP-OUT (EXCEPT CHASSIS GROUND)

Ø 1.05 ± 0.05 TYP.  
 ⊕ Ø 0.10 (M) A K L

-A- DATUM -A- IS THE TOP SURFACE OF HOST BOARD

AREA DENOTES COMPONENT KEEP-OUT (TRACES ALLOWED)

CROSS HATCHED AREA DENOTES WHERE SURFACE TRACES ARE PERMITTED SEE NOTE 6

- NOTES:
1. PADS AND VIAS GO TO CHASSIS GROUND. (RECOMMENDED PADS TO BE 2.00mm SQUARE.)
  2. RECOMMENDED THRU HOLE PLATING INCLUDES HASL, OSP, OR IMMERSION (GOLD, SILVER, OR TIN).
  3. CONNECTOR PAD LAYOUT PER SFF-8663 WILL ACCOMMODATE MOLEX CONNECTOR SERRIES 170432.
  4. NOTED DIMENSIONS ONLY APPLY TO CAGE ASSEMBLIES WITH LIGHT PIPES.
  5. REFERENCE WHEN REAR LEGS ARE PRESENT. IF NO REAR LEGS, VIA AREA CAN BE USED FOR SURFACE TRACES. SEE SINGLE SIDE LAYOUT, DETAIL 2.

FUNCTIONAL SYMBOLS	THIS DRAWING CONTAINS INFORMATION THAT IS PROPRIETARY TO MOLEX ELECTRONIC TECHNOLOGIES, LLC AND SHOULD NOT BE USED WITHOUT WRITTEN PERMISSION		CURRENT REV DESC: SEE REVISION DESCRIPTION	
	FA = 0	mm	SCALE	3.5:1
DIVISIONAL SYMBOLS	GENERAL TOLERANCES (UNLESS SPECIFIED)		EC NO: 698878	
	FC = 0	ANGULAR TOL ± 2.0°		DRWN: PRAJWG 2022/02/17
FUNCTIONAL SYMBOLS	4 PLACES	±	CHK'D: TKUMARKC 2022/03/10	
	3 PLACES	±	APPR: JCHIANG 2022/03/24	
	2 PLACES	± 0.13	INITIAL REVISION:	
	1 PLACE	± 0.25	DRWN: PRAJWG 2022/02/17	
DIVISIONAL SYMBOLS	0 PLACES	±	APPR: JCHIANG 2022/03/24	
	DRAFT WHERE APPLICABLE MUST REMAIN WITHIN DIMENSIONS		THIRD ANGLE PROJECTION	DRAWING SERIES
		D-SIZE		100019
DOCUMENT STATUS		P1	RELEASE DATE	2022/03/24 02:36:00
		MATERIAL NUMBER		CUSTOMER
		SEE P/N TABLE		GENERAL MARKET
		DOCUMENT NUMBER		DOC TYPE
		1000193200		PSD ASY A
		SHEET NUMBER		3 OF 6

**molex**

ZQSFP+ 1X5 GANGED CAGE ASSY  
 ASSY'S W/ SUS TAB TYPE SPRING FINGER

PRODUCT CUSTOMER DRAWING

DOCUMENT NUMBER: 1000193200  
 DOC TYPE: PSD  
 DOC PART: ASY  
 REVISION: A

MATERIAL NUMBER: SEE P/N TABLE  
 CUSTOMER: GENERAL MARKET  
 SHEET NUMBER: 3 OF 6

# PCB LAYOUT FOR BELLY TO BELLY MOUNTING

NOTE:  
SEE SHEET 4 FOR  
HOST CONNECTOR DETAIL  
AND LED LOCATION DETAILS

HATCHED AREA DENOTES  
COMPONENT AND TRACE KEEP-OUT  
(EXCEPT CHASSIS GROUND)

DATUM -A- IS THE TOP  
SURFACE OF HOST BOARD

Ø 1.05 ± 0.05 TYP

⊕ Ø0.10 Ⓜ A K L

AREA DENOTES  
COMPONENT KEEP-OUT  
(TRACES ALLOWED)

HOLES FOR OPTIONAL  
REAR LEGS

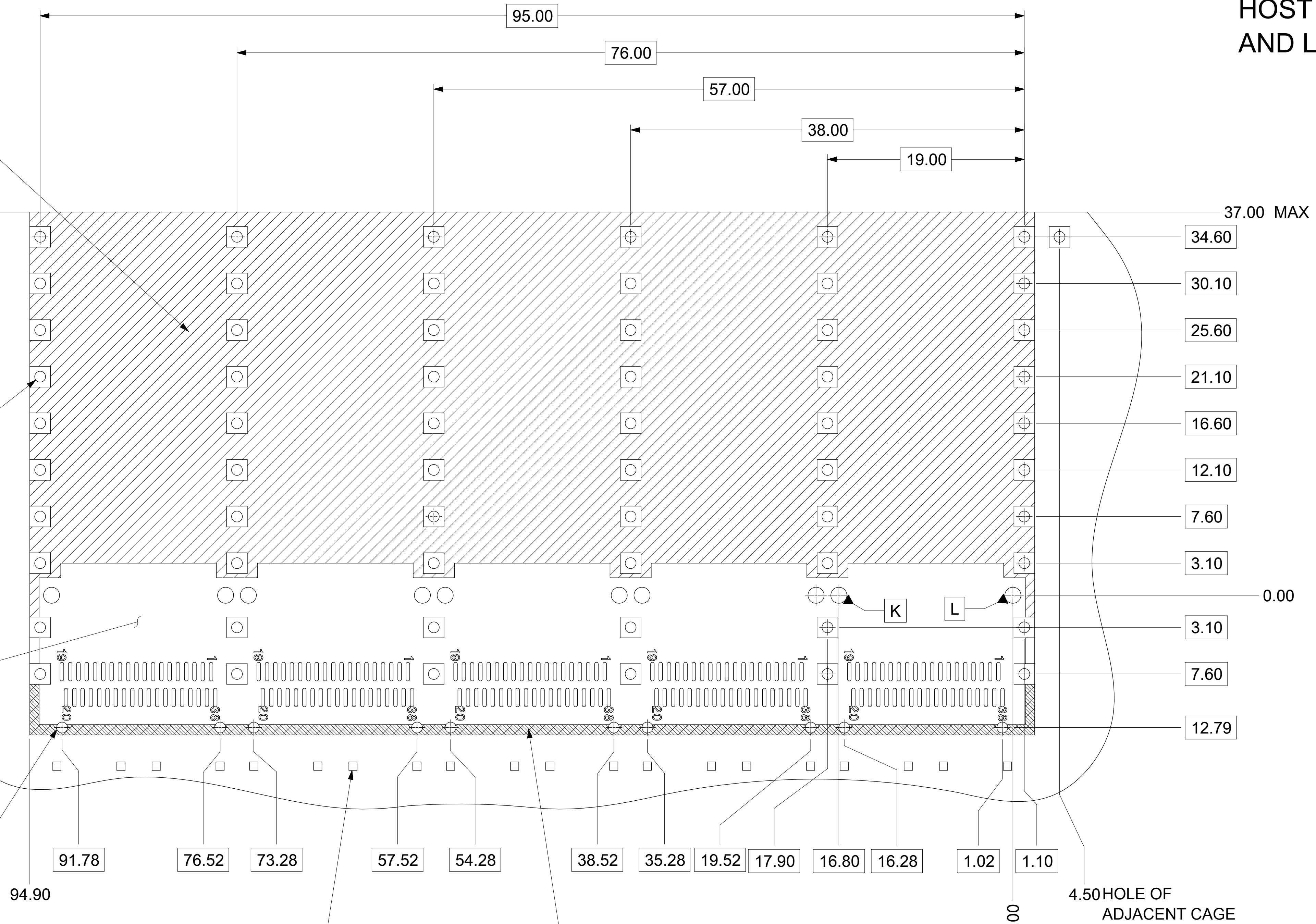
FOR CAGE ASSEMBLIES  
WITH LIGHT PIPES

CROSS HATCHED AREA DENOTES  
WHERE SURFACE TRACES  
ARE PERMITTED. SEE NOTE 5.

4.50 HOLE OF  
ADJACENT CAGE

NOTES:

1. PADS AND VIAS GO TO CHASSIS GROUND. (RECOMMENDED PADS TO BE 2.00mm SQUARE.)
2. RECOMMENDED THRU HOLE PLATING INCLUDES HASL, OSP, OR IMMERSION (GOLD, SILVER, OR TIN).
3. CONNECTOR PAD LAYOUT PER SFF-8663 WILL ACCOMODATE MOLEX CONNECTOR SERIES 170432.
4. REFERENCE WHEN REAR LEGS ARE PRESENT. IF NO REAR LEGS, VIA AREA CAN BE USED FOR SURFACE TRACES.  
SEE SINGLE SIDE LAYOUT, DETAIL 2 ON SHEET 4.



FUNCTIONAL SYMBOLS	THIS DRAWING CONTAINS INFORMATION THAT IS PROPRIETARY TO MOLEX ELECTRONIC TECHNOLOGIES, LLC AND SHOULD NOT BE USED WITHOUT WRITTEN PERMISSION		CURRENT REV DESC: SEE REVISION DESCRIPTION	
	FA = 0	mm	SCALE	4:1
DIVISIONAL SYMBOLS	GENERAL TOLERANCES (UNLESS SPECIFIED)		EC NO: 698878	
	FC = 0	ANGULAR TOL ± 2.0°	DRWN: PRAJWG	2022/02/17
FUNCTIONAL SYMBOLS	FP = 0	4 PLACES ±	CHK'D: TKUMARKC	2022/03/10
	4 PLACES ±	3 PLACES ±	APPR: JCHIANG	2022/03/24
	3 PLACES ±	2 PLACES ± 0.13	INITIAL REVISION:	
	2 PLACES ± 0.25	1 PLACE ±	DRWN: PRAJWG	2022/02/17
DRAFT WHERE APPLICABLE MUST REMAIN WITHIN DIMENSIONS		THIRD ANGLE PROJECTION	DRAWING	SERIES
		THIRD ANGLE PROJECTION	D-SIZE	100019
		MATERIAL NUMBER		CUSTOMER
		SEE P/N TABLE		GENERAL MARKET
		DOCUMENT NUMBER		DOC TYPE
		1000193200		PSD
		DOC PART		REVISION
		ASY		A
		SHEET NUMBER		
		4 OF 6		

**molex**

ZQSFP+ 1X5 GANGED CAGE ASSY  
ASSY'S W/ SUS TAB TYPE SPRING FINGER

PRODUCT CUSTOMER DRAWING

DOCUMENT NUMBER DOC TYPE DOC PART REVISION

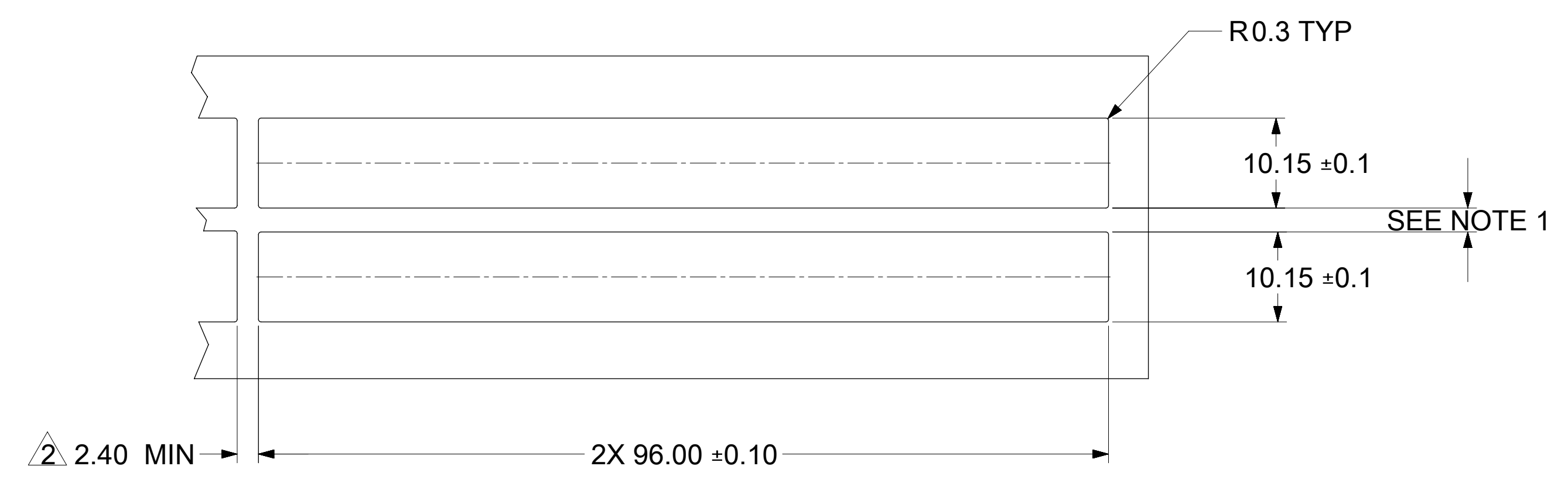
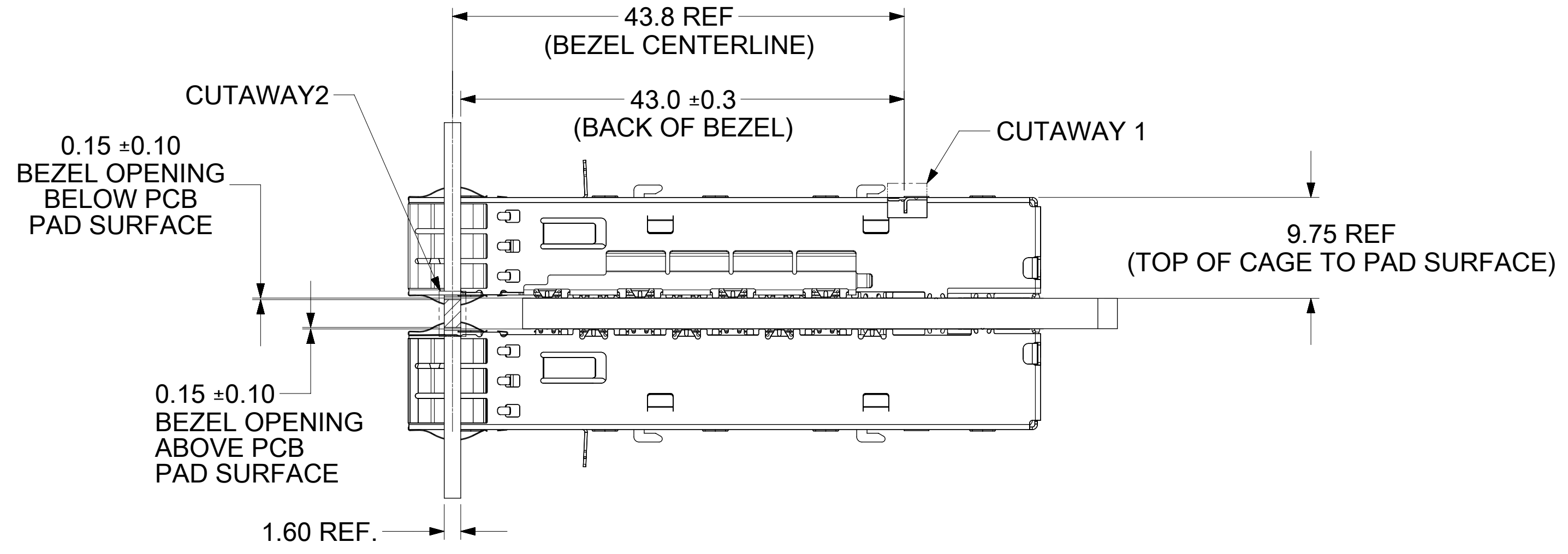
1000193200 PSD ASY A

MATERIAL NUMBER CUSTOMER SHEET NUMBER

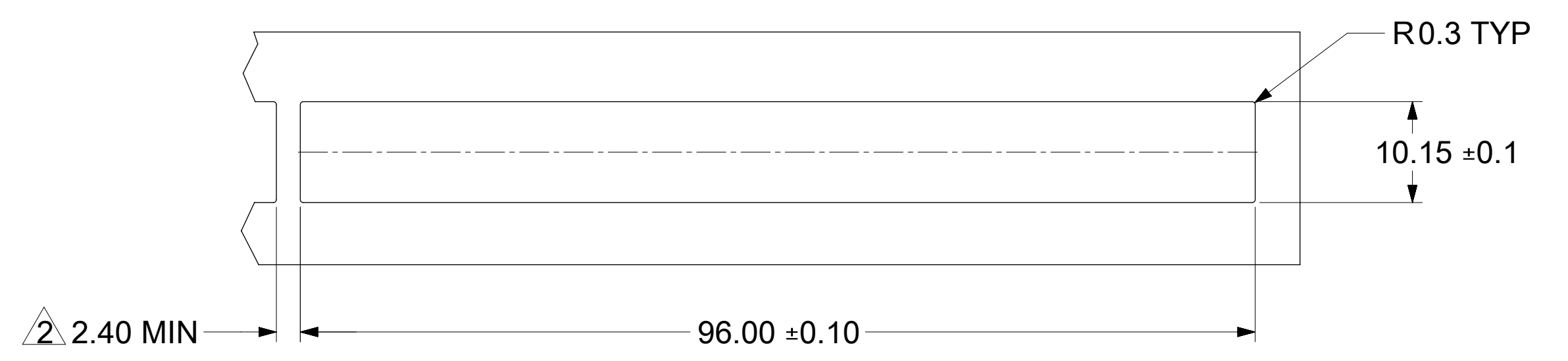
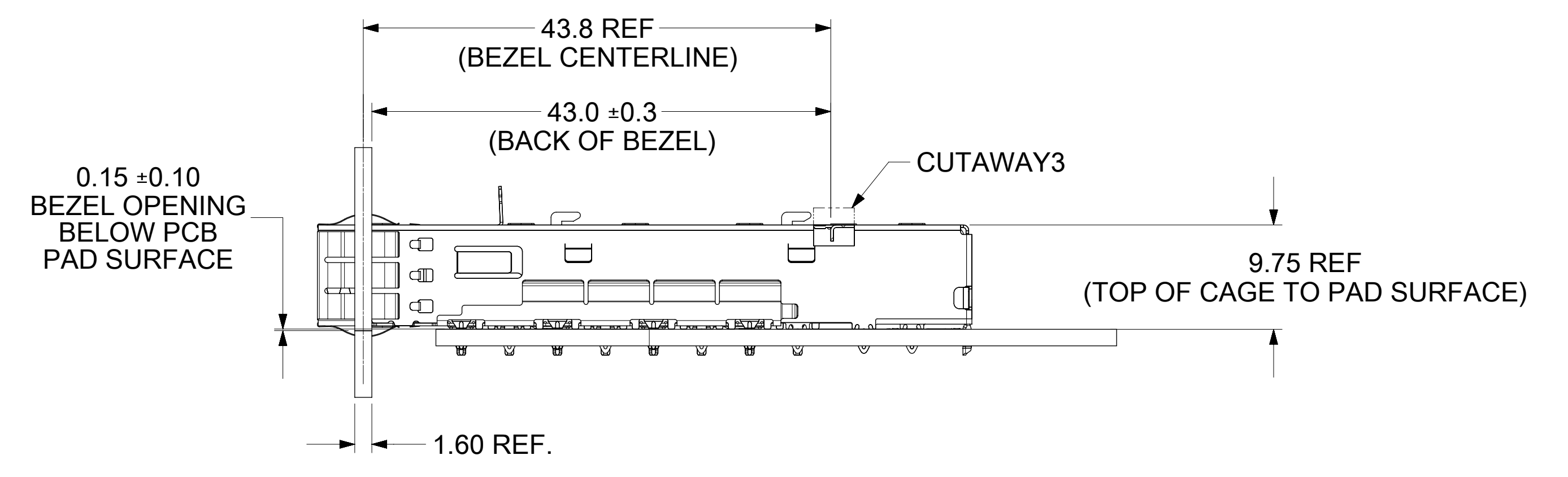
SEE P/N TABLE GENERAL MARKET 4 OF 6



# BEZEL AND BOARD POSITION DIMENSIONS FOR BELLY TO BELLY MOUNTING



# BEZEL AND BOARD POSITION DIMENSIONS FOR SINGLE SIDE MOUNTING



NOTE:  
 1. PCB THICKNESS VARIATION MUST BE CONSIDERED WHEN DETERMINING BEZEL OPENING LOCATION.  
 2. THIS DIMENSION IS FOR REFERENCE ONLY. USER CAN MODIFY IT DEPENDS ON APPLICATION. (THIS DIMENSION VARIES BASED ON DISTANCE OF " HOLE OF ADJACENT CAGE" ON PCB LAYOUT.)

THIS DRAWING CONTAINS INFORMATION THAT IS PROPRIETARY TO MOLEX ELECTRONIC TECHNOLOGIES, LLC AND SHOULD NOT BE USED WITHOUT WRITTEN PERMISSION											
FUNCTIONAL SYMBOLS		DIMENSION UNITS		SCALE		CURRENT REV DESC: SEE REVISION DESCRIPTION					
FA = 0		mm		2.5:1							
FC = 0		GENERAL TOLERANCES (UNLESS SPECIFIED)									
FD = 0		ANGULAR TOL ± 2.0°									
DIVISIONAL SYMBOLS		4 PLACES		±		EC NO: 698878		DRWN: PRAJWG 2022/02/17			
		3 PLACES		±		CHK'D: TKUMARKC		2022/03/10			
		2 PLACES		± 0.13		APPR: JCHIANG		2022/03/24			
		1 PLACE		± 0.25		INITIAL REVISION:					
		0 PLACES		±		DRWN: PRAJWG		2022/02/17			
						APPR: JCHIANG		2022/03/24			
DRAFT WHERE APPLICABLE MUST REMAIN WITHIN DIMENSIONS				THIRD ANGLE PROJECTION		DRAWING		SERIES		MATERIAL NUMBER	
				D-SIZE		100019		1000193200		CUSTOMER	
						SEE P/N TABLE		GENERAL MARKET		SHEET NUMBER	
										5 OF 6	


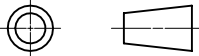


ZQSFP+ 1X5 GANGED CAGE ASSY  
 ASSY'S W/ SUS TAB TYPE SPRING FINGER

PRODUCT CUSTOMER DRAWING

DOCUMENT NUMBER	DOC TYPE	DOC PART	REVISION
1000193200	PSD	ASY	A

REV	DATE	DESCRIPTION
A	2022/02/24	INITIAL RELEASE

FUNCTIONAL SYMBOLS		THIS DRAWING CONTAINS INFORMATION THAT IS PROPRIETARY TO MOLEX ELECTRONIC TECHNOLOGIES, LLC AND SHOULD NOT BE USED WITHOUT WRITTEN PERMISSION										
$\nabla_A = 0$ $\nabla_C = 0$ $\nabla_P = 0$	DIMENSION UNITS	mm	SCALE	1:1	CURRENT REV DESC: SEE REVISION DESCRIPTION						 ZQSFP+ 1X5 GANGED CAGE ASSY ASSY'S W/ SUS TAB TYPE SPRING FINGER	
	GENERAL TOLERANCES (UNLESS SPECIFIED)				EC NO: 698878 DRWN: PRAJWG 2022/02/17 CHK'D: TKUMARKC 2022/03/10 APPR: JCHIANG 2022/03/24 INITIAL REVISION: DRWN: PRAJWG 2022/02/17 APPR: JCHIANG 2022/03/24							
	ANGULAR TOL		$\pm 2.0^\circ$									
DIVISIONAL SYMBOLS		4 PLACES	$\pm$	DOCUMENT NUMBER: 1000193200   DOC TYPE: PSD   DOC PART: ASY   REVISION: A SEE P/N TABLE   GENERAL MARKET   SHEET NUMBER: 6 OF 6								
		3 PLACES	$\pm$									
		2 PLACES	$\pm 0.13$									
		1 PLACE	$\pm 0.25$									
		0 PLACES	$\pm$	DRAFT WHERE APPLICABLE MUST REMAIN WITHIN DIMENSIONS		THIRD ANGLE PROJECTION		DRAWING	SERIES	MATERIAL NUMBER	CUSTOMER	
						D-SIZE	100019	SEE P/N TABLE	GENERAL MARKET	6 OF 6		