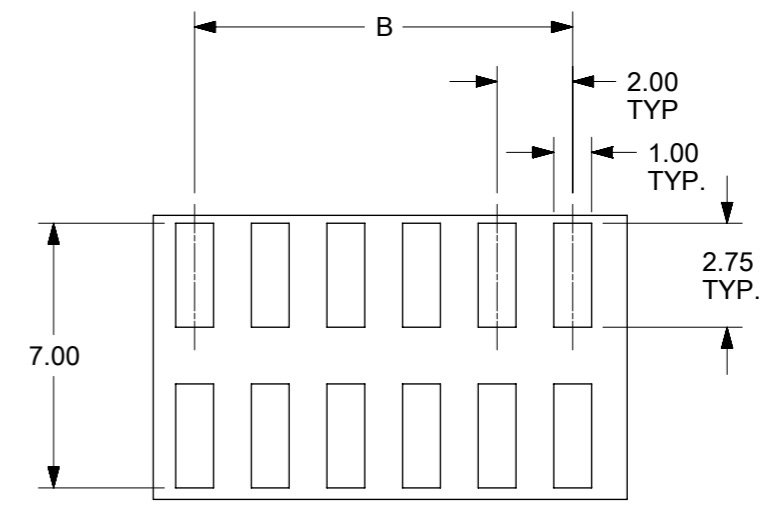
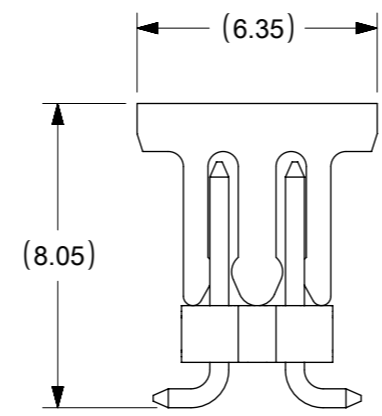
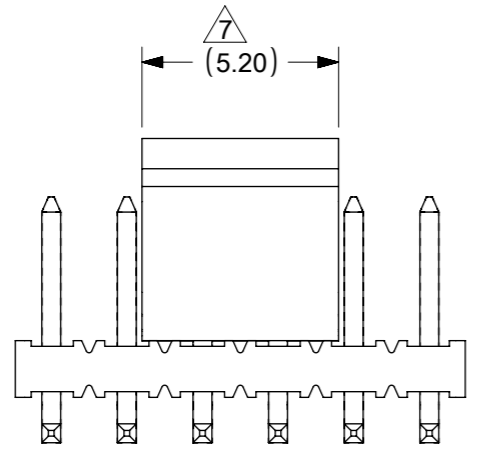


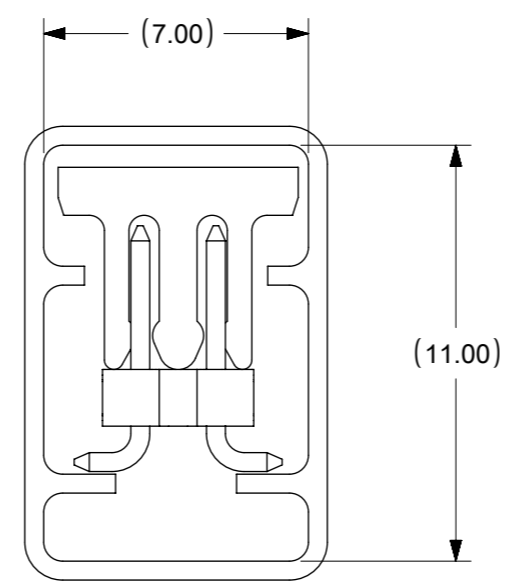
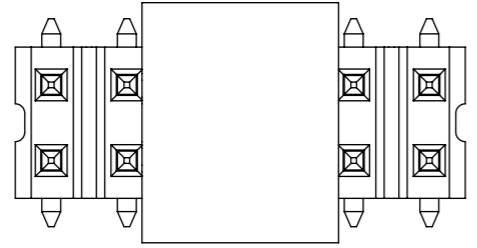
NOTE:

1. MATERIAL:
HSG & CAP - NYLON, GLASS FILLED
UL 94V-0, COLOUR BLACK
PIN - 0.50 SQ PHOSPHOR BRONZE
2. PLATING OPTION:
(1) 0.76µm MIN GOLD PLATE AT CONTACT AREA,
TIN PLATE AT SOLDER AREA,
BOTH OVER NICKEL UNDERPLATE
(2) 0.38µm MIN GOLD PLATE AT CONTACT AREA,
TIN PLATE AT SOLDER AREA,
BOTH OVER NICKEL UNDERPLATE
(3) 0.05 - 0.25µm GOLD PLATE AT CONTACT AREA,
TIN PLATE AT SOLDER AREA,
BOTH OVER NICKEL UNDERPLATE
3. PIN PUSHOUT FORCE: 1KG MIN IN EITHER DIRECTION
4. PRODUCT SPEC PS-87761-100 APPLIES.
5. BEND DEPRESSION IS ACCEPTABLE SO LONG AS IT DOES NOT AFFECT THE OVERALL COPLANARITY OF TAIL.
6. COPLANARITY IS TO BE MEASURED BY RESTING THE SOLDER TAIL ON A FLAT SURFACE.
7. CAP TO BE LOCATED AS CENTRAL OF PART AS POSSIBLE
TOP SURFACE OF CAP TO BE FLAT FOR THE PURPOSE OF PICK & PLACE BY VACUUM SUCTION NOZZLE.
8. FOR ILLUSTRATION PURPOSES, 12CKT IS SHOWN.
9. CKT 4 & 6 IS CUT FROM CKT 8 & 12 RESPECTIVELY
ROUGH EDGES ARE EXPECTED ALONG THE CUTTING EDGES.
10. PACKAGING SPECIFICATION:
FOR TRAY: PK-89990-487
FOR TUBE: PK-89990-476/ PK-89990-474/ PK-89990-475
FOR T&R: PK-89990-484/ 485

| | | | | | | | | | |
|---|--|-------|--|--|--|-----------------|--|------------------------------|--|
| THIS DRAWING CONTAINS INFORMATION THAT IS PROPRIETARY TO MOLEX ELECTRONIC TECHNOLOGIES, LLC AND SHOULD NOT BE USED WITHOUT WRITTEN PERMISSION | | | | | | | | | |
| DIMENSION UNITS | | SCALE | | CURRENT REV DESC: ADD 87759-3279 | | | | molex | |
| mm | | NTS | | | | | | | |
| GENERAL TOLERANCES (UNLESS SPECIFIED) | | | | EC NO: 174700 | | | | CUSTOM HEADER | |
| | | | | DRWN: NVELUSAMY 2017/12/28 | | | | MGRID, 2MM DUAL ROW HDR. SMT | |
| | | | | CHK'D: SCS02 2018/04/06 | | | | | |
| | | | | APPR: ISHWARG 2018/04/18 | | | | PRODUCT CUSTOMER DRAWING | |
| 4 PLACES ± | | | | INITIAL REVISION: | | | | DOCUMENT NUMBER | |
| 3 PLACES ± | | | | DRWN: KSEE 2003/12/12 | | | | SD-87759-117 | |
| 2 PLACES ± 0.2 | | | | APPR: SKTOH 2004/01/12 | | | | PSD 001 B10 | |
| 1 PLACE ± | | | | ANGULAR TOL ± 3.0° | | | | DOC TYPE DOC PART REVISION | |
| 0 PLACES ± | | | | DRAFT WHERE APPLICABLE MUST REMAIN WITHIN DIMENSIONS | | | | SHEET NUMBER | |
| | | | | THIRD ANGLE PROJECTION | | DRAWING | | CUSTOMER | |
| | | | | A3-SIZE | | SERIES | | GENERAL MARKET | |
| | | | | 87759 | | MATERIAL NUMBER | | SEE TABLE | |
| | | | | | | CUSTOMER | | GENERAL MARKET | |
| | | | | | | SHEET NUMBER | | 1 OF 8 | |

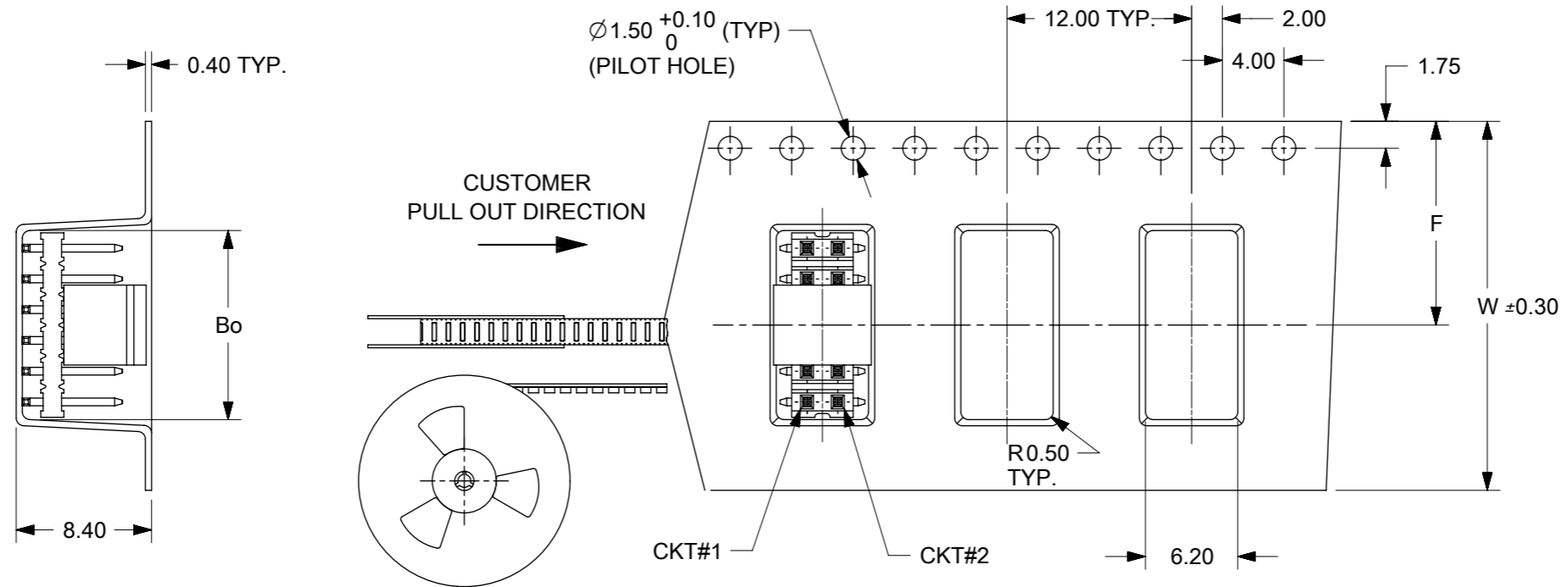


RECOMMENDED SOLDER PAD LAYOUT

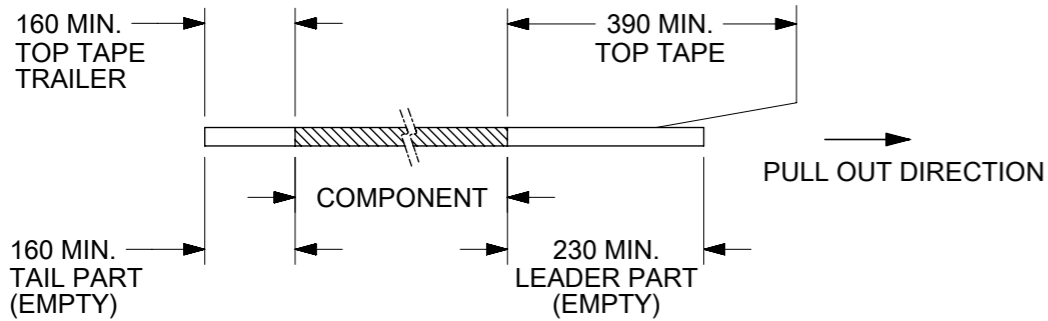


| | | | | | | | | | |
|---|--|--------|--|--|--|------------------------|--|------------------------------|--|
| THIS DRAWING CONTAINS INFORMATION THAT IS PROPRIETARY TO MOLEX ELECTRONIC TECHNOLOGIES, LLC AND SHOULD NOT BE USED WITHOUT WRITTEN PERMISSION | | | | | | | | | |
| DIMENSION UNITS | | SCALE | | CURRENT REV DESC: ADD 87759-3279 | | | | molex | |
| mm | | NTS | | | | | | | |
| GENERAL TOLERANCES (UNLESS SPECIFIED) | | | | EC NO: 174700 | | CUSTOMER | | CUSTOMER | |
| | | | | DRWN: NVELUSAMY | | 2017/12/28 | | MGRID, 2MM DUAL ROW HDR. SMT | |
| 4 PLACES ± | | | | CHK'D: SCS02 | | 2018/04/06 | | PRODUCT CUSTOMER DRAWING | |
| 3 PLACES ± | | | | APPR: ISHWARG | | 2018/04/18 | | DOCUMENT NUMBER | |
| 2 PLACES ± 0.2 | | | | INITIAL REVISION: | | 2003/12/12 | | SD-87759-117 | |
| 1 PLACE ± | | | | DRWN: KSEE | | 2004/01/12 | | DOC TYPE | |
| 0 PLACES ± | | | | APPR: SKTOH | | 2004/01/12 | | DOC PART | |
| ANGULAR TOL ± 3.0° | | | | DRAFT WHERE APPLICABLE MUST REMAIN WITHIN DIMENSIONS | | THIRD ANGLE PROJECTION | | REVISION | |
| DRAWING | | SERIES | | MATERIAL NUMBER | | CUSTOMER | | SHEET NUMBER | |
| A3-SIZE | | 87759 | | SEE TABLE | | GENERAL MARKET | | 2 OF 8 | |

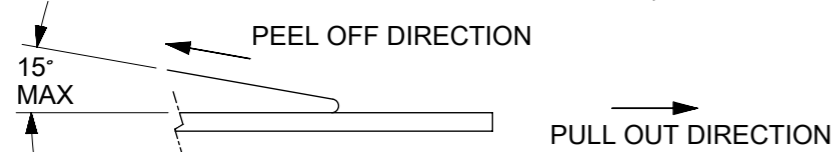
EMBOSSED CARRIER TAPE TYPE "A"



NOTES:
12. LEADER AND TRAILER TAPE



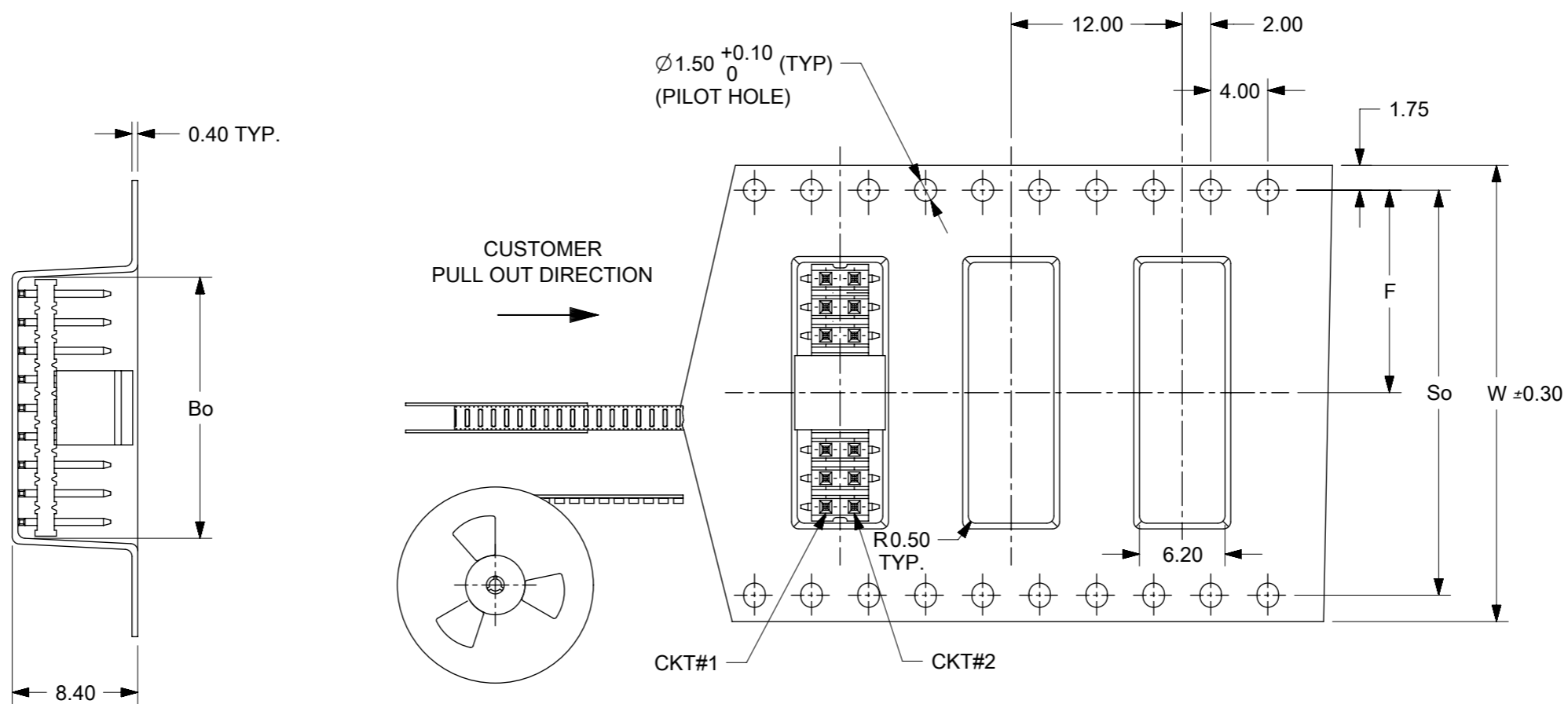
13. PEELING OFF FORCE OF THE TOP TAPE: 20 - 80gf.
(PEELING DIRECTION AS SHOWN IN FOLLOWING FIGURE)



- 14. PACKAGING STANDARD IS AS PER EIA-481.
- 15. TAPE & REEL QUANTITY = SEE TABLE
- 16. THE TAPE IS TREATED FOR ANTI-STATIC

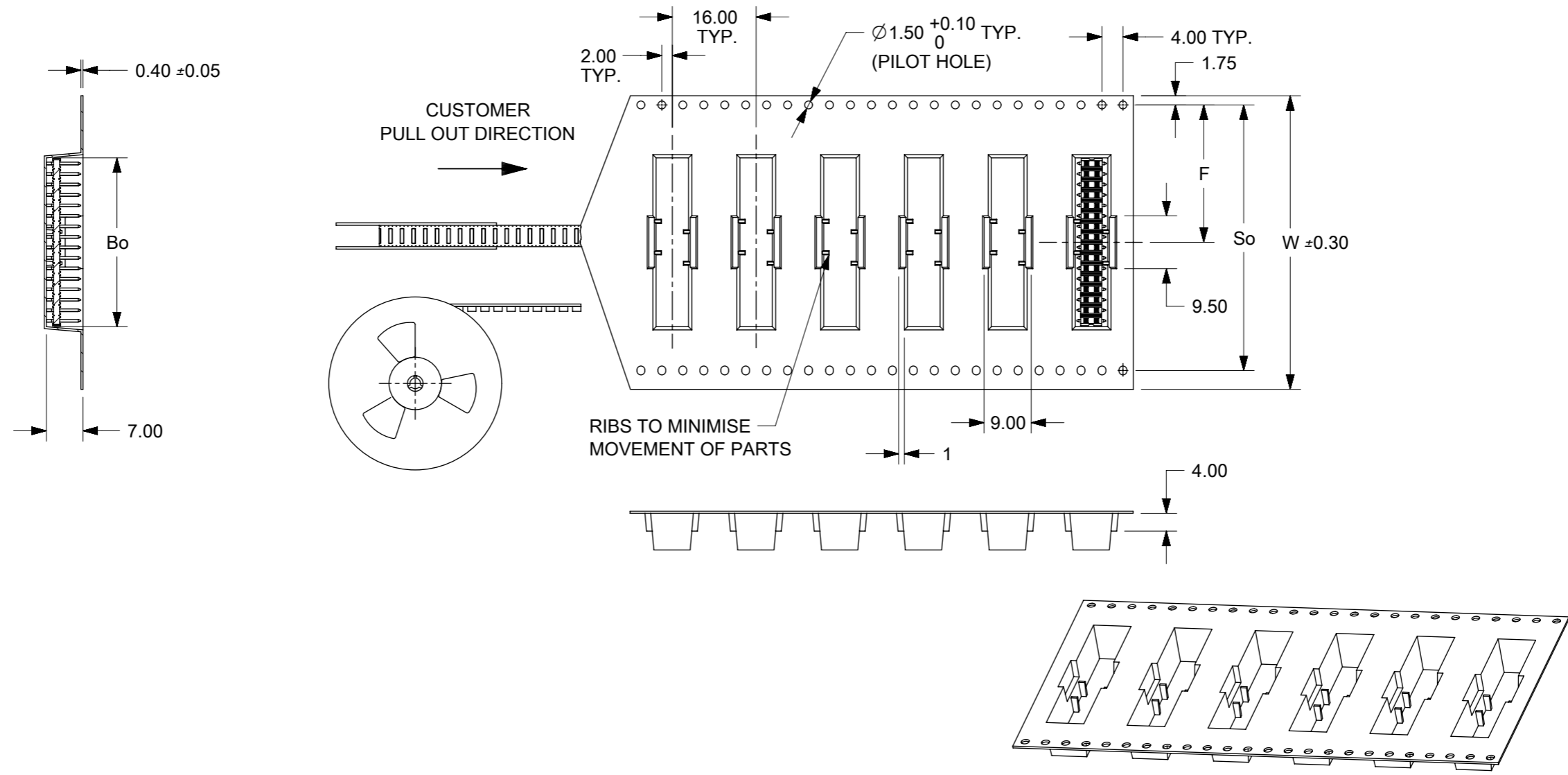
| | | | | | | | | | | | |
|---|--|-------|--|----------------------------------|--|--|--|--------------------------|--|---------------------------------------|--|
| THIS DRAWING CONTAINS INFORMATION THAT IS PROPRIETARY TO MOLEX ELECTRONIC TECHNOLOGIES, LLC AND SHOULD NOT BE USED WITHOUT WRITTEN PERMISSION | | | | | | | | | | | |
| DIMENSION UNITS | | SCALE | | CURRENT REV DESC: ADD 87759-3279 | | | | | | molex | |
| mm | | NTS | | | | | | | | | |
| GENERAL TOLERANCES (UNLESS SPECIFIED) | | | | EC NO: 174700 | | DRWN: NVELUSAMY | | 2017/12/28 | | CUSTOMER MGRID, 2MM DUAL ROW HDR. SMT | |
| 4 PLACES | | ± | | CHK'D: SCS02 | | 2018/04/06 | | PRODUCT CUSTOMER DRAWING | | | |
| 3 PLACES | | ± | | APPR: ISHWARG | | 2018/04/18 | | | | | |
| 2 PLACES | | ± 0.2 | | INITIAL REVISION: | | DRWN: KSEE | | 2003/12/12 | | DOCUMENT NUMBER | |
| 1 PLACE | | ± | | APPR: SKTOH | | 2004/01/12 | | SD-87759-117 | | DOC TYPE DOC PART REVISION | |
| 0 PLACES | | ± | | ANGULAR TOL ± 3.0° | | DRAFT WHERE APPLICABLE MUST REMAIN WITHIN DIMENSIONS | | THIRD ANGLE PROJECTION | | DRAWING | |
| | | | | | | | | SERIES | | MATERIAL NUMBER | |
| | | | | | | | | A3-SIZE | | CUSTOMER | |
| | | | | | | | | 87759 | | GENERAL MARKET | |
| | | | | | | | | SEE TABLE | | SHEET NUMBER | |
| | | | | | | | | 3 OF 8 | | | |

EMBOSSED CARRIER TAPE TYPE "B"



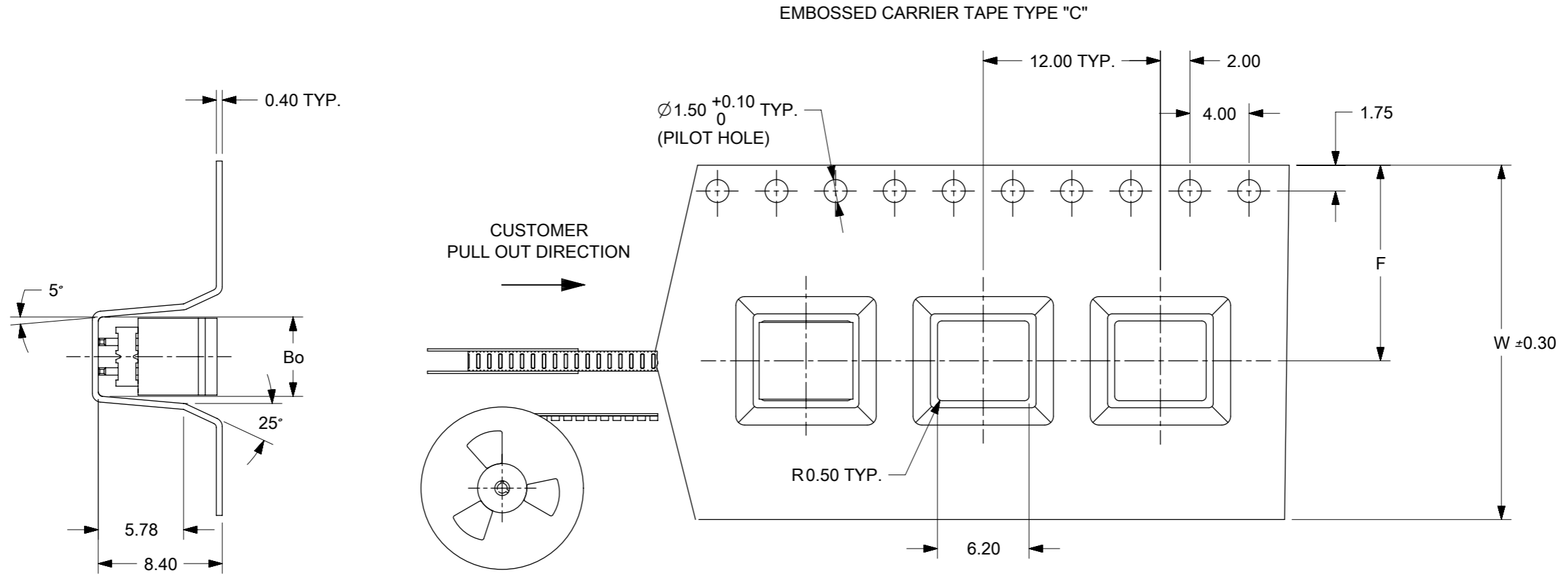
| | | | | | | | | | |
|---|--|--------|--|--|--|------------------------|--|------------------------------|--|
| THIS DRAWING CONTAINS INFORMATION THAT IS PROPRIETARY TO MOLEX ELECTRONIC TECHNOLOGIES, LLC AND SHOULD NOT BE USED WITHOUT WRITTEN PERMISSION | | | | | | | | | |
| DIMENSION UNITS | | SCALE | | CURRENT REV DESC: ADD 87759-3279 | | | | molex | |
| mm | | NTS | | | | | | | |
| GENERAL TOLERANCES (UNLESS SPECIFIED) | | | | EC NO: 174700 | | CUSTOMER | | CUSTOMER | |
| | | | | DRWN: NVELUSAMY | | 2017/12/28 | | MGRID, 2MM DUAL ROW HDR. SMT | |
| 4 PLACES ± | | | | CHK'D: SCS02 | | 2018/04/06 | | PRODUCT CUSTOMER DRAWING | |
| 3 PLACES ± | | | | APPR: ISHWARG | | 2018/04/18 | | DOCUMENT NUMBER | |
| 2 PLACES ± 0.2 | | | | INITIAL REVISION: | | 2003/12/12 | | SD-87759-117 | |
| 1 PLACE ± | | | | DRWN: KSEE | | 2004/01/12 | | DOC TYPE | |
| 0 PLACES ± | | | | APPR: SKTOH | | 2004/01/12 | | DOC PART | |
| ANGULAR TOL ± 3.0° | | | | DRAFT WHERE APPLICABLE MUST REMAIN WITHIN DIMENSIONS | | THIRD ANGLE PROJECTION | | REVISION | |
| DRAWING | | SERIES | | MATERIAL NUMBER | | CUSTOMER | | SHEET NUMBER | |
| A3-SIZE | | 87759 | | SEE TABLE | | GENERAL MARKET | | 4 OF 8 | |

EMBOSED CARRIER TAPE TYPE 'B1'



| | | | | | | | | | | |
|---|-------|--------|------------------------|----------------------------------|------------|--------|-----------------|----------------|--------------|--|
| THIS DRAWING CONTAINS INFORMATION THAT IS PROPRIETARY TO MOLEX ELECTRONIC TECHNOLOGIES, LLC AND SHOULD NOT BE USED WITHOUT WRITTEN PERMISSION | | | | | | | | | | |
| DIMENSION UNITS | | SCALE | | CURRENT REV DESC: ADD 87759-3279 | | | | molex | | CUSTOMER MGRID, 2MM DUAL ROW HDR. SMT |
| mm | | NTS | | | | | | | | |
| GENERAL TOLERANCES (UNLESS SPECIFIED) | | | | | | | | | | |
| | MM | INCH | | | | | | | | |
| 4 PLACES | ± | ± | | | | | | | | |
| 3 PLACES | ± | ± | | | | | | | | |
| 2 PLACES | ± 0.2 | ± | | | | | | | | |
| 1 PLACE | ± | ± | | | | | | | | |
| 0 PLACES | ± | ± | | | | | | | | |
| ANGULAR TOL | | ± 3.0° | | | | | | | | |
| DRAFT WHERE APPLICABLE MUST REMAIN WITHIN DIMENSIONS | | | THIRD ANGLE PROJECTION | | DRAWING | SERIES | MATERIAL NUMBER | CUSTOMER | SHEET NUMBER | |
| | | | | | A3-SIZE | 87759 | SEE TABLE | GENERAL MARKET | 5 OF 8 | |
| | | | EC NO: 174700 | | 2003/12/12 | | DOCUMENT NUMBER | | | |
| | | | DRWN: NVELUSAMY | | 2017/12/28 | | SD-87759-117 | | | |
| | | | CHK'D: SCS02 | | 2018/04/06 | | DOC TYPE | DOC PART | REVISION | |
| | | | APPR: ISHWARG | | 2018/04/18 | | PSD | 001 | B10 | |
| | | | INITIAL REVISION: | | | | | | | |
| | | | DRWN: KSEE | | 2003/12/12 | | | | | |
| | | | APPR: SKTOH | | 2004/01/12 | | | | | |

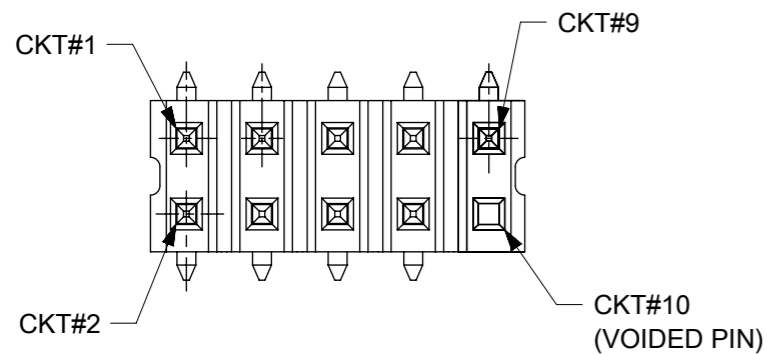
EMBOSSED CARRIER TAPE TYPE "C"
 THIS TYPE OF CARRIER IS FOR CKT SIZE 8 AND BELOW.



| | | | | | | | | | | |
|---|---|----------|------|----------------------------------|--|--------------|--|---------------------|--|---|
| THIS DRAWING CONTAINS INFORMATION THAT IS PROPRIETARY TO MOLEX ELECTRONIC TECHNOLOGIES, LLC AND SHOULD NOT BE USED WITHOUT WRITTEN PERMISSION | | | | | | | | | | |
| DIMENSION UNITS | | SCALE | | CURRENT REV DESC: ADD 87759-3279 | | | | molex | | CUSTOM HEADER MGRID, 2MM DUAL ROW HDR. SMT |
| mm | | NTS | | | | | | | | |
| GENERAL TOLERANCES (UNLESS SPECIFIED) | | | | | | | | | | |
| | | MM | INCH | EC NO: 174700 | | 2017/12/28 | | | | |
| 4 PLACES | ± | | | DRWN: NVELUSAMY | | 2018/04/06 | | | | |
| 3 PLACES | ± | | | CHK'D: SCS02 | | 2018/04/06 | | | | |
| 2 PLACES | ± | 0.2 | | APPR: ISHWARG | | 2018/04/18 | | | | |
| 1 PLACE | ± | | | INITIAL REVISION: | | | | | | |
| 0 PLACES | ± | | | DRWN: KSEE | | 2003/12/12 | | | | |
| ANGULAR TOL | | ± 3.0° | | APPR: SKTOH | | 2004/01/12 | | | | |
| DRAFT WHERE APPLICABLE MUST REMAIN WITHIN DIMENSIONS | | | | THIRD ANGLE PROJECTION | | DRAWING | | SERIES | | |
| | | | | | | A3-SIZE | | 87759 | | |
| DOCUMENT STATUS | | | | P1 | | RELEASE DATE | | 2018/04/18 05:28:02 | | |
| DOCUMENT NUMBER | | DOC TYPE | | DOC PART | | REVISION | | | | |
| SD-87759-117 | | PSD | | 001 | | B10 | | | | |
| MATERIAL NUMBER | | | | CUSTOMER | | SHEET NUMBER | | | | |
| SEE TABLE | | | | GENERAL MARKET | | 6 OF 8 | | | | |

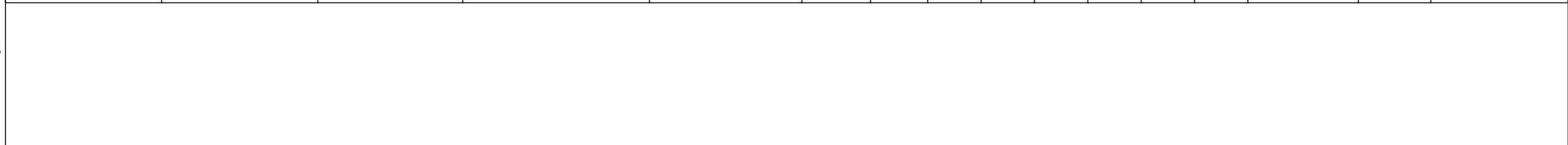
| 9 | 8 | 7 | 6 | 5 | 4 | 3 | 2 | 1 | | | | | | | |
|---------------------------------|---------------------------------|------------------------------|--|---|----------------------|-----------------------|-------|-------|-------|-------|-------|-------|----------------|-----------|----------------|
| PART NUMBER WITHOUT CAP IN TRAY | PART NUMBER WITHOUT CAP IN TUBE | PART NUMBER WITH CAP IN TUBE | PART NUMBER WITH CAP IN TAPE AND REEL. | PART NUMBER WITHOUT CAP IN TAPE AND REEL. | CKT SIZE | VOID CKTS | A | B | Bo | F | So | W | EMBOSSSED TYPE | QTY/ REEL | PLATING OPTION |
| 87759-0414 | - | 87759-0464 | 87759-0474 | - | 4 $\frac{\Delta}{9}$ | - | NA | 2.00 | 5.20 | 11.50 | - | 24.00 | C | 750 | |
| - | 87759-0614 | 87759-0664 | 87759-0674 | - | 6 $\frac{\Delta}{9}$ | - | NA | 4.00 | 7.20 | 11.50 | - | 24.00 | C | | |
| - | 87759-0814 | 87759-0864 | 87759-0874 | - | 8 | - | 7.90 | 6.00 | 8.20 | 11.50 | - | 24.00 | C | | |
| - | 87759-1014 | 87759-1064 | 87759-1074 | - | 10 | - | 9.90 | 8.00 | 10.20 | 11.50 | - | 24.00 | A | | |
| - | 87759-1002 | 87759-1003 | 87759-1004 | - | 10 | 10 $\frac{\Delta}{A}$ | 9.90 | 8.00 | 10.20 | 11.50 | - | 24.00 | A | | |
| - | 87759-1214 | 87759-1264 | 87759-1274 | - | 12 | - | 11.90 | 10.00 | 12.20 | 11.50 | - | 24.00 | A | | |
| - | 87759-1414 | 87759-1464 | 87759-1474 | - | 14 | - | 13.90 | 12.00 | 14.20 | 11.50 | - | 24.00 | A | | |
| - | 87759-1614 | 87759-1664 | 87759-1674 | - | 16 | - | 15.90 | 14.00 | 16.20 | 14.20 | 28.40 | 32.00 | B | | |
| - | 87759-1814 | 87759-1864 | 87759-1874 | - | 18 | - | 17.90 | 16.00 | 18.20 | 14.20 | 28.40 | 32.00 | B | | |
| - | 87759-2014 | 87759-2064 | 87759-2074 | - | 20 | - | 19.90 | 18.00 | 20.20 | 14.20 | 28.40 | 32.00 | B | | |
| - | 87759-2214 | 87759-2264 | 87759-2274 | - | 22 | - | 21.90 | 20.00 | 22.20 | 20.20 | 40.40 | 44.00 | B | | |
| - | 87759-2414 | 87759-2464 | 87759-2474 | - | 24 | - | 23.90 | 22.00 | 24.20 | 20.20 | 40.40 | 44.00 | B | | |
| - | 87759-2614 | 87759-2664 | 87759-2674 | - | 26 | - | 25.90 | 24.00 | 26.20 | 20.20 | 40.40 | 44.00 | B | | |
| - | 87759-2814 | 87759-2864 | 87759-2874 | - | 28 | - | 27.90 | 26.00 | 28.20 | 20.20 | 40.40 | 44.00 | B | | |
| - | 87759-3014 | 87759-3064 | 87759-3074 | - | 30 | - | 29.90 | 28.00 | 30.20 | 20.20 | 40.40 | 44.00 | B | | |
| - | 87759-3214 | 87759-3264 | 87759-3274 | - | 32 | - | 31.90 | 30.00 | 32.20 | 20.20 | 40.40 | 56.00 | B | | |
| - | - | - | - | B10 87759-3279 | 32 | - | 31.90 | 30.00 | 32.20 | 20.20 | 40.40 | 46.00 | B1 | 500 | |
| - | 87759-3414 | 87759-3464 | 87759-3474 | - | 34 | - | 33.90 | 32.00 | 34.20 | 26.20 | 52.40 | 56.00 | B | 750 | |
| - | 87759-3614 | 87759-3664 | 87759-3674 | - | 36 | - | 35.90 | 34.00 | 36.20 | 26.20 | 52.40 | 56.00 | B | | |
| - | - | - | - | 87759-3679 | 36 | - | 35.90 | 34.00 | 36.20 | 26.20 | 52.40 | 56.00 | B1 | 500 | |
| - | 87759-3814 | 87759-3864 | 87759-3874 | - | 38 | - | 37.90 | 36.00 | 38.20 | 26.20 | 52.40 | 56.00 | B | | |
| - | 87759-4014 | 87759-4064 | 87759-4074 | - | 40 | - | 39.90 | 38.00 | 40.20 | 26.20 | 52.40 | 56.00 | B | | |
| - | 87759-4214 | 87759-4264 | 87759-4274 | - | 42 | - | 41.90 | 40.00 | 42.20 | 26.20 | 52.40 | 56.00 | B | | |
| - | 87759-4414 | 87759-4464 | 87759-4474 | - | 44 | - | 43.90 | 42.00 | 44.20 | 26.20 | 52.40 | 56.00 | B | | |
| - | 87759-4614 | 87759-4664 | 87759-4674 | - | 46 | - | 45.90 | 44.00 | 46.20 | 26.20 | 52.40 | 56.00 | B | | |
| - | 87759-4814 | 87759-4864 | 87759-4874 | - | 48 | - | 47.90 | 46.00 | 48.20 | 26.20 | 52.40 | 56.00 | B | | |
| - | 87759-5014 | 87759-5064 | 87759-5074 | - | 50 | - | 49.90 | 48.00 | 50.20 | 34.20 | 68.40 | 72.00 | B | | |
| - | 87759-6814 | 87759-6864 | 87759-6874 | - | 8 | - | 7.90 | 6.00 | 8.20 | 11.50 | - | 24.00 | C | 3 | |

Δ NOTES:
VOIDED PIN CKT#10



| | | | | | | | | | | | | | | | |
|---|---|-------|------|--|--|---------|--|--|--|-----------------|--|----------------|--|--------------|--|
| THIS DRAWING CONTAINS INFORMATION THAT IS PROPRIETARY TO MOLEX ELECTRONIC TECHNOLOGIES, LLC AND SHOULD NOT BE USED WITHOUT WRITTEN PERMISSION | | | | | | | | | | | | | | | |
| DIMENSION UNITS | | SCALE | | CURRENT REV DESC: ADD 87759-3279 | | | | | | | | | | | |
| mm | | NTS | | <p>CUSTOM HEADER MGRID, 2MM DUAL ROW HDR. SMT</p> <p>PRODUCT CUSTOMER DRAWING</p> | | | | | | | | | | | |
| GENERAL TOLERANCES (UNLESS SPECIFIED) | | | | | | | | | | | | | | | |
| | | MM | INCH | | | | | | | | | | | | |
| 4 PLACES | ± | | ± | | | | | | | | | | | | |
| 3 PLACES | ± | | ± | | | | | | | | | | | | |
| 2 PLACES | ± | 0.2 | ± | | | | | | | | | | | | |
| 1 PLACE | ± | | ± | | | | | | | | | | | | |
| 0 PLACES | ± | | ± | | | | | | | | | | | | |
| ANGULAR TOL ± 3.0° | | | | EC NO: 174700 DRWN: NVELUSAMY 2017/12/28 CHK'D: SCS02 2018/04/06 APPR: ISHWARG 2018/04/18 | | | | INITIAL REVISION: DRWN: KSEE 2003/12/12 APPR: SKTOH 2004/01/12 | | | | | | | |
| DRAFT WHERE APPLICABLE MUST REMAIN WITHIN DIMENSIONS | | | | THIRD ANGLE PROJECTION | | DRAWING | | SERIES | | MATERIAL NUMBER | | CUSTOMER | | SHEET NUMBER | |
| | | | | | | A3-SIZE | | 87759 | | SEE TABLE | | GENERAL MARKET | | 7 OF 8 | |

| 9 | 8 | 7 | 6 | 5 | 4 | 3 | 2 | 1 | | | | | | | |
|---------------------------------|---------------------------------|------------------------------|--|---|----------------------|-----------|---------------|-------|-------|-------|-------|-------|---------------|-----------|----------------|
| PART NUMBER WITHOUT CAP IN TRAY | PART NUMBER WITHOUT CAP IN TUBE | PART NUMBER WITH CAP IN TUBE | PART NUMBER WITH CAP IN TAPE AND REEL. | PART NUMBER WITHOUT CAP IN TAPE AND REEL. | CKT SIZE | VOID CKTS | A | B | Bo | F | So | W | EMBOSSED TYPE | QTY/ REEL | PLATING OPTION |
| 87759-0415 | - | 87759-0465 | 87759-0475 | - | 4 $\frac{\Delta}{9}$ | - | 3.90 ±0.38 | 2.00 | 5.40 | 11.50 | - | 24.00 | C | 750 | 1 |
| - | 87759-0615 | 87759-0665 | 87759-0675 | - | 6 $\frac{\Delta}{9}$ | - | 5.90 ±0.38 | 4.00 | 7.20 | 11.50 | - | 24.00 | C | | |
| - | 87759-0815 | 87759-0865 | 87759-0875 | - | 8 | - | 7.90 | 6.00 | 8.20 | 11.50 | - | 24.00 | C | | |
| - | 87759-1015 | 87759-1065 | 87759-1075 | - | 10 | - | 9.90 | 8.00 | 10.20 | 11.50 | - | 24.00 | A | | |
| - | 87759-1215 | 87759-1265 | 87759-1275 | - | 12 | - | 11.90 | 10.00 | 12.20 | 11.50 | - | 24.00 | A | | |
| - | 87759-1415 | 87759-1465 | 87759-1475 | - | 14 | - | 13.90 | 12.00 | 14.20 | 11.50 | - | 24.00 | A | | |
| - | 87759-1615 | 87759-1665 | 87759-1675 | - | 16 | - | 15.90 | 14.00 | 16.20 | 14.20 | 28.40 | 32.00 | B | | |
| - | 87759-1815 | 87759-1865 | 87759-1875 | - | 18 | - | 17.90 | 16.00 | 18.20 | 14.20 | 28.40 | 32.00 | B | | |
| - | 87759-2015 | 87759-2065 | 87759-2075 | - | 20 | - | 19.90 | 18.00 | 20.20 | 14.20 | 28.40 | 32.00 | B | | |
| - | 87759-2215 | 87759-2265 | 87759-2275 | - | 22 | - | 21.90 | 20.00 | 22.20 | 20.20 | 40.40 | 44.00 | B | | |
| - | 87759-2415 | 87759-2465 | 87759-2475 | - | 24 | - | 23.90 | 22.00 | 24.20 | 20.20 | 40.40 | 44.00 | B | | |
| - | 87759-2615 | 87759-2665 | 87759-2675 | - | 26 | - | 25.90 | 24.00 | 26.20 | 20.20 | 40.40 | 44.00 | B | | |
| - | 87759-2815 | 87759-2865 | 87759-2875 | - | 28 | - | 27.90 | 26.00 | 28.20 | 20.20 | 40.40 | 44.00 | B | | |
| - | 87759-3015 | 87759-3065 | 87759-3075 | - | 30 | - | 29.90 | 28.00 | 30.20 | 20.20 | 40.40 | 44.00 | B | | |
| - | 87759-3215 | 87759-3265 | 87759-3275 | - | 32 | - | 31.90 | 30.00 | 32.20 | 20.20 | 40.40 | 44.00 | B | | |
| - | 87759-3415 | 87759-3465 | 87759-3475 | - | 34 | - | 33.90 | 32.00 | 34.20 | 26.20 | 52.40 | 56.00 | B | | |
| - | 87759-3615 | 87759-3665 | 87759-3675 | - | 36 | - | 35.90 | 34.00 | 36.20 | 26.20 | 52.40 | 56.00 | B | | |
| - | 87759-3815 | 87759-3865 | 87759-3875 | - | 38 | - | 37.90 | 36.00 | 38.20 | 26.20 | 52.40 | 56.00 | B | | |
| - | 87759-4015 | 87759-4065 | 87759-4075 | - | 40 | - | 39.90 | 38.00 | 40.20 | 26.20 | 52.40 | 56.00 | B | | |
| - | 87759-4215 | 87759-4265 | 87759-4275 | - | 42 | - | 41.90 | 40.00 | 42.20 | 26.20 | 52.40 | 56.00 | B | | |
| - | 87759-4415 | 87759-4465 | 87759-4475 | - | 44 | - | 43.90 | 42.00 | 44.20 | 26.20 | 52.40 | 56.00 | B | | |
| - | 87759-4615 | 87759-4665 | 87759-4675 | - | 46 | - | 45.90 | 44.00 | 46.20 | 26.20 | 52.40 | 56.00 | B | | |
| - | 87759-4815 | 87759-4865 | 87759-4875 | - | 48 | - | 47.90 | 46.00 | 48.20 | 26.20 | 52.40 | 56.00 | B | | |
| - | 87759-5015 | 87759-5065 | 87759-5075 | - | 50 | - | 49.90 | 48.00 | 50.20 | 34.20 | 68.40 | 72.00 | B | | |



| | | | | | | | | | | | | | | | |
|---|---|------------------------|------|--|--|-----------------|--|----------------|--|--------------|--|--|--|--|--|
| THIS DRAWING CONTAINS INFORMATION THAT IS PROPRIETARY TO MOLEX ELECTRONIC TECHNOLOGIES, LLC AND SHOULD NOT BE USED WITHOUT WRITTEN PERMISSION | | | | | | | | | | | | | | | |
| DIMENSION UNITS | | SCALE | | CURRENT REV DESC: ADD 87759-3279 | | | | | | | | | | | |
| mm | | NTS | |  CUSTOM HEADER MGRID, 2MM DUAL ROW HDR. SMT | | | | | | | | | | | |
| GENERAL TOLERANCES (UNLESS SPECIFIED) | | | | | | | | | | | | | | | |
| | | MM | INCH | EC NO: 174700 DRWN: NVELUSAMY 2017/12/28 CHK'D: SCS02 2018/04/06 APPR: ISHWARG 2018/04/18 PRODUCT CUSTOMER DRAWING | | | | | | | | | | | |
| 4 PLACES | ± | | ± | | | | | | | | | | | | |
| 3 PLACES | ± | | ± | | | | | | | | | | | | |
| 2 PLACES | ± | 0.2 | ± | | | | | | | | | | | | |
| 1 PLACE | ± | | ± | | | | | | | | | | | | |
| 0 PLACES | ± | | ± | | | | | | | | | | | | |
| ANGULAR TOL | | ± 3.0° | | INITIAL REVISION: DRWN: KSEE 2003/12/12 APPR: SKTOH 2004/01/12 DOCUMENT NUMBER: SD-87759-117 DOC TYPE: PSD DOC PART: 001 REVISION: B10 | | | | | | | | | | | |
| DRAFT WHERE APPLICABLE MUST REMAIN WITHIN DIMENSIONS | | THIRD ANGLE PROJECTION | | | | | | | | | | | | | |
| | | DRAWING | | SERIES | | MATERIAL NUMBER | | CUSTOMER | | SHEET NUMBER | | | | | |
| | | A3-SIZE | | 87759 | | SEE TABLE | | GENERAL MARKET | | 8 OF 8 | | | | | |

| | | | | |
|-----------------|----|--------------|------------|----------|
| DOCUMENT STATUS | P1 | RELEASE DATE | 2018/04/18 | 05:28:02 |
|-----------------|----|--------------|------------|----------|