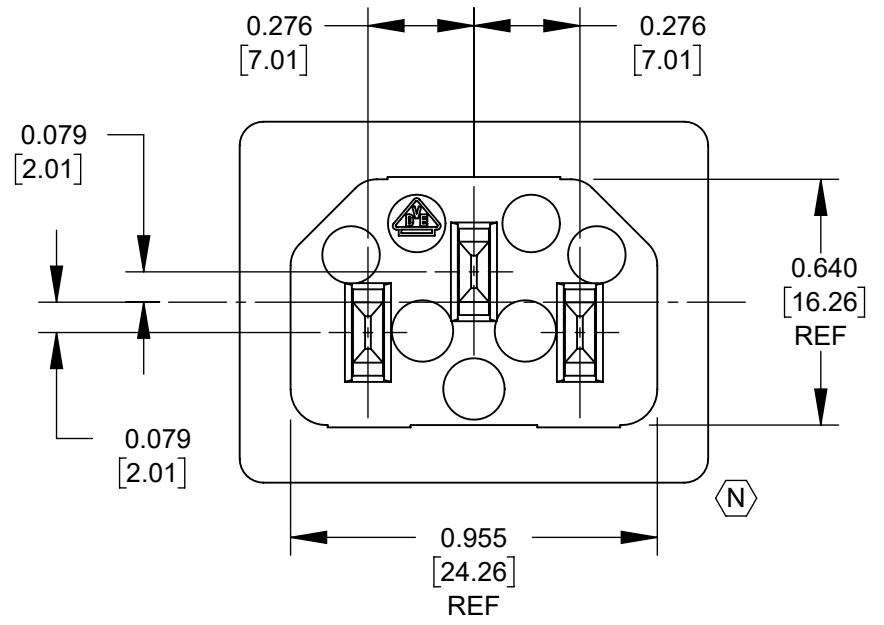
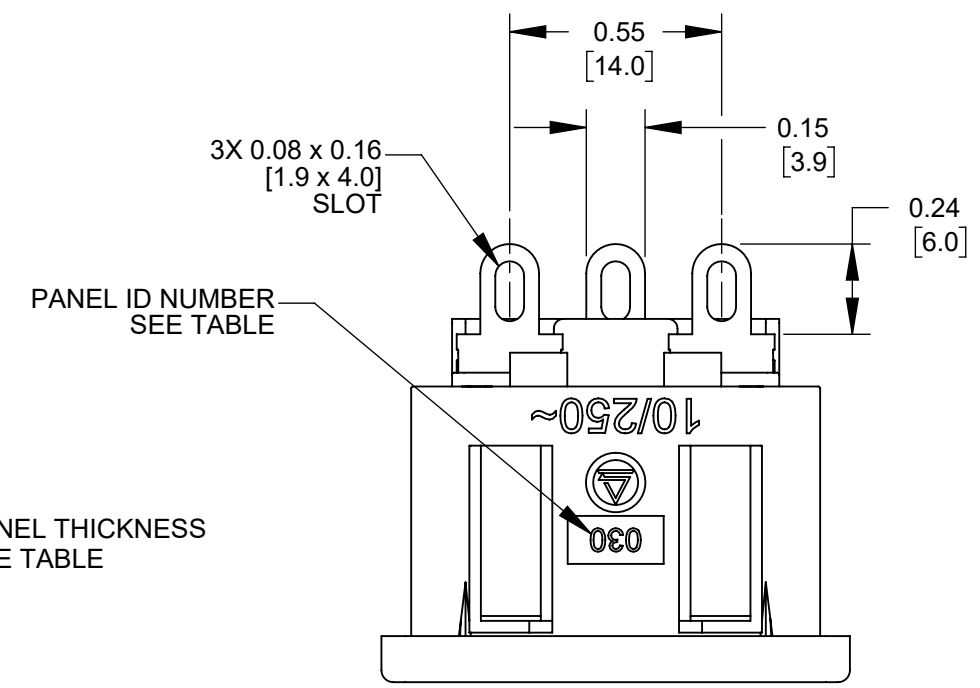
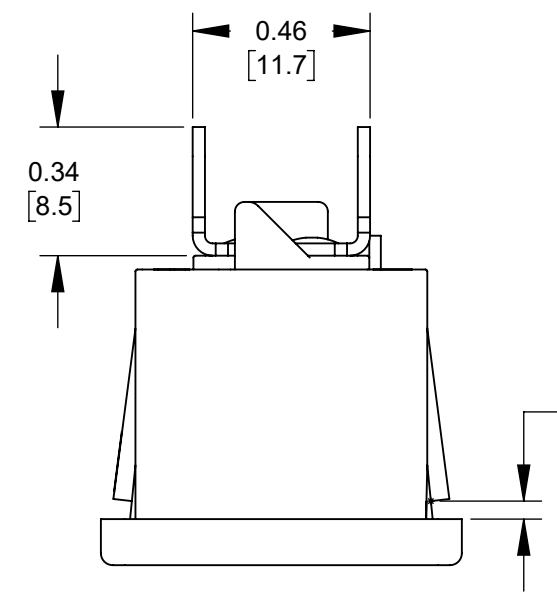
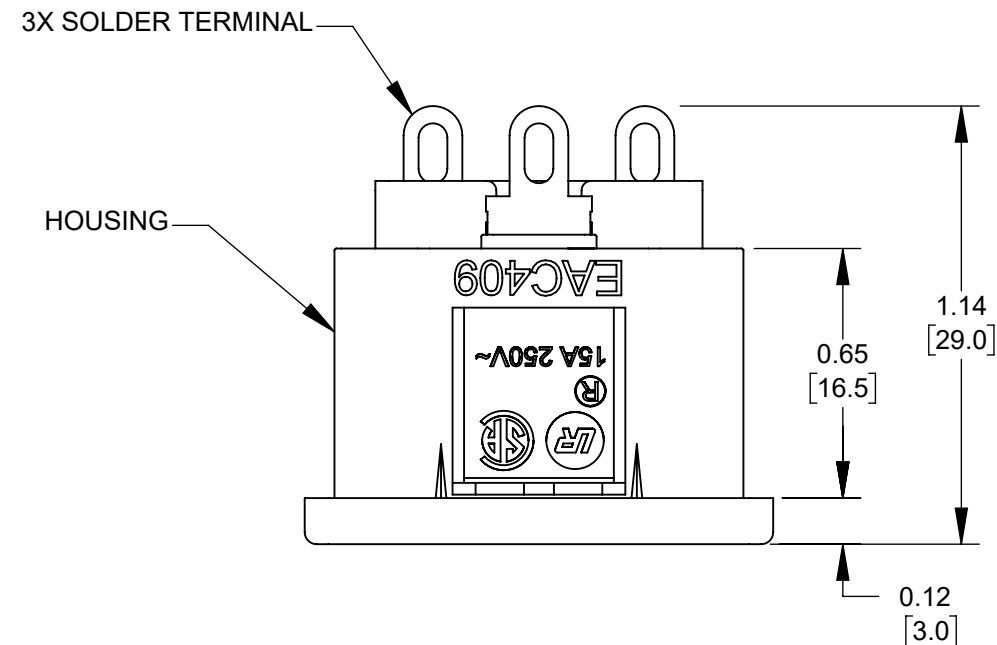
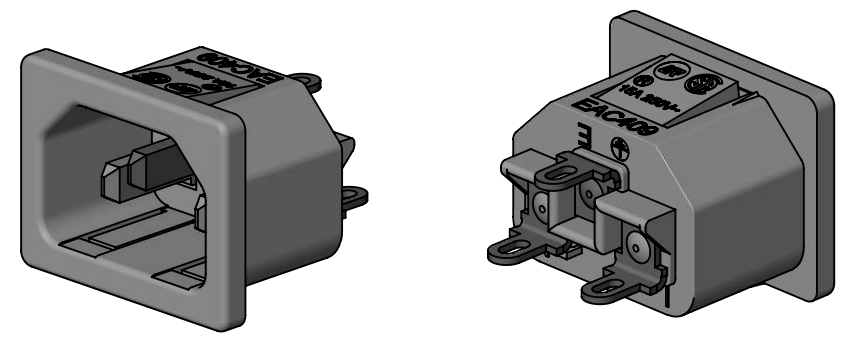


PART NUMBER	PANEL ID NUMBER	PANEL THICKNESS
EAC409030	030	0.030 - 0.040 [0.76 - 1.02]
EAC409040	040	0.040 - 0.050 [1.02 - 1.27]
EAC409050	050	0.050 - 0.060 [1.27 - 1.52]
EAC409060	060	0.060 - 0.070 [1.52 - 1.78]



- NOTES:
- 1. AGENCY APPROVAL & RATING:  
UL & CSA: 15A 250V~  
VDE: 10A, 250V
  - 2. MEETS IEC 60320 SPECIFICATION
  - 3. MATERIALS:  
HOUSING: BLACK THERMOPLASTIC  
TERMINALS: TIN PLATED COPPER ALLOY  
CONTACT PINS: TIN PLATED COPPER ALLOY



**CUSTOMER DRAWING**

REV	ECO NUMBER	DATE	BY	APVD
P	28549	01/16/23	PC	TJK
N	28175	6/4/19	TJK	TJK
M	26912	02/16/12	BL	TJK
L	24129	03/27/02	BL	TJK

UNLESS OTHERWISE SPECIFIED

1. ALL DIMENSIONS IN INCHES [mm]  
- TWO PLACE DECIMALS ±0.02 [0.5]  
- THREE PLACE DECIMALS ±0.005 [0.13]

**DO NOT SCALE DRAWING**

THIS DRAWING DESCRIBES A DESIGN CONSIDERED PROPRIETARY IN NATURE, DEVELOPED AND MANUFACTURED BY SWITCHCRAFT INC. AND IS RELEASED ON A CONFIDENTIAL BASIS FOR IDENTIFICATION PURPOSES ONLY.									
SIZE	WIDTH	MULT	LBS/M	TEMPER					
FINISH SPEC No.					MATERIAL SPEC No.				
FIRST USED ON					SCALE 2:1				
DATE DRAWN	BY	CHKD	APVD						
06/04/84	THS	AM	RV						
			02/23/87	02/23/87					
NAME					PART No.				
SNAP-IN MALE AC RECEPTACLE SOLDER TERMINALS					EAC409 SERIES				
									REV P