

LIS2DU12 adapter board for a standard DIL 24 socket



Features

- Complete LIS2DU12 pinout for a standard DIL 24 socket
- Fully compatible with the STEVAL-MKI109V3 motherboard
- RoHS compliant

Description

The STEVAL-MKI222V1 is an adapter board designed to facilitate the evaluation of MEMS devices in the LIS2DU12 product family.

The board offers an effective solution for fast system prototyping and device evaluation directly within the user's own application.

The STEVAL-MKI222V1 can be plugged into a standard DIL 24 socket.

It provides the complete LIS2DU12 pinout and embeds the required decoupling capacitors on the VDD power supply line.

The adapter is fully compatible with the STEVAL-MKI109V3 motherboard, which includes a high-performance 32-bit microcontroller functioning as a bridge between the sensor and a PC.

You can use the Unico-GUI graphical user interface downloadable from www.st.com (STSW-MKI109L for Linux, STSW-MKI109M for Mac OSX or STSW-MKI109W for Windows) or dedicated software routines for customized applications.

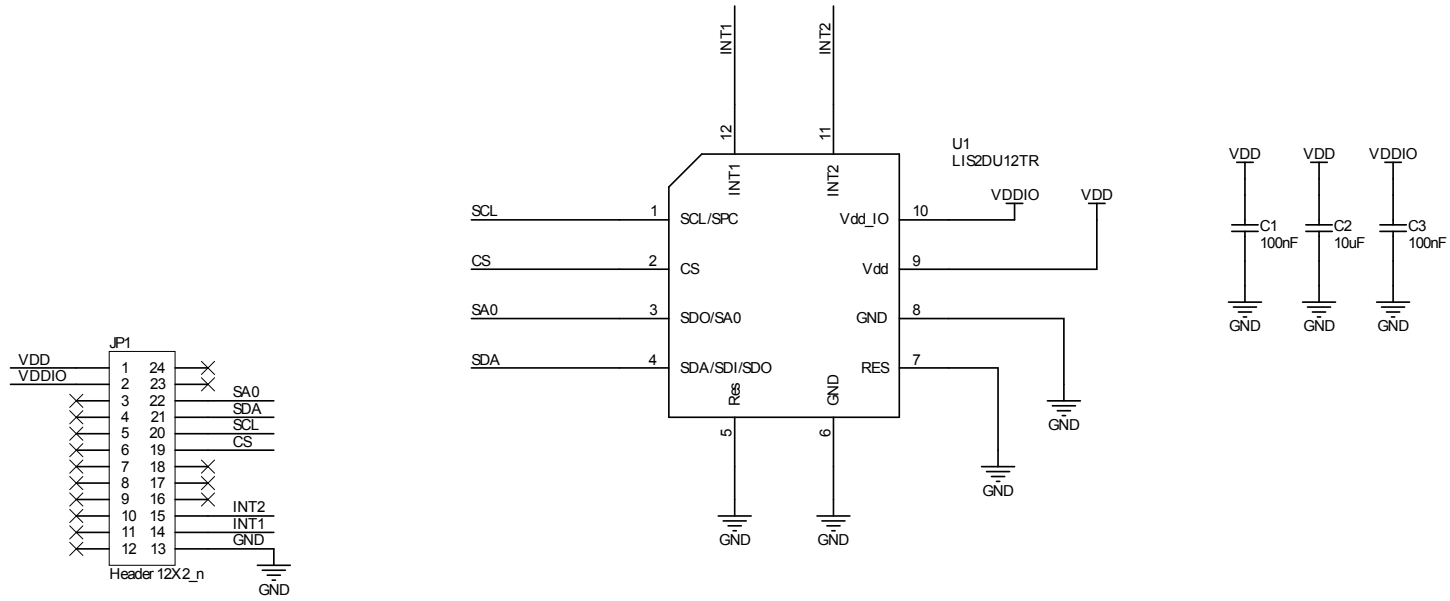
Plug the adapter into the X-NUCLEO-IKS01A3 expansion board to develop your own applications.

Product summary

LIS2DU12 adapter board for a standard DIL 24 socket	STEVAL-MKI222V1
MEMS digital output motion sensor: advanced ultra-low-power 3-axis accelerometer	LIS2DU12TR
MEMS adapter motherboard based on the STM32F401VE	STEVAL-MKI109V3
Motion MEMS and environmental sensor expansion board for STM32 Nucleo	X-NUCLEO-IKS01A3
Applications	Sports Equipment

1 Schematic diagrams

Figure 1. STEVAL-MKI222V1 circuit schematic



2 Board versions

Table 1. STEVAL-MKI221V1 versions

Finished good	Schematic diagrams	Bill of materials
STEVAL\$MKI222V1A ⁽¹⁾	STEVAL\$MKI222V1A schematic diagrams	STEVAL\$MKI222V1A bill of materials

1. This code identifies the STEVAL-MKI222V1 evaluation board first version.

Revision history

Table 2. Document revision history

Date	Revision	Changes
09-Nov-2021	1	Initial release.

IMPORTANT NOTICE – READ CAREFULLY

STMicroelectronics NV and its subsidiaries (“ST”) reserve the right to make changes, corrections, enhancements, modifications, and improvements to ST products and/or to this document at any time without notice. Purchasers should obtain the latest relevant information on ST products before placing orders. ST products are sold pursuant to ST’s terms and conditions of sale in place at the time of order acknowledgment.

Purchasers are solely responsible for the choice, selection, and use of ST products and ST assumes no liability for application assistance or the design of purchasers’ products.

No license, express or implied, to any intellectual property right is granted by ST herein.

Resale of ST products with provisions different from the information set forth herein shall void any warranty granted by ST for such product.

ST and the ST logo are trademarks of ST. For additional information about ST trademarks, refer to www.st.com/trademarks. All other product or service names are the property of their respective owners.

Information in this document supersedes and replaces information previously supplied in any prior versions of this document.

© 2022 STMicroelectronics – All rights reserved