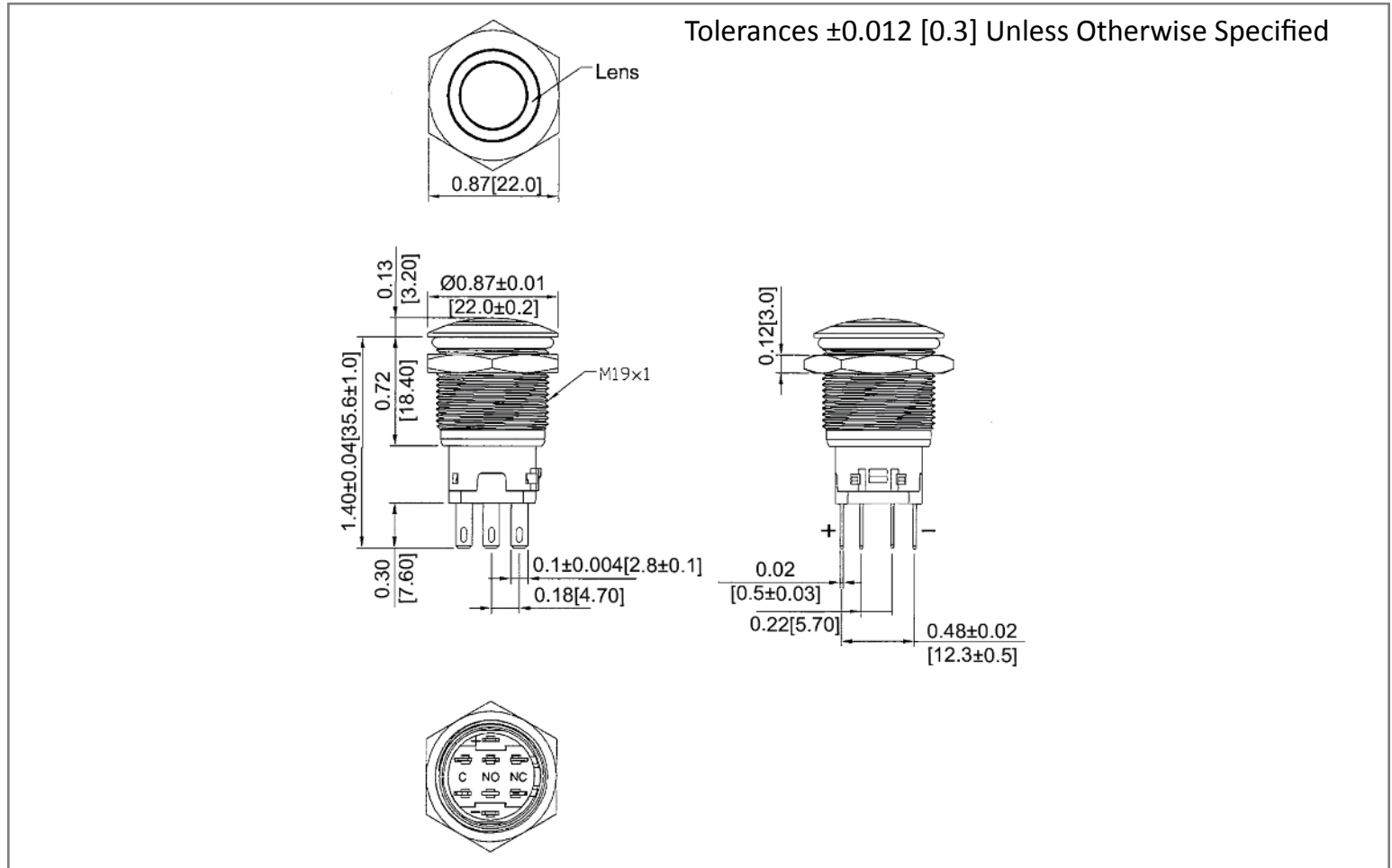
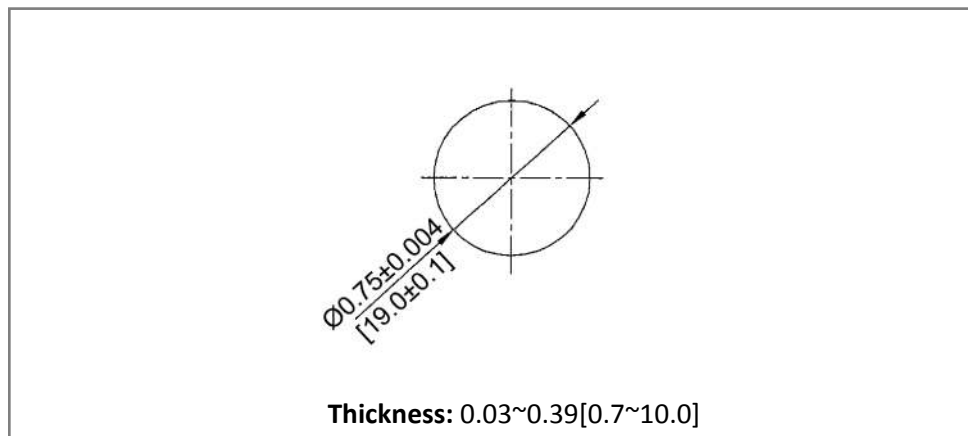


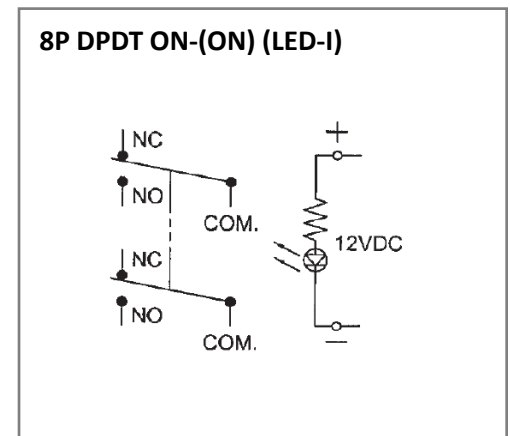
## Mechanical Dimensions: Inches [mm]



## Mounting Hole



## Circuit Diagram



## Electrical Specifications

<b>Rating</b>	10A 14V DC
<b>Contact Resistance</b>	50m ohm Max.
<b>Insulation Resistance</b>	DC 500V 100M ohm Min
<b>Dielectric Strength</b>	AC 500V 1 minute
<b>Operation Temperature</b>	-20°C ~ 70°C

## Material Specifications

<b>Frame</b>	SUS304
<b>Lamp</b>	Blue
<b>Actuator</b>	SUS304, LENS Blue Clear, PC
<b>Housing</b>	Black, PA#66
<b>Bottom</b>	Black, PBT+15%GF

**Rev**    **Date of issue**    **Revision Notes**

**Designed**    **Approved**

A	05-18-2021	Initial Drawing	RC	OF
---	------------	-----------------	----	----