

SPECIFICATIONS

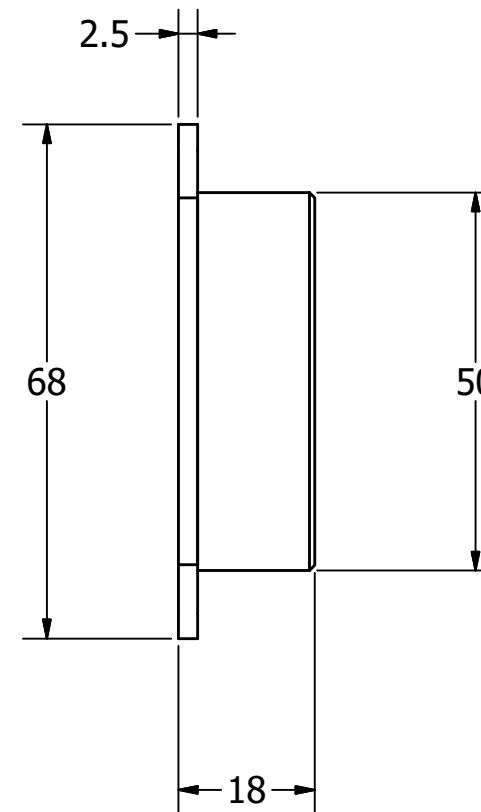
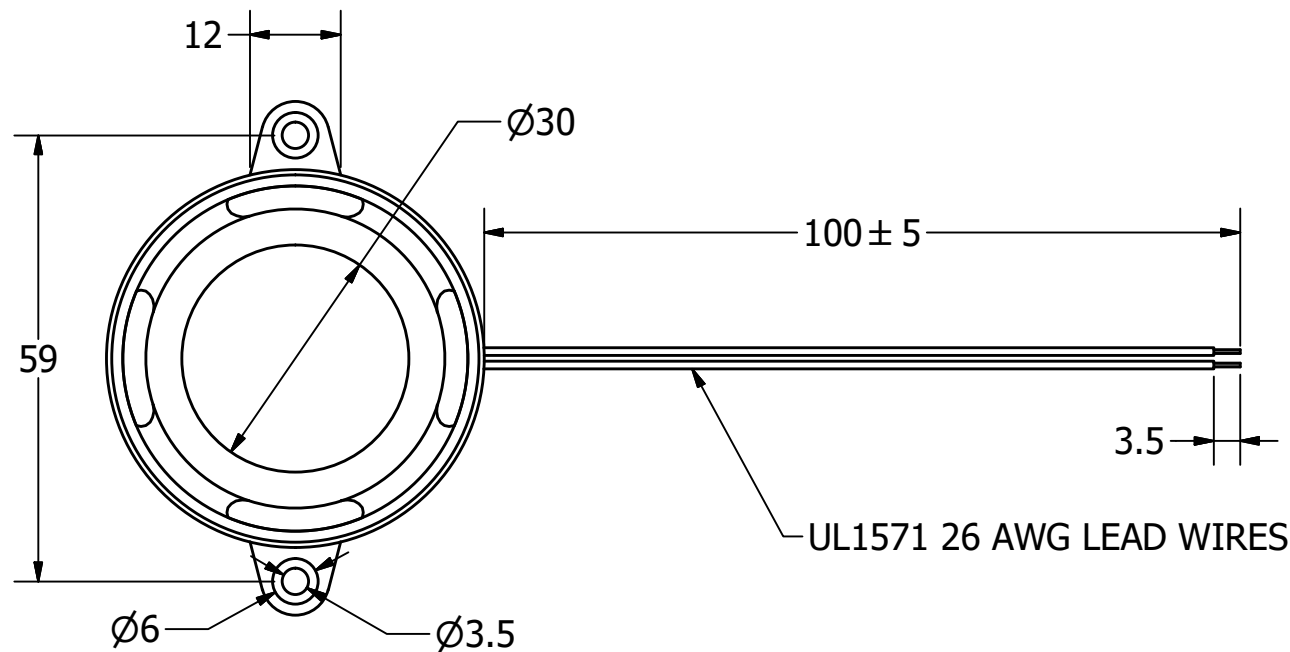
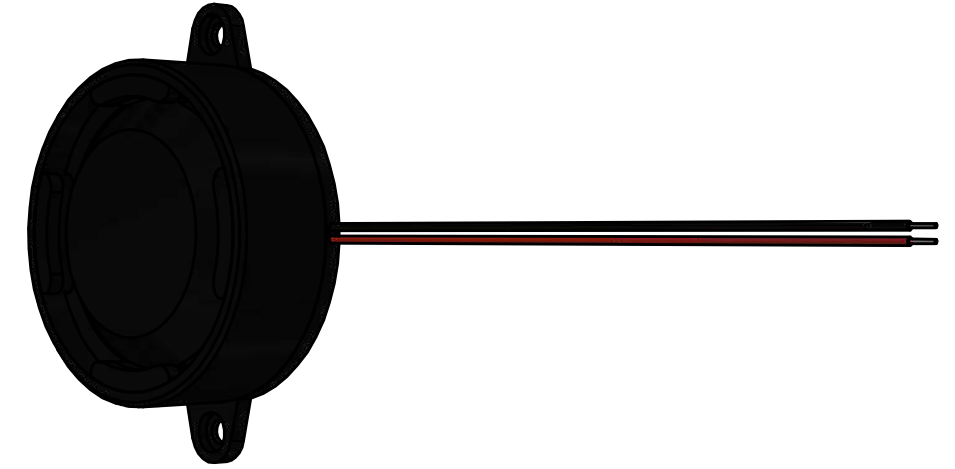
| PARAMETERS | VALUES | UNITS |
|------------------------------|--------------|-------|
| RATED VOLTAGE | 24 | Vp-p |
| OPERATING VOLTAGE RANGE | 1 ~ 50 | Vp-p |
| RATED CURRENT (MAX) | 70 | mA |
| CAPACITANCE | 68,000 ± 30% | pF |
| MIN SPL (3 kHz, 24V @ 30 cm) | 106 | dBA |
| RESONANT FREQUENCY | 3,000 ± 500 | Hz |
| OPERATING TEMPERATURE | -20 ~ +80 | °C |
| STORAGE TEMPERATURE | -30 ~ +80 | °C |
| HOUSING MATERIAL | ABS | - |
| TERMINAL MATERIAL | LEAD WIRE | - |
| WEIGHT | 21.5 | grams |

THIS DOCUMENT CONTAINS DATA PROPRIETARY TO PUI AUDIO, INC. ANY USE OR REPRODUCTION, IN ANY FORM, WITHOUT PRIOR WRITTEN PERMISSION OF PUI AUDIO, INC. IS PROHIBITED.

©2010, PUI AUDIO Inc.

REVISION HISTORY

| LTR | DESCRIPTION | DATE | APPROVED |
|-----|--|------------|----------|
| - | RELEASED FROM ENGINEERING | 06/09/2017 | |
| A | CORRECTION ON RATED CURRENT, MAX VOLTAGE | 09/06/2019 | ML |



NOTES:

1. ALL DIMENSIONS ARE IN MILLIMETERS.
2. SPECIFICATIONS SUBJECT TO CHANGE OR WITHDRAWL WITHOUT NOTICE.
3. THIS PART IS RoHS 2011/65/EU COMPLIANT.

| | | | | | | | | |
|--|-------------------|-------------|----------|-----------------------------|----------|-------------|----------------------------|------------|
| UNLESS OTHERWISE SPECIFIED: DIMENSIONS ARE IN MILLIMETERS, TOLERANCES ARE ±0.5 AND ANGLES ARE ±3°. | SIZE A3 | Designed by | Date | Checked by | Date | Approved by | Date | Drawn Date |
| | | M.V. | 6/9/2017 | M.V. | 6/9/2017 | B.R. | 6/9/2017 | 6/9/2017 |
| AT-5030-TF-2-LW100-R.idw | | | | AT-5030-TF-2-LW100-R | | | Edition: - Sheet: 1 / 1 | |
| PIEZO TRANSDUCER | | | | | | | | |