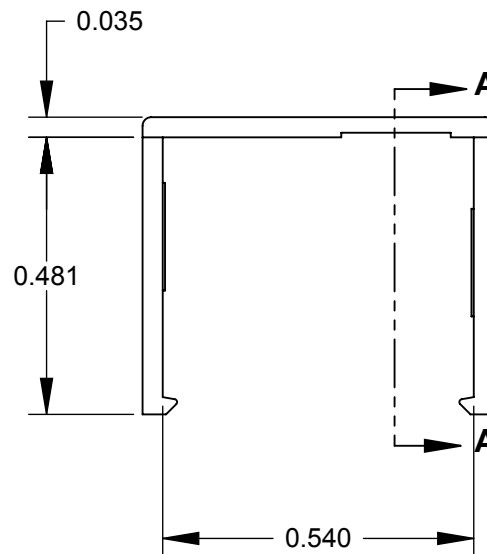


SECTION A-A



NOTES:

- 1. ALL DIMENSIONS ARE REFERENCE.
- 2. MATERIAL - THERMOPLASTIC, BLACK

CUSTOMER DRAWING

REV	ECO NUMBER	DATE	BY	APVD
B	25411	8/26/13	TJK	TJK
REVISIONS				

UNLESS OTHERWISE SPECIFIED

1. ALL DIMENSIONS IN INCHES

- TWO PLACE DECIMALS ±0.02

- THREE PLACE DECIMALS ±0.005

DO NOT SCALE DRAWING

THIS DRAWING DESCRIBES A DESIGN CONSIDERED PROPRIETARY IN NATURE, DEVELOPED AND MANUFACTURED BY SWITCHCRAFT INC. AND IS RELEASED ON A CONFIDENTIAL BASIS FOR IDENTIFICATION PURPOSES ONLY.									
SIZE		WIDTH		MULT		LBS/M		TEMPER	
FINISH						MATERIAL			
SPEC No.						SPEC No.			
FIRST USED ON				SCALE					
				3:1					
DATE DRAWN	BY	CHKD	APVD						
04-13-06	MK	MK	EB						
		04-13-06	04-18-06						
NAME						PART No.		REV	
COVER, SN49 JACKS						P2994		B	

SolidWorks CAD File

