

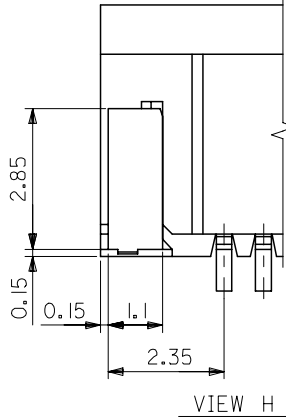
注記 NOTES

- △ ハウジングのφから隣接するターミナルのφ迄の位置を示す。
SHOW POSITION FROM φ OF HOUSING TO φ OF ADJACENT TERMINALS.
- △ 4~10極に適用。
APPLICABLE TO 4-10 CIRCUIT.
- 5. 本製品はハウジングにフラックス付着防止液を塗布しております。
THIS PRODUCT IS FLUX ANTI-WICKING FLUID SHOULD BE APPLIED TO THE HOUSING.
- 6. 本製品は52557-**-20の鉛フリー品である。
THIS PRODUCT IS LEAD FREE OF 52557-**-20.

注記 NOTES

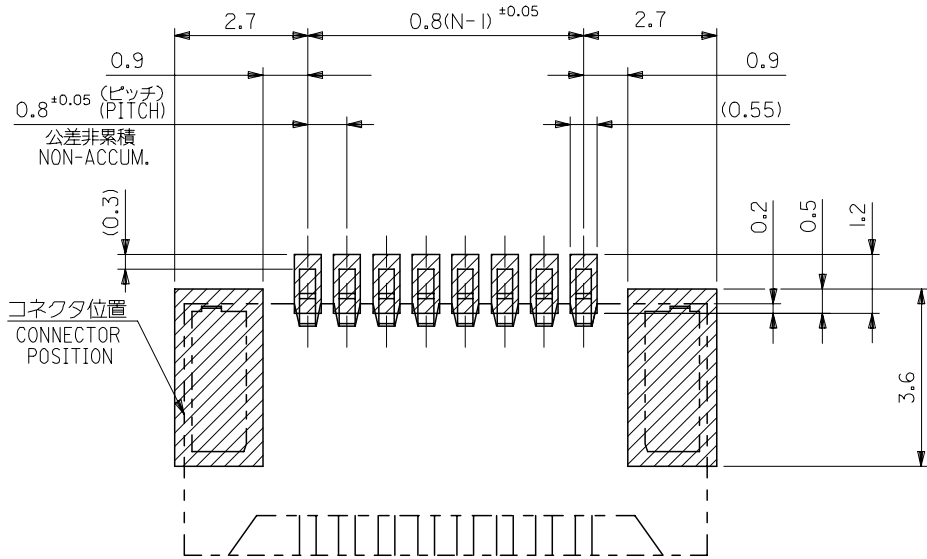
1. 使用材料 MATERIAL
- | | |
|-----------------------|--------------------------------|
| ハウジング : PPS、UL94V-0 | HOUSING : PPS, UL94V-0 |
| ターミナル : リン青銅 (t=0.32) | TERMINAL : PHOSPHOR BRONZE |
| メッキ : 錫ビスマスメッキ | PLATING : TIN-BISMUTH |
| 金具 : リン青銅 (t=0.2) | FITTING NAIL : PHOSPHOR BRONZE |
| メッキ : 錫メッキ | PLATING : TIN PLATED |

△ ソルダータール半田付け面のズレ量及び、
金具半田付け面のズレ量は、基準面 [G] に対し
上方向に0.05MAX。
下方向に0.15MAX.とする。
MISALIGNMENT OF SOLDER TAILS AND
FITTING NAILS FROM [G]
UPPER DIRECTION : 0.05MAX.
LOWER DIRECTION : 0.15MAX.

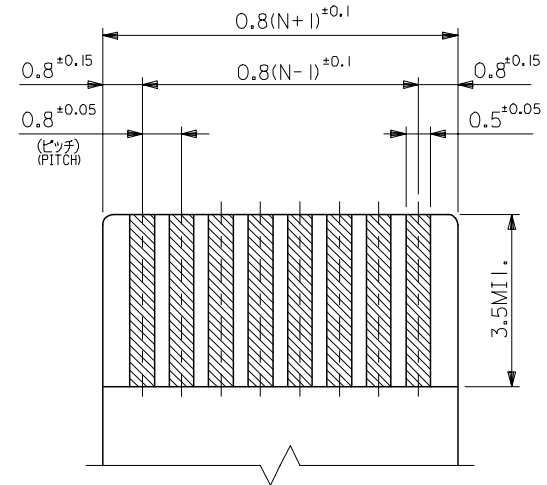


52557-**-29	0.4	20.2	16.82	15.2	52557-2029	20
	0.4	18.6	15.22	13.6	-1829	18
	0.4	17.0	13.62	12.0	-1629	16
	0.8	16.2	12.82	11.2	-1529	15
	0.4	15.4	12.02	10.4	-1429	14
	0.8	14.6	11.22	9.6	-1329	13
	0.4	13.8	10.42	8.8	-1229	12
	0.8	13.0	9.62	8.0	-1129	11
	0.4	12.2	8.82	7.2	-1029	10
	0.8	11.4	8.02	6.4	-0929	9
	0.4	10.6	7.22	5.6	-0829	8
	0.8	9.8	6.42	4.8	-0729	7
	0.4	9.0	5.62	4.0	-0629	6
	0.8	8.2	4.82	3.2	-0529	5
	0.4	7.4	4.02	2.4	52557-0429	4

RELEASED EC NO: J2005-2928 DRAWN: SUZUKI CHKD: KTOYODA APPR: NUKITA	2005/04/07 2005/04/08 2005/04/08	GENERAL TOLERANCES (UNLESS SPECIFIED)		DIMENSION STYLE MM ONLY		SCALE ---	DESIGN UNITS METRIC	THIRD ANGLE PROJECTION				
	10 UNDER ±0.2		10 OVER 30 UNDER ±0.25		30 OVER ±0.3		ANGULAR ±3 °		DRAFT WHERE APPLICABLE MUST REMAIN WITHIN DIMENSIONS			
	DRAWN BY ESUZUKI		DATE 05/04/01		CHECKED BY KTOYODA		DATE 05/04/01		APPROVED BY NUKITA		DATE 05/04/01	
	MATERIAL NO. SEE CHART		DOCUMENT NO. SD-52557-011		SHEET NO. 1 OF 2		TITLE 0.8 FFC CONN NON ZIF SMT -LEAD FREE-		MOLEX INCORPORATED		THIS DRAWING CONTAINS INFORMATION THAT IS PROPRIETARY TO MOLEX INCORPORATED AND SHOULD NOT BE USED WITHOUT WRITTEN PERMISSION	



参考基板レイアウト (マウント面)
P.C.B. PATTERN LAYOUT (REF.) (MOUNT AREA)



適合FFC/FPC推奨寸法
RECOMMENDED APPLICABLE
FFC/FPC LAYOUT
(仕上がり厚さ: 0.3 ± 0.05)
(THICKNESS: 0.3 ± 0.05)

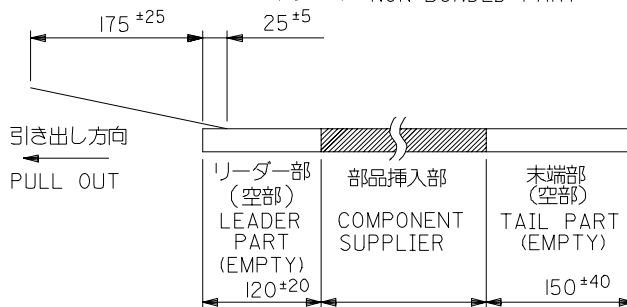
MODEL NO. 52557-***29

RELEASED EC NO: J2005-2928 DRAWN: ESUZUKI 2005/04/07 CHKD: KTOYODA 2005/04/08 APPR: NUKITA 2005/04/08	GENERAL TOLERANCES (UNLESS SPECIFIED)		DIMENSION STYLE	SCALE	DESIGN UNITS	THIRD ANGLE PROJECTION
			MM ONLY	---	METRIC	
	10 UNDER	±0.2	DRAWN BY	DATE	TITLE	0.8 FFC CONN NON ZIF SMT -LEAD FREE-
	10 OVER 30 UNDER	±0.25	ESUZUKI	05/04/01	MOLEX INCORPORATED	
	30 OVER	±0.3	CHECKED BY	DATE		
ANGULAR	±3 °	KTOYODA	05/04/01	APPROVED BY	DATE	
DRAFT WHERE APPLICABLE MUST REMAIN WITHIN DIMENSIONS		NUKITA	05/04/01	MATERIAL NO.	DOCUMENT NO.	SHEET NO.
		SEE CHART		SD-52557-011		2 OF 2
THIS DRAWING CONTAINS INFORMATION THAT IS PROPRIETARY TO MOLEX INCORPORATED AND SHOULD NOT BE USED WITHOUT WRITTEN PERMISSION						

注記 NOTES

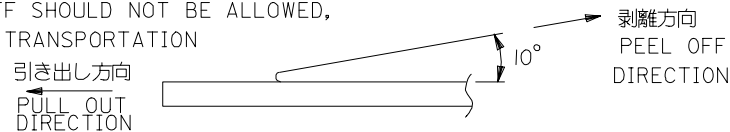
- 1. 梱包数量: 1000個/リール NUMBER OF CONNECTORS: 1000PCS/REEL
- 2. リードテープ長さ LEAD TAPE LENGTH

トップテープ TOP TAPE
 リーダー部 LEADER PART 未接着部 NON-BONDED PART



- 3. トップテープの剥離強度: (剥離方向は下図参照)
 0.1~1.3N {10~130gf} 尚、本規格値は、出荷時に適用。
 (但し、輸送時に剥離が発生しない事。)

PEELING OFF FORCE OF TOP TAPE
 0.1~1.3N {10~130gf} (PEELING DIRECTION AS SHOWN IN FOLLOWING FIG.)
 THIS REQUIREMENT SHOULD BE APPLIED AT SHIPMENT
 PEEL OFF SHOULD NOT BE ALLOWED,
 DURING TRANSPORTATION

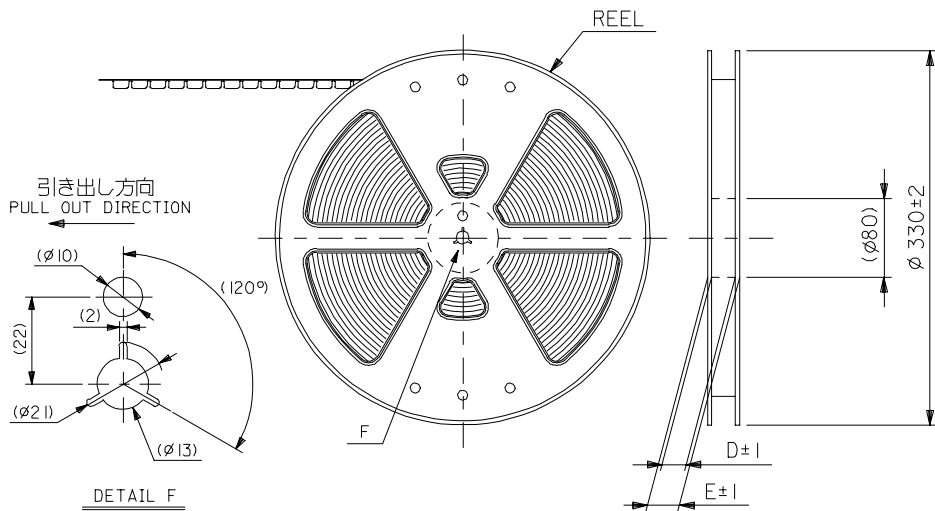


- 4. 材料 キャリアテープ: ポリプロピレン (PP)
 トップテープ: PET, PE, PEF
 リール: ポリスチレン (PS) <リサイクル材を含む>

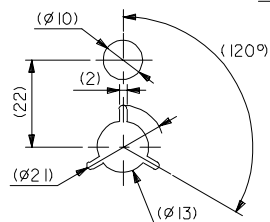
MATERIAL CARRIER TAPE: POLYPROPYLENE
 TOP TAPE: PET, PE, PEF
 REEL: POLYSTYRENE (PS)
 <RECYCLE MATERIAL CONTAINED>

- 5. 本製品は 52557-***91 の鉛フリー品である。
 THIS PRODUCT IS LEAD FREE OF 52557-***91.

52557-***91
 MODEL NO.

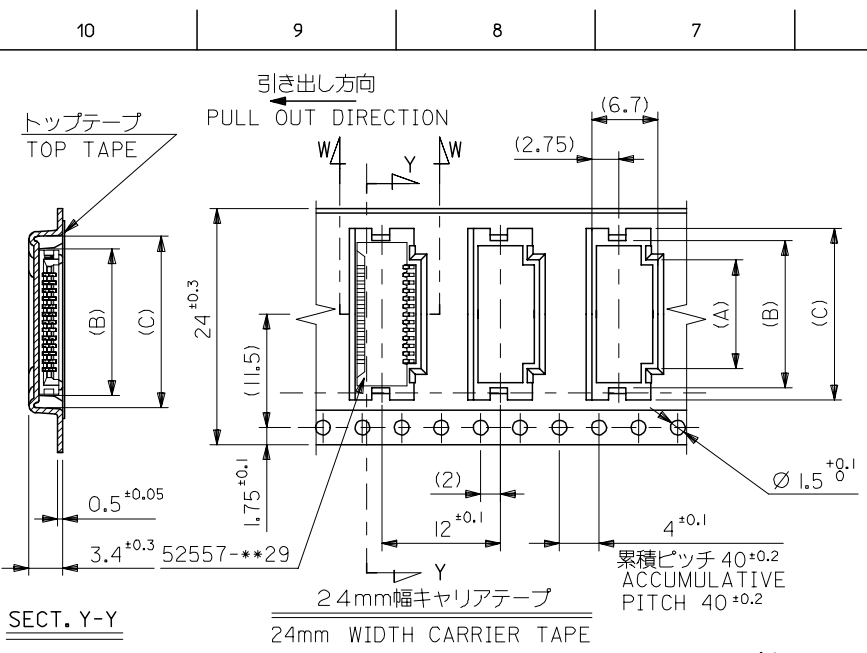


引き出し方向
 PULL OUT DIRECTION



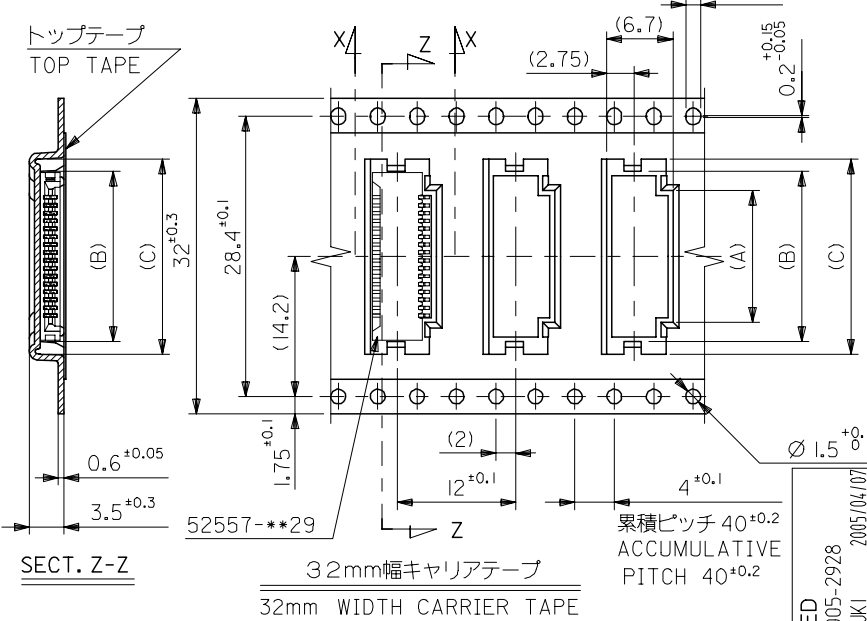
DETAIL F

RELEASED EC NO: J2005-2928 DRAWN: ESUZUKI 2005/04/07 CHYKD: KTOYODA 2005/04/08 APPR: NUKITA 2005/04/08 REV: 0	GENERAL TOLERANCES (UNLESS SPECIFIED)		DIMENSION STYLE MM ONLY		SCALE ---	DESIGN UNITS METRIC	THIRD ANGLE PROJECTION
	10 UNDER	± ---	DRAWN BY ESUZUKI	DATE 05/04/01	TITLE 0.8 FFC CONN NON ZIF ASSY SMT EMBSTP PKG -LEAD FREE-		
	10 OVER 30 UNDER	± ---	CHECKED BY KTOYODA	DATE 05/04/01	MOLEX INCORPORATED		
	30 OVER	± ---	APPROVED BY NUKITA	DATE 05/04/01	DOCUMENT NO. SD-52557-012		
	ANGULAR ± --- °		MATERIAL NO. SEE CHART		SHEET NO. 1 OF 3		
DRAFT WHERE APPLICABLE MUST REMAIN WITHIN DIMENSIONS		SIZE A3		THIS DRAWING CONTAINS INFORMATION THAT IS PROPRIETARY TO MOLEX INCORPORATED AND SHOULD NOT BE USED WITHOUT WRITTEN PERMISSION			



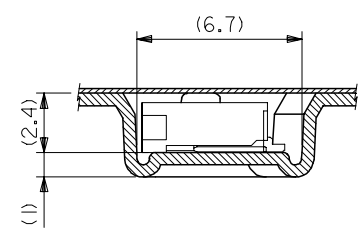
SECT. Y-Y

24mm 幅キャリアテープ
24mm WIDTH CARRIER TAPE

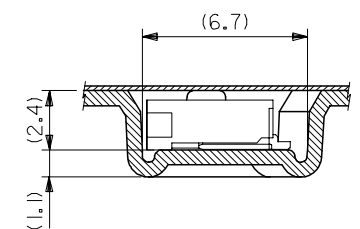


SECT. Z-Z

32mm 幅キャリアテープ
32mm WIDTH CARRIER TAPE



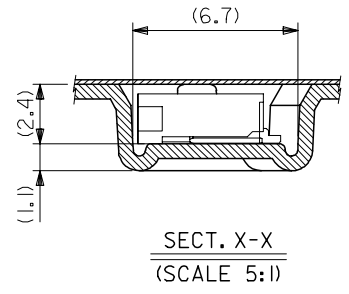
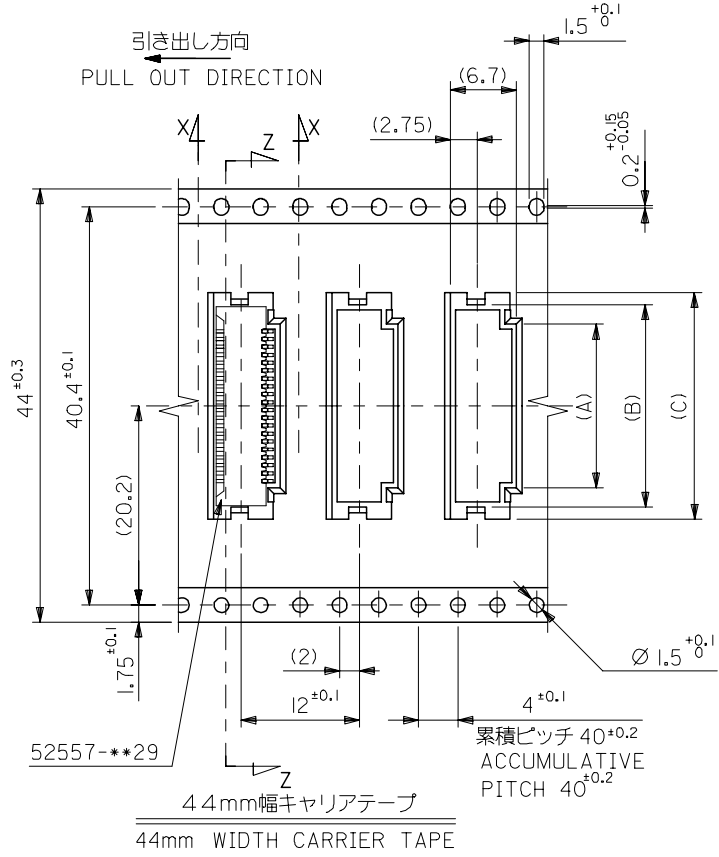
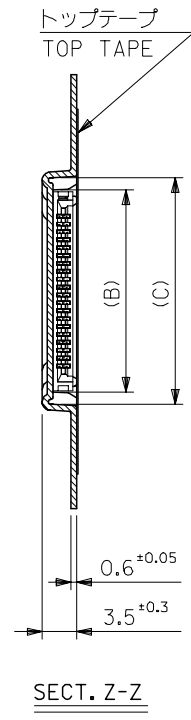
SECT. W-W
(SCALE 5:1)



SECT. X-X
(SCALE 5:1)

32	37.4	33.4	21.4	18.9	15.0	52557-1871	18
			19.8	17.3	13.4	-1671	16
			19.0	16.5	12.6	-1571	15
			18.2	15.7	11.8	-1471	14
24	29.4	25.4	17.4	14.9	11.0	-1371	13
			16.6	14.1	10.2	-1271	12
			15.8	13.3	9.4	-1171	11
			15.0	12.5	8.6	-1071	10
			14.2	11.7	7.8	-0971	9
			13.4	10.9	7.0	-0871	8
			12.6	10.1	6.2	-0771	7
			11.8	9.3	5.4	-0671	6
11.0	8.5	4.6	-0571	5			
10.2	7.7	3.8	52557-0471	4			

MODEL NO.	52557-***71	キャリアテープ幅 CARRIER TAPE WIDTH	E	D	(C)	(B)	(A)	MATERIAL NO.	極数 CIRCUIT
GENERAL TOLERANCES (UNLESS SPECIFIED)	DIMENSION STYLE MM ONLY		SCALE ---	DESIGN UNITS METRIC	THIRD ANGLE PROJECTION				
10 UNDER	± ---	DRAWN BY ESUZUKI	DATE 05/04/01	TITLE 0.8 FFC CONN NON ZIF ASSY SMT EMBSTP PKG -LEAD FREE-					
10 OVER 30 UNDER	± ---	CHECKED BY KTOYODA	DATE 05/04/01	MOLEX INCORPORATED					
30 OVER	± ---	APPROVED BY NUKITA	DATE 05/04/01	DOCUMENT NO. SD-52557-012					
ANGULAR	± --- °	MATERIAL NO.	SEE CHART	SHEET NO. 2 OF 3					
DRAFT WHERE APPLICABLE MUST REMAIN WITHIN DIMENSIONS		THIS DRAWING CONTAINS INFORMATION THAT IS PROPRIETARY TO MOLEX INCORPORATED AND SHOULD NOT BE USED WITHOUT WRITTEN PERMISSION							



44	49.4	45.4	23.0	20.5	16.6	52557-2071	20
キャリアテープ幅 CARRIER TAPE WIDTH	E	D	(C)	(B)	(A)	MATERIAL NO.	極数 CIRCUIT
MODEL NO. 52557-***71	GENERAL TOLERANCES (UNLESS SPECIFIED)		DIMENSION STYLE MM ONLY		SCALE ---	DESIGN UNITS METRIC	THIRD ANGLE PROJECTION
RELEASED	10 UNDER	± ---	DRAWN BY ESUZUKI	DATE 05/04/01	TITLE 0.8 FFC CONN NON ZIF ASSY SMT EMBSTP PKG -LEAD FREE-		
EC NO: J2005-2928	10 OVER 30 UNDER	± ---	CHECKED BY KTOYODA	DATE 05/04/01	MOLEX INCORPORATED		
DRW:ESUZUKI 2005/04/07	30 OVER	± ---	APPROVED BY NUKITA	DATE 05/04/01	DOCUMENT NO. SD-52557-012		
CHKD:KTOYODA 2005/04/08	ANGULAR	± --- °	MATERIAL NO.	SEE CHART	SHEET NO. 3 OF 3		
APP:NUKITA 2005/04/08	DRAFT WHERE APPLICABLE MUST REMAIN WITHIN DIMENSIONS		SIZE A3	THIS DRAWING CONTAINS INFORMATION THAT IS PROPRIETARY TO MOLEX INCORPORATED AND SHOULD NOT BE USED WITHOUT WRITTEN PERMISSION			