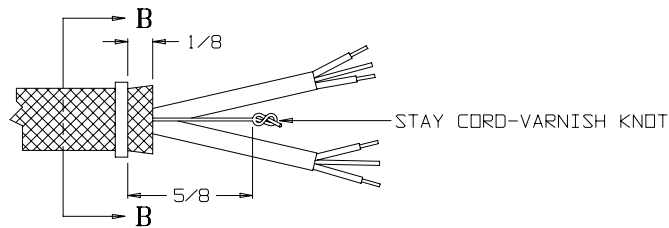
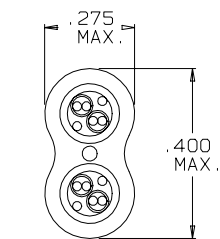
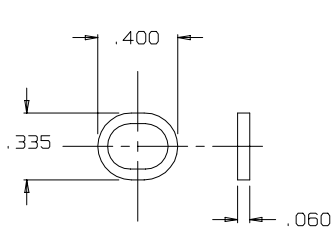
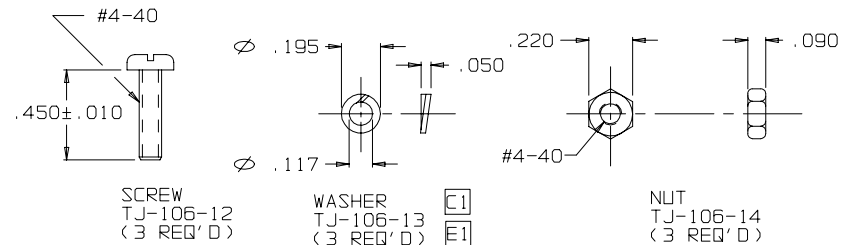
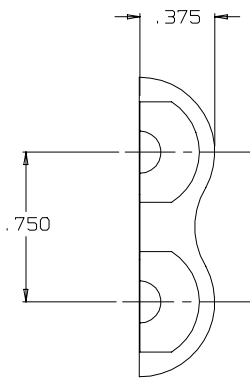
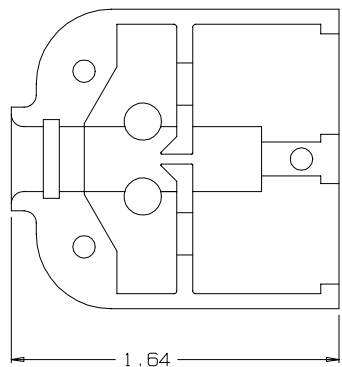
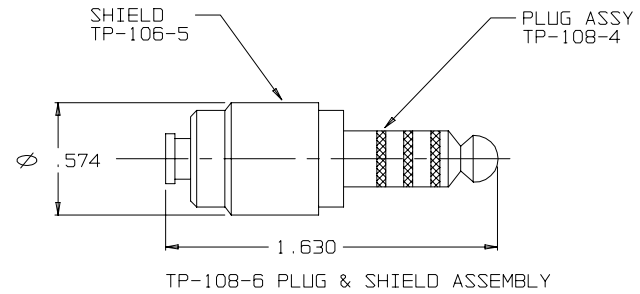
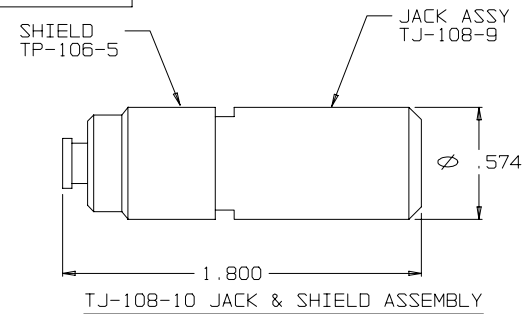
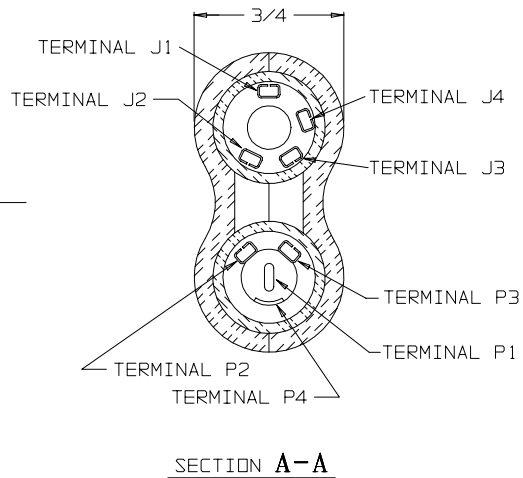
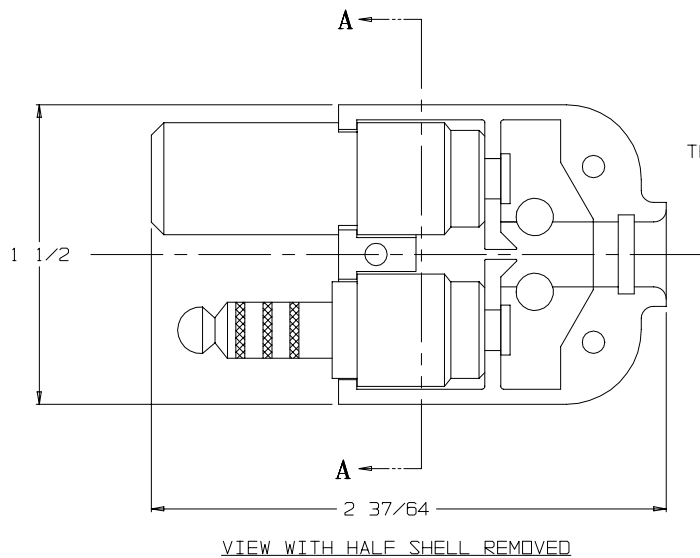


C TP-108



- F1** NOTES:
 1) ALL NICKEL PLATING SHALL BE OF SUFFICIENT THICKNESS TO PROVIDE CORROSION PROTECTION. (REF QQ-N-290-A, CLASS 1)
 2) WIRING CALL OUTS ARE FOR REF ONLY

THIS DOCUMENT CONTAINS PROPRIETARY INFORMATION OF NEXUS, INCORPORATED AND SUCH INFORMATION MAY NOT BE DISCLOSED TO OTHERS FOR ANY PURPOSE OR USED FOR ANY PURPOSE WITHOUT THE WRITTEN CONSENT OF NEXUS.

RING, STRAIN RELIEF
TJ-106-10A
(1 REQ'D)

SECTION B-B
STRAIN RELIEF
CLAMP TJ-106-10A
AFTER CRIMPING
SCALE: 4:1

DWN. BY	IDH	DATE	MATERIAL	SEE FIELD OF DRAWING
CHECKED BY	L SMITH	DATE 10/11/95	FINISH	N/A
APPR. BY		DATE	WEIGHT	SCALE 2:1
UNLESS OTHERWISE SPECIFIED DIMENSIONS ARE IN INCHES TOLERANCES ON FRACTIONS DECIMALS ANGLES			TITLE TP-108 PLUG-TELEPHONE-BIAXIAL SHIELDED (8) CONDUCTOR	
LET.	REVISION	CN #	DATE	CHK.
			± 1/64	± .005
DO NOT SCALE DWG.			SHEET 1	OF 1
C			NEXUS STAMFORD, CONN	
			SIZE DWG. NO.	
			TP-108	