

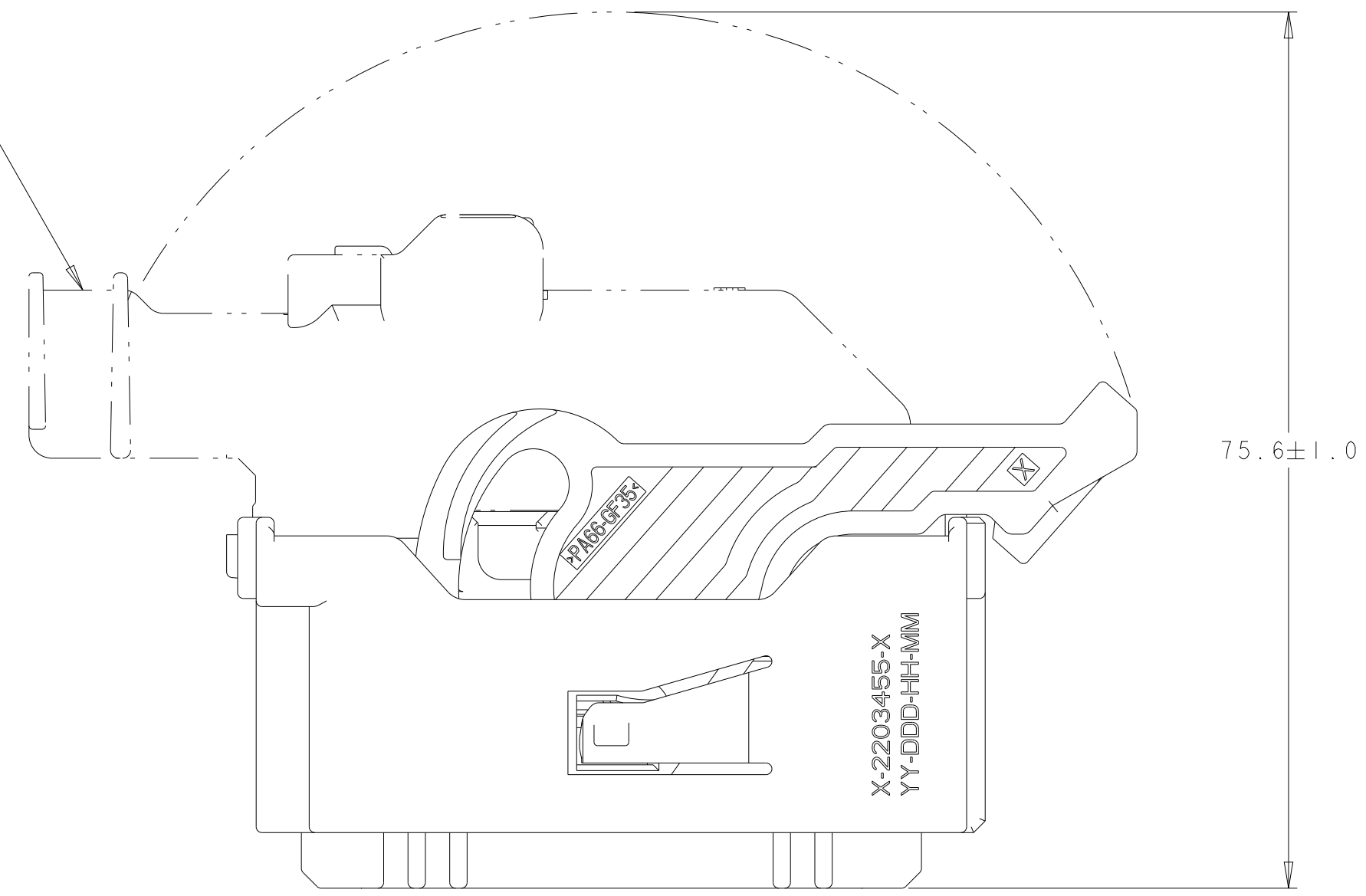
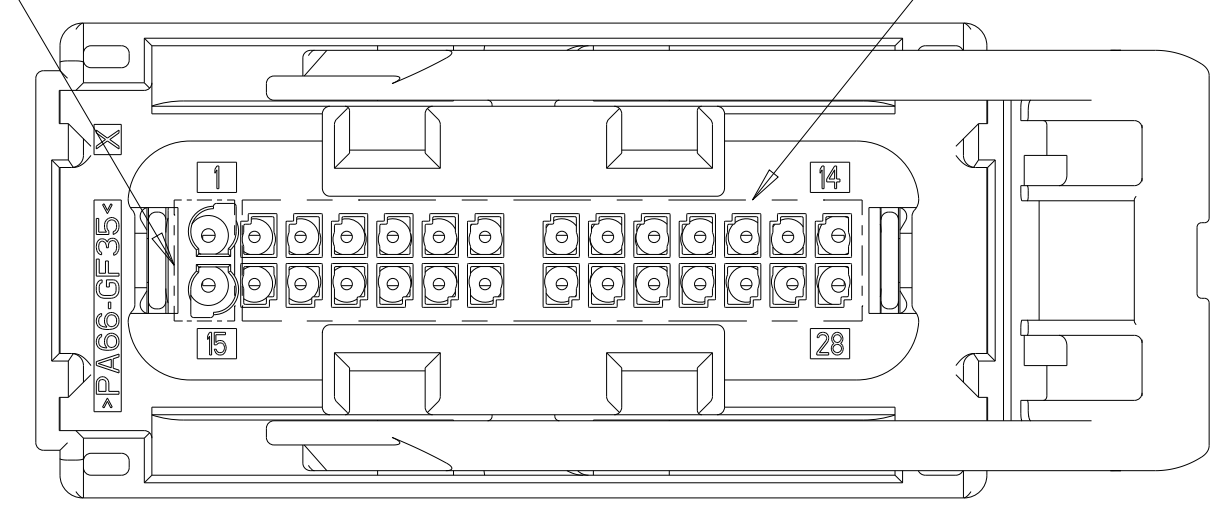
REVISIONS					
P	LTN	DESCRIPTION	DATE	DMN	APVD
A3		REVISED PER ECO-17-013738	20SEP2017	JMS	GM
A4		REVISED PER ECO-18-007753	17MAY2018	JMS	GM
A5		REVISED PER ECO-19-001039	22JAN2019	JMS	GM
A6		REVISED PER ECN-22-135273	25JAN2022	CN	JV

WIRE DRESS EXIT- LEFT

WIRE DRESS ASSEMBLY, 2203459-1. IS REQUIRED AND SOLD SEPARATELY

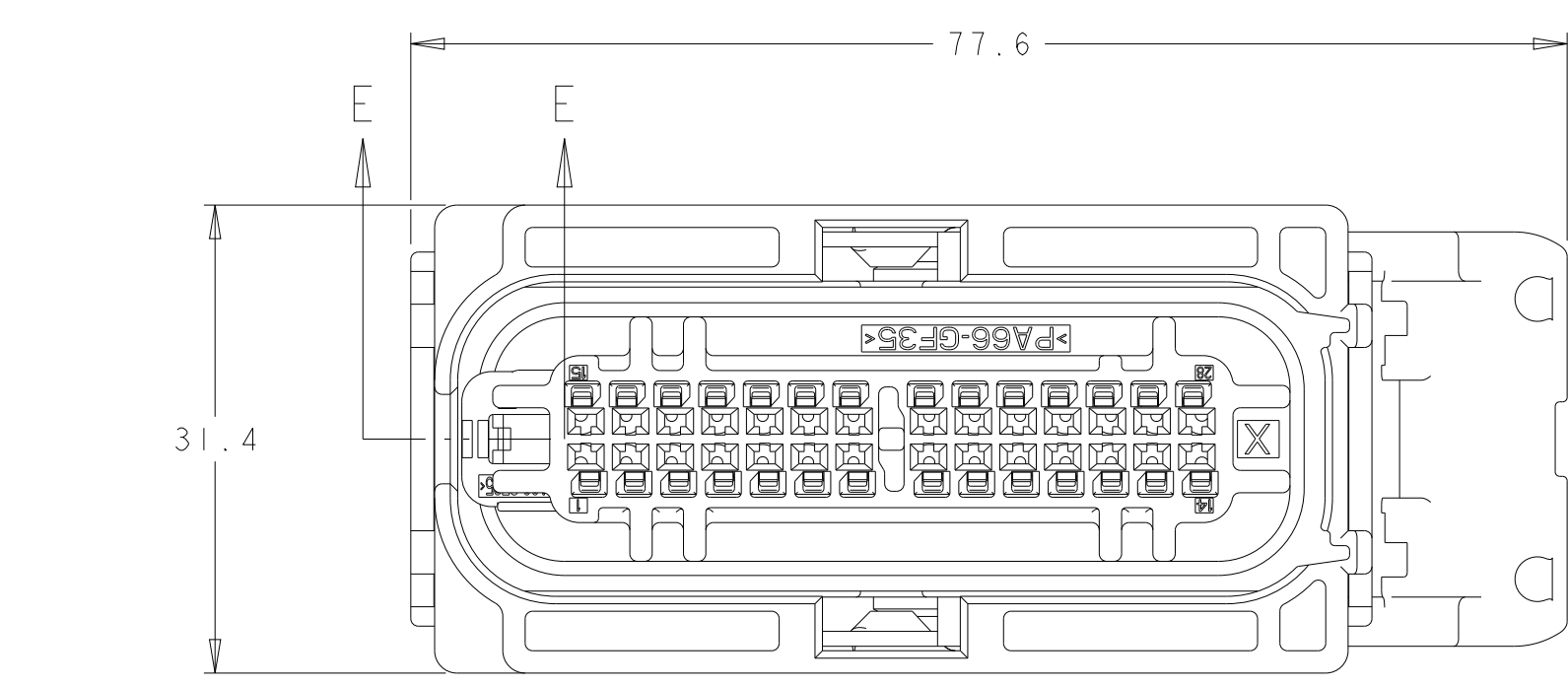
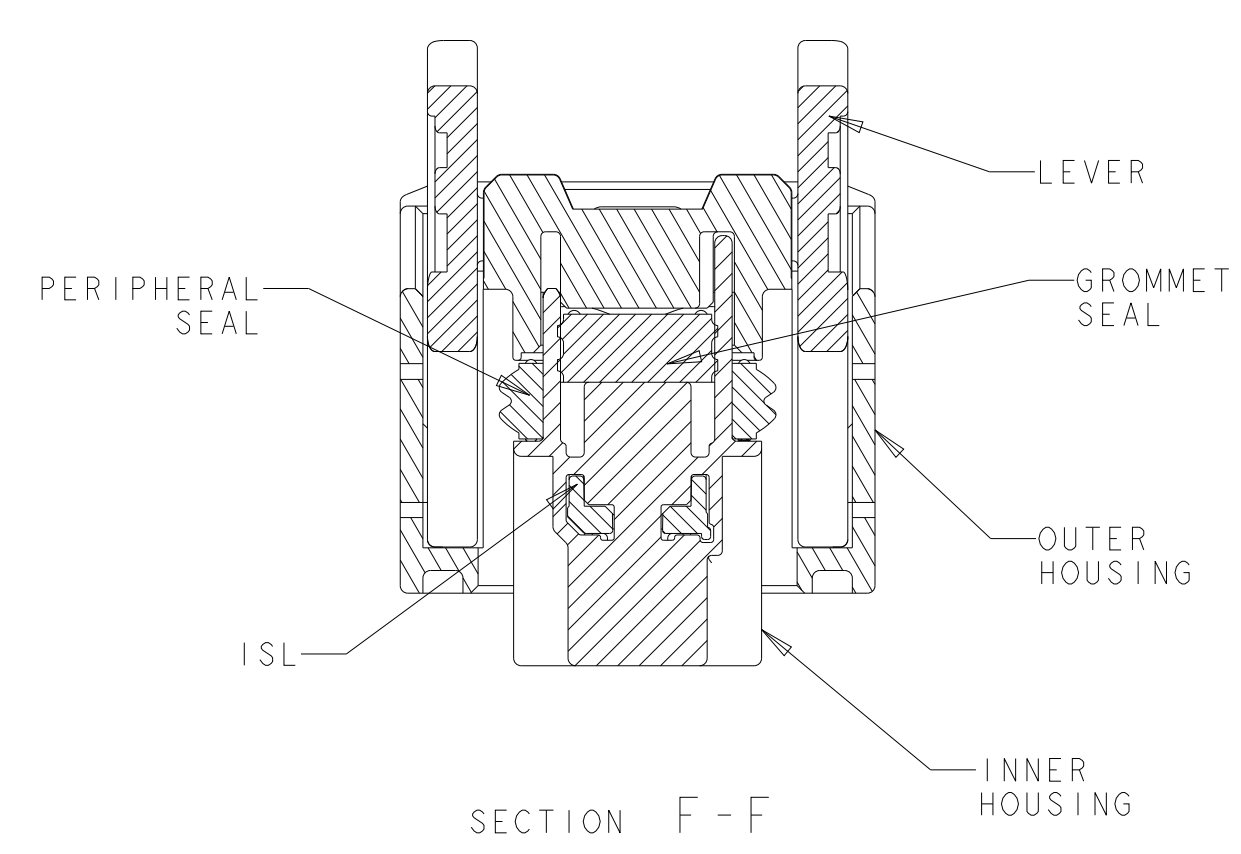
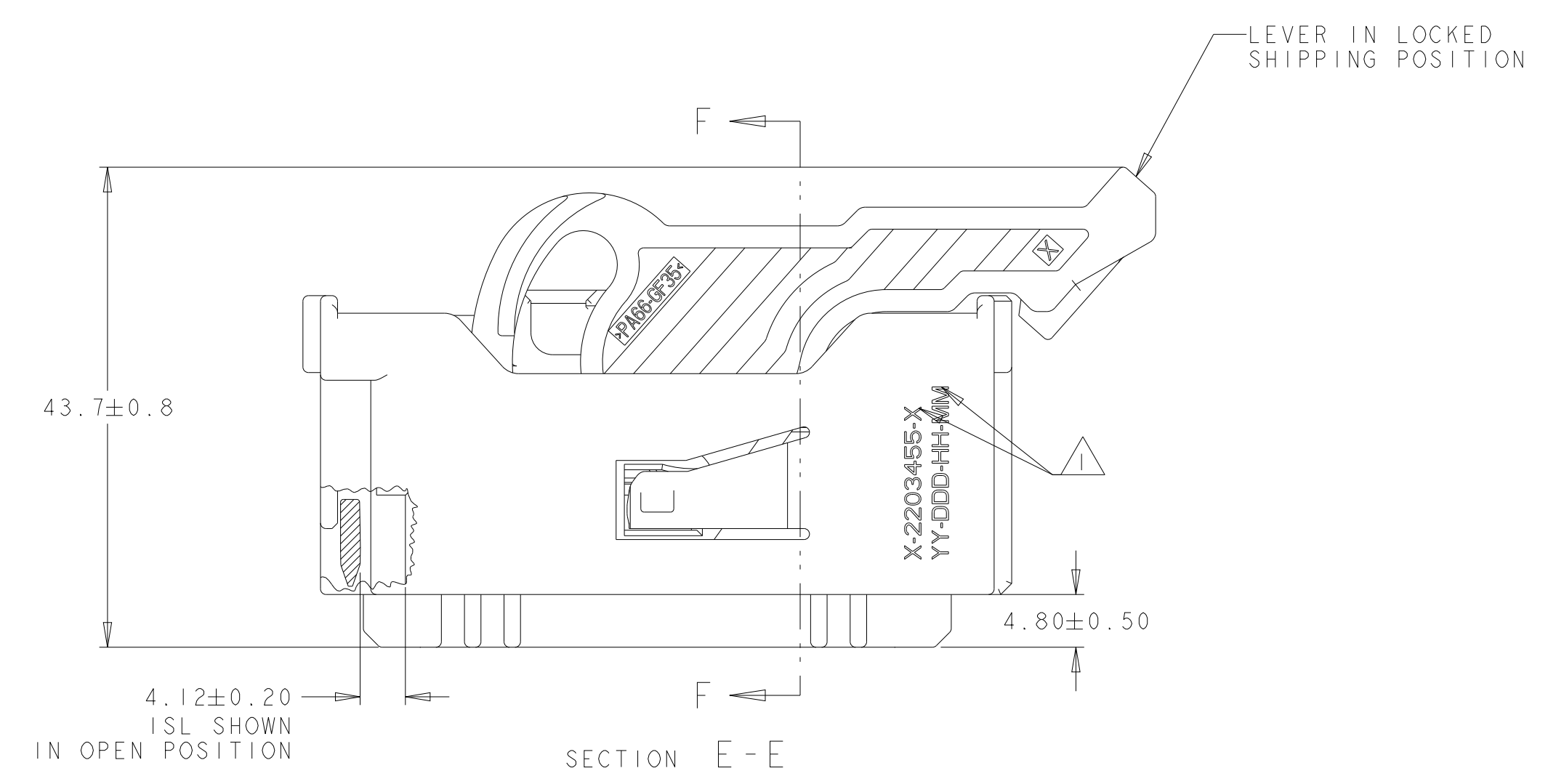
2 CIRCUITS ACCEPT WIRE SIZE 0.5-1.5 SQ.MM. (INSULATION OD 1.4-2.4mm)

26 CIRCUITS ACCEPT WIRE SIZE 0.5-0.75 SQ.MM. (INSULATION OD 1.4-1.9mm)

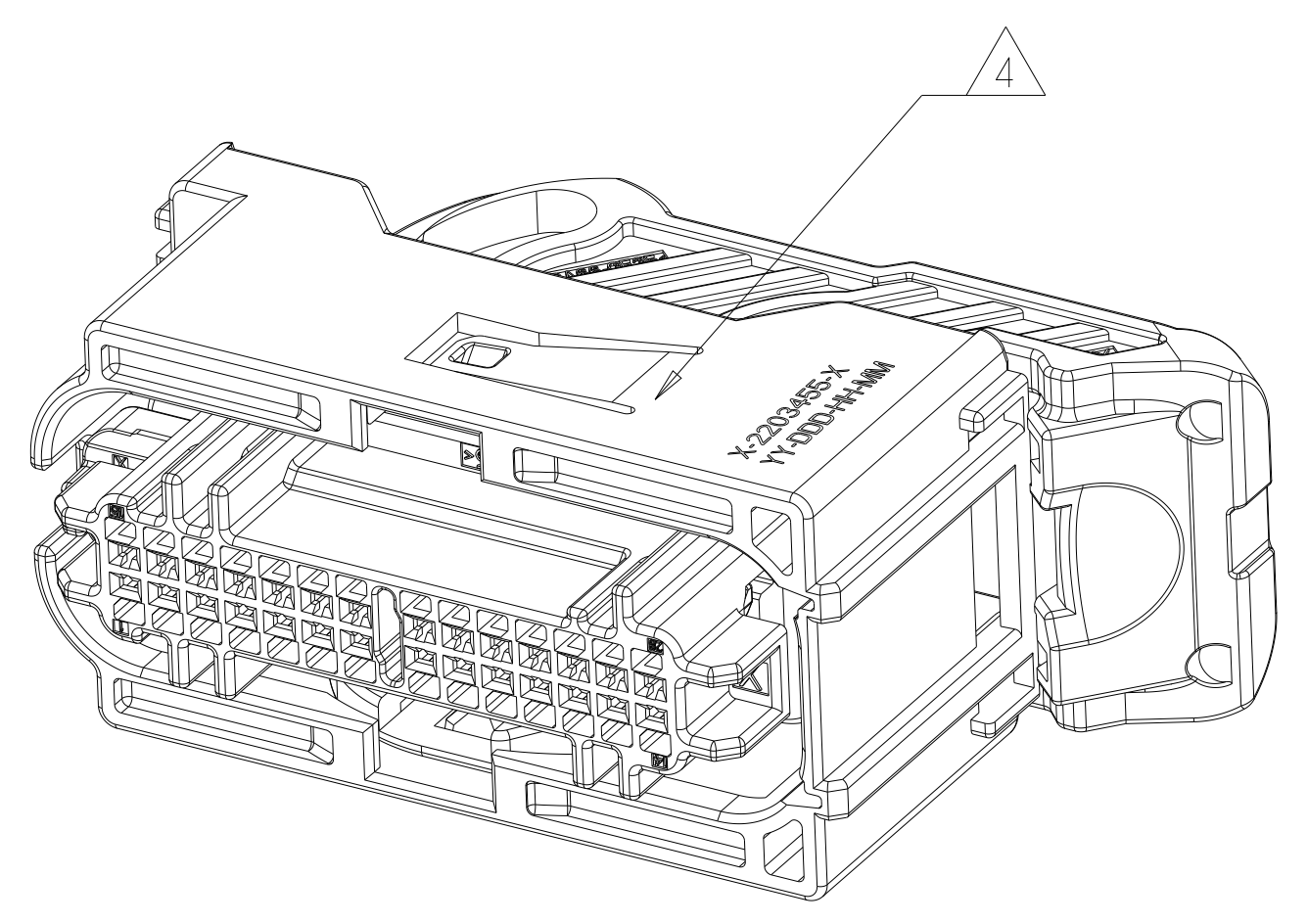


PLUG ASSEMBLY SHOWN WITH WIRE DRESS COVER INSTALLED

- △ MATERIALS:  
 OUTER HOUSING - NYLON 6/6, 35% GLASS-FILLED, BLACK  
 INNER HOUSING - NYLON 6/6, 35% GLASS-FILLED, BLACK  
 ISL - NYLON 6/6, 35% GLASS-FILLED, BEIGE  
 LEVER - NYLON 6/6, 35% GLASS-FILLED, GRAY  
 PERIPHERAL SEAL - SILICONE RUBBER, LIGHT BLUE  
 GROMMET SEAL - SILICONE RUBBER, LIGHT BLUE
- 2. MATING HEADER ASSEMBLY: 2272952-1 (KEY A)
- 3. APPLICABLE MCON TERMINALS (Ag PLATING):  
 1670144-3 (0.5 - 0.75 sq.mm)  
 1452503-3 (1.0 - 1.5 sq.mm)
- △ 4. ASSEMBLY PART NUMBER AND JULIAN DATE CODE LOCATED APPROXIMATELY AS SHOWN.
- 5. SEE SHEET 3 FOR PART NUMBER TABLE WITH KEYING AND CIRCUIT CONFIGURATION OPTIONS.



2203455-1 SHOWN IN GENERAL VIEWS

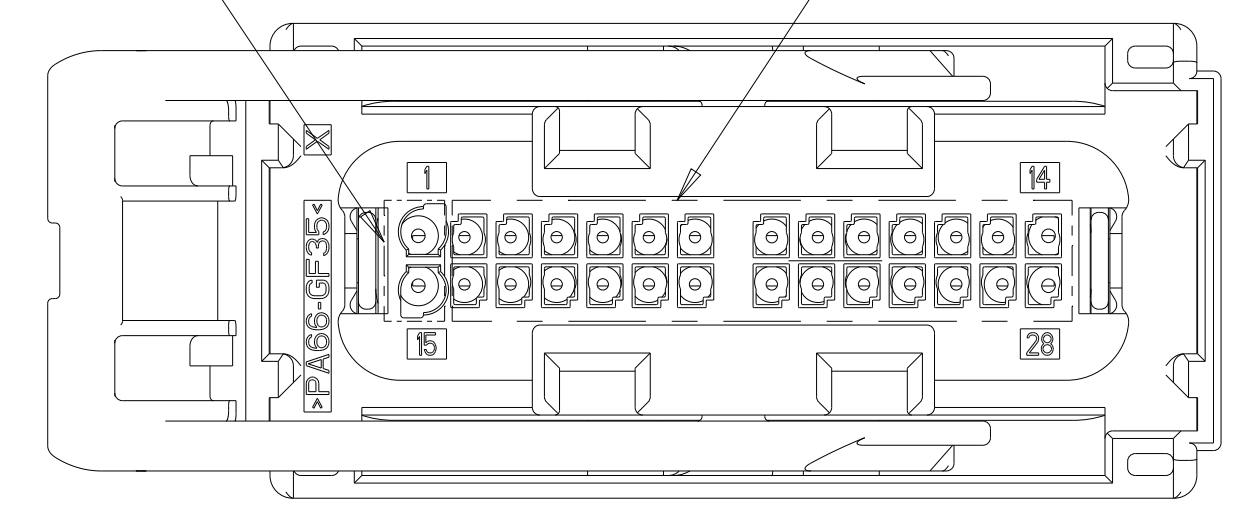


THIS DRAWING IS A CONTROLLED DOCUMENT.		DMN	M. HITCHCOCK	17 JUN 2013	TE Connectivity
DIMENSIONS:		CHK	A. VASBINDER	17 JUN 2013	
mm		APVD	A. VASBINDER	17 JUN 2013	
0 PLC ±0.3 1 PLC ±0.3 2 PLC ±0.10 3 PLC ±0.10 4 PLC ±0.10 ANGLES ±3° FINISH		TOLERANCES UNLESS OTHERWISE SPECIFIED:		NAME	
MATERIAL		PRODUCT SPEC		APPLICATION SPEC	PLUG ASSEMBLY, SEALED, 28 POSITION, GFx TRANS MCON CLEAN BODY
		SIZE		CAGE CODE	DRAWING NO
		A100779		C=2203455	RESTRICTED TO
		CUSTOMER DRAWING		SCALE	2:1 SHEET 1 OF 3 REV A6

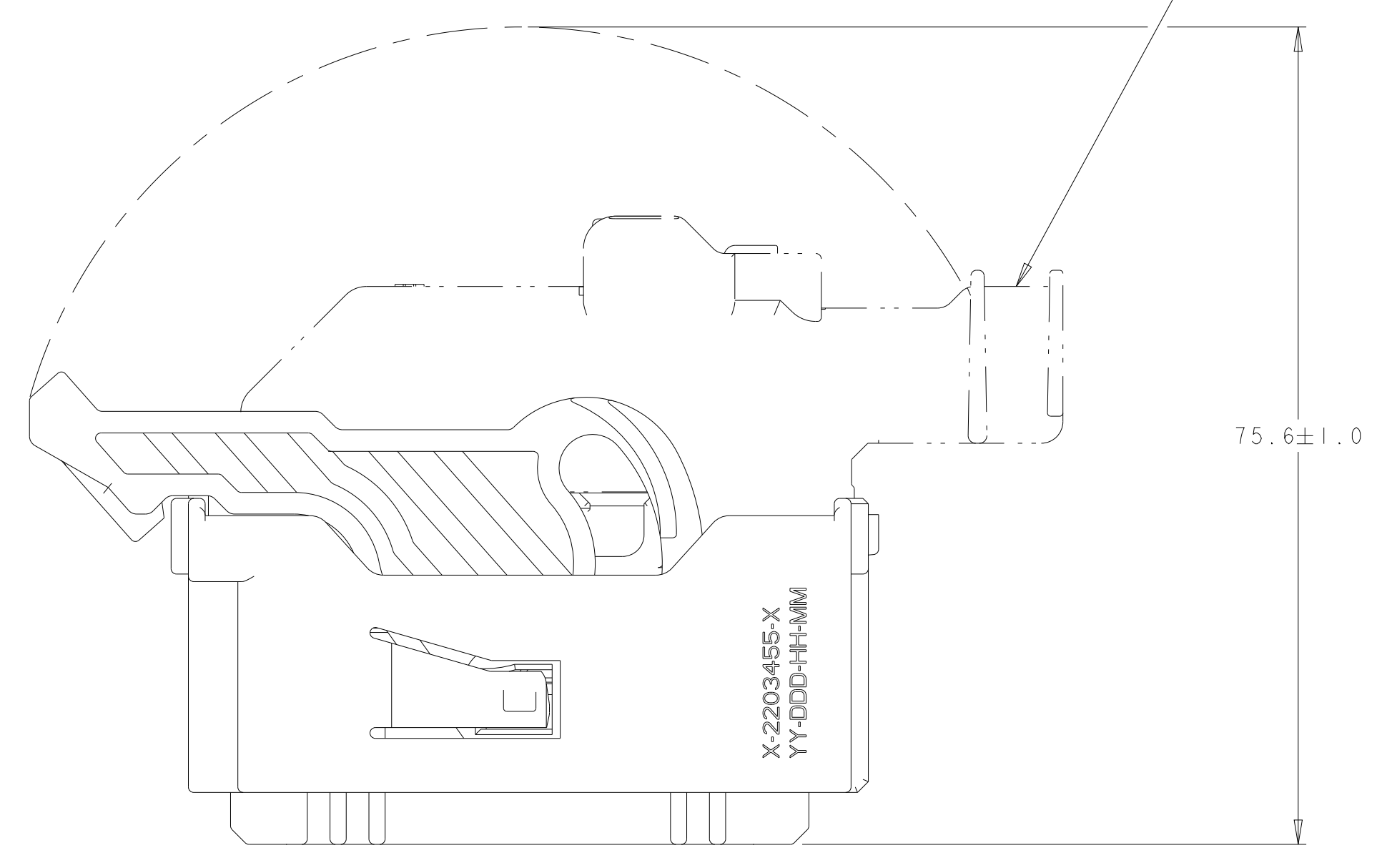
REVISIONS				
P	LTR	DESCRIPTION	DATE	APVD
-	-	SEE SHEET 1	-	-

CIRCUITS ACCEPT WIRE SIZE 0.5- 1.5 SQ.MM. (1.4-2.4mm OD)

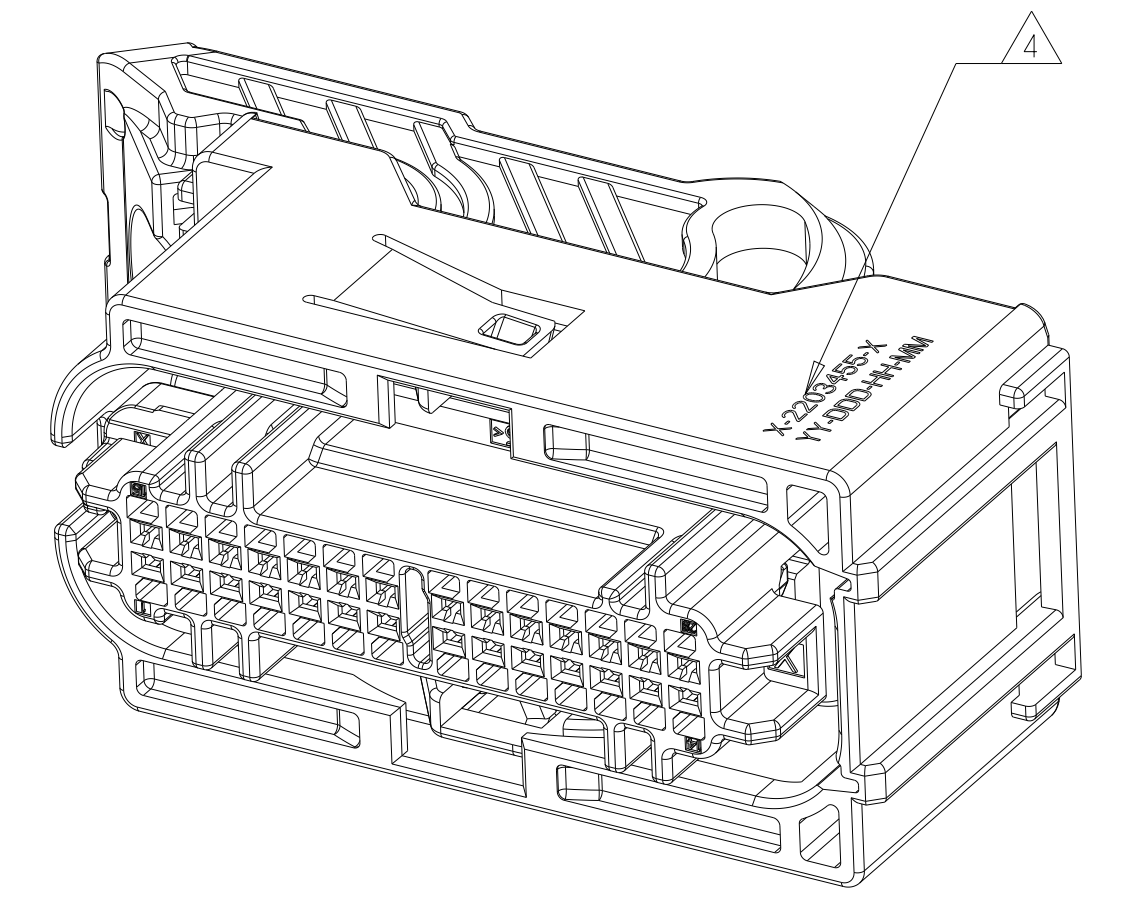
26 CIRCUITS ACCEPT WIRE SIZE 0.5-0.75 SQ.MM. (1.4-1.9mm OD)



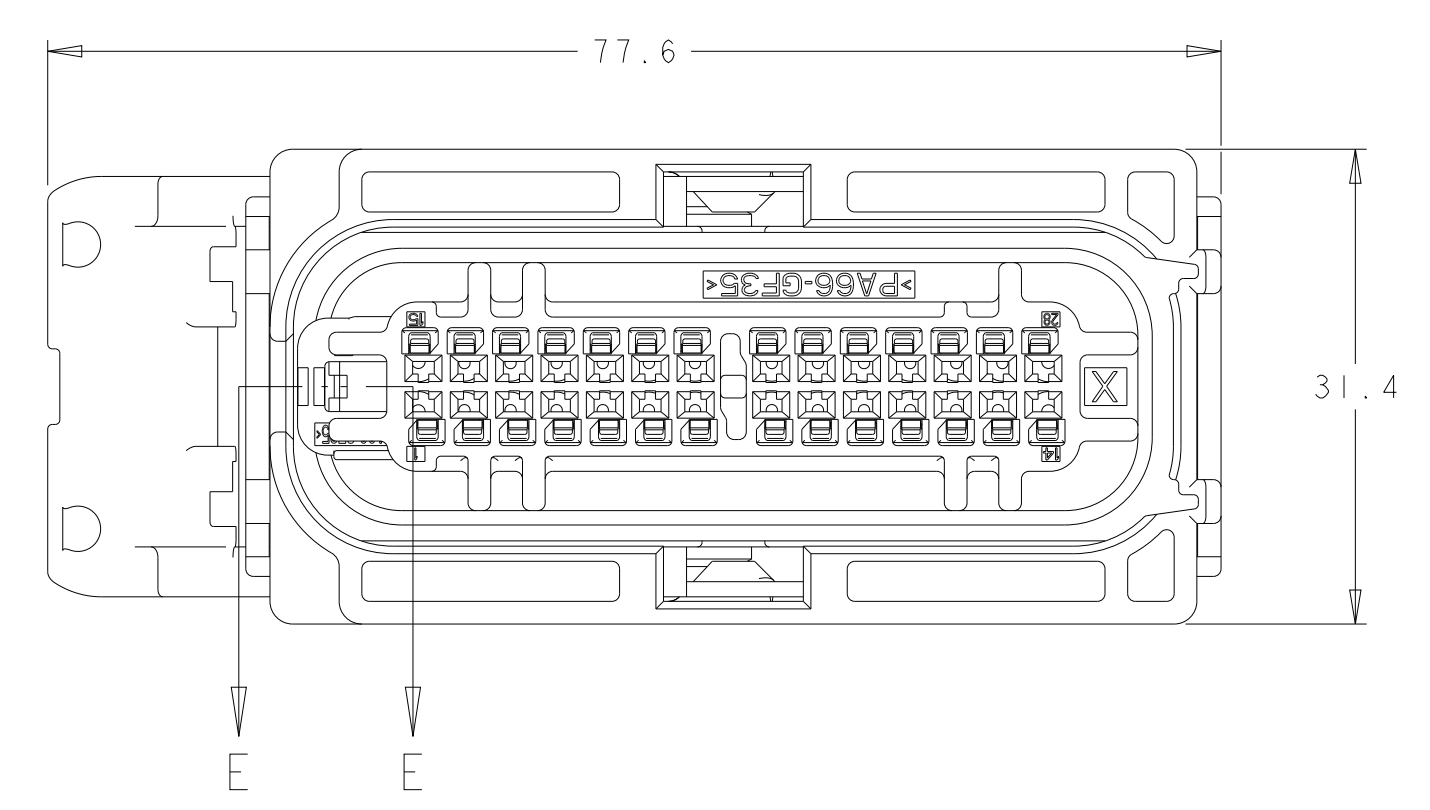
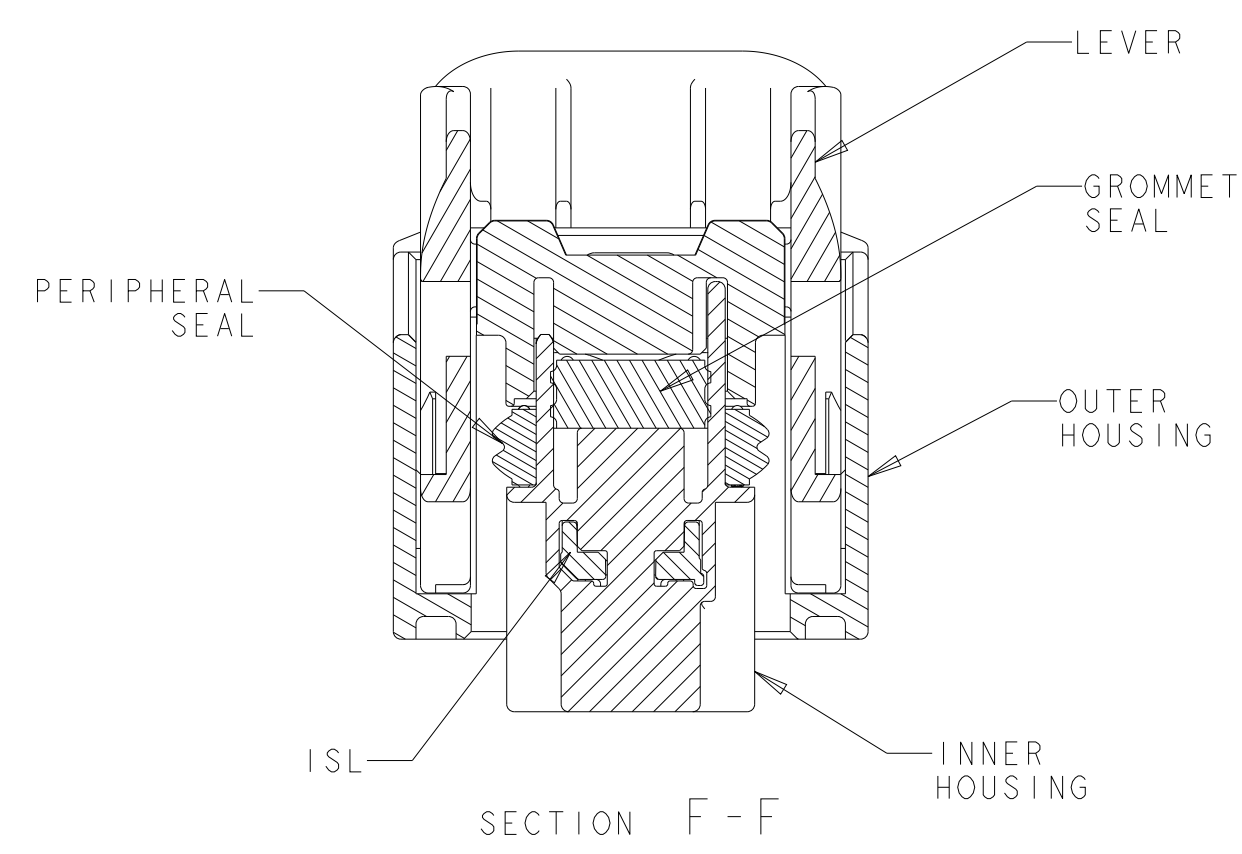
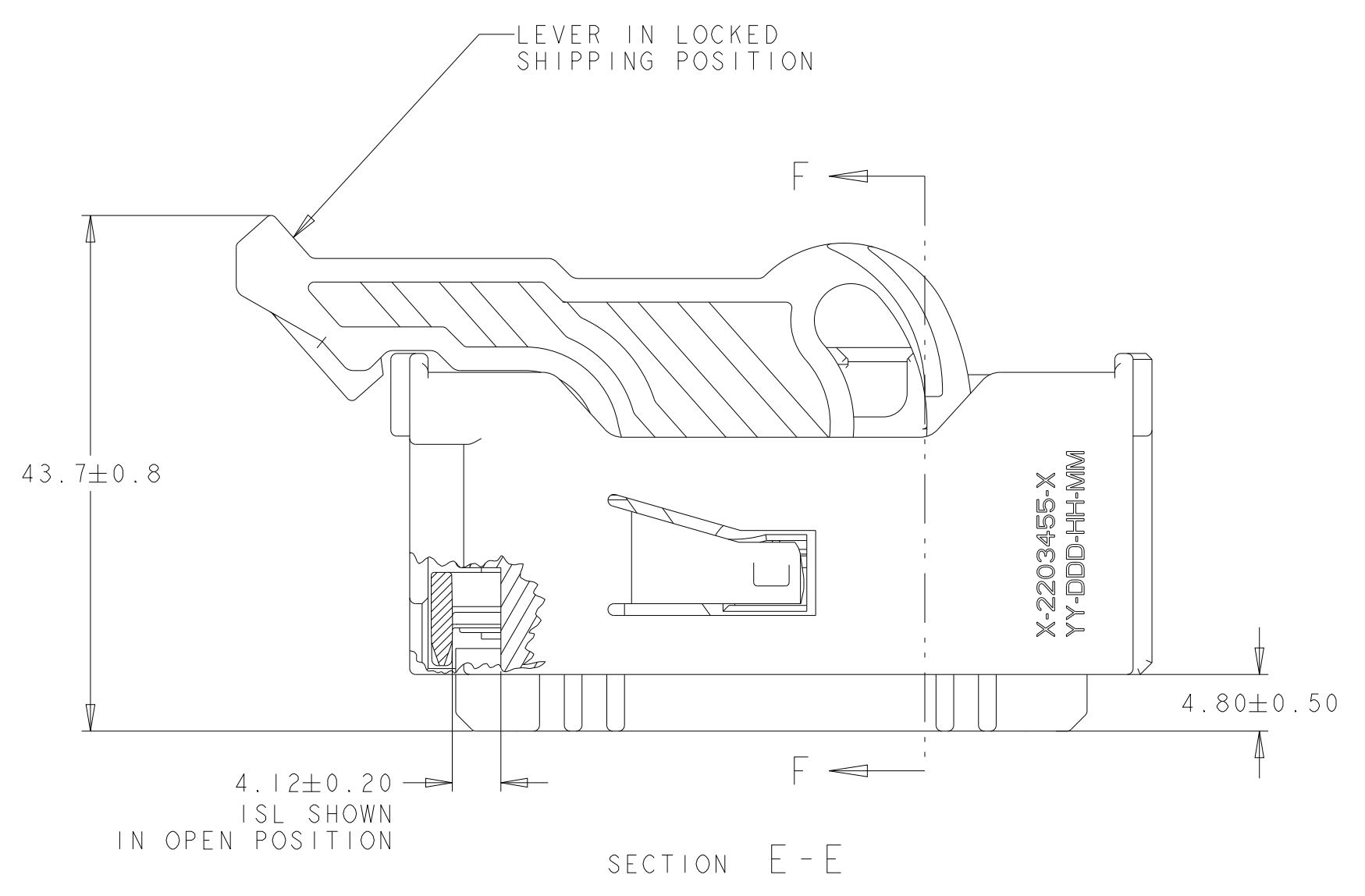
WIRE DRESS EXIT- RIGHT



WIRE DRESS ASSEMBLY, 2203459-1 IS REQUIRED AND SOLD SEPARATELY

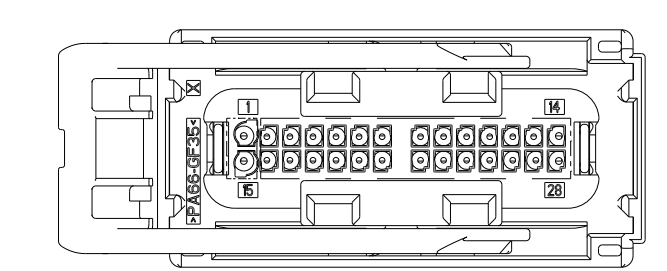


PLUG ASSEMBLY SHOWN WITH WIRE DRESS COVER INSTALLED

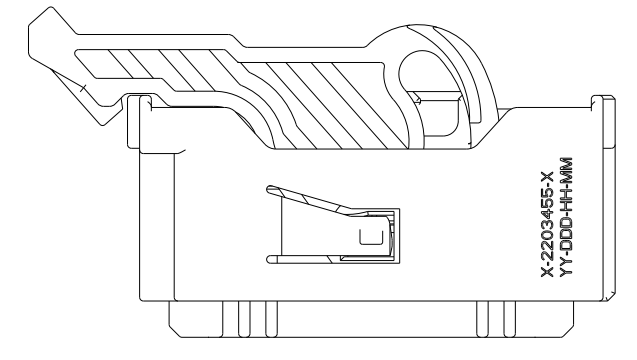


5-2203455-1 SHOWN IN GENERAL VIEWS

THIS DRAWING IS A CONTROLLED DOCUMENT.		DWG: M. HITCHCOCK 17 JUN 2013 CHK: A. VASBINDER 17 JUN 2013 APVD: A. VASBINDER 17 JUN 2013		
DIMENSIONS: mm 	TOLERANCES UNLESS OTHERWISE SPECIFIED: 0 PLC ± 1 PLC ±0.3 2 PLC ±0.10 3 PLC ± 4 PLC ± ANGLES ±3° FINISH	NAME: PLUG ASSEMBLY, SEALED, 28 POSITION, GFx TRANS MCON CLEAN BODY PRODUCT SPEC: APPLICATION SPEC: 408-32140 WEIGHT:	SIZE: A1 CAGE CODE: 2203455 DRAWING NO: 2203455 SCALE: 2:1 SHEET: 2 OF 3 REV: A6	RESTRICTED TO:
MATERIAL:		CUSTOMER DRAWING		

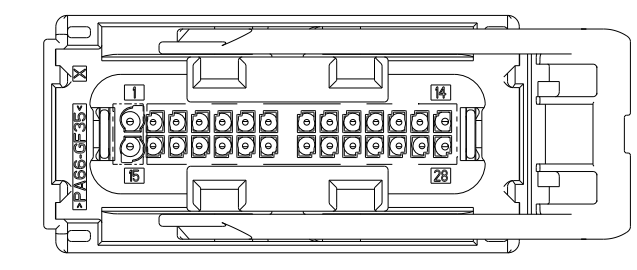


SCALE 1:1

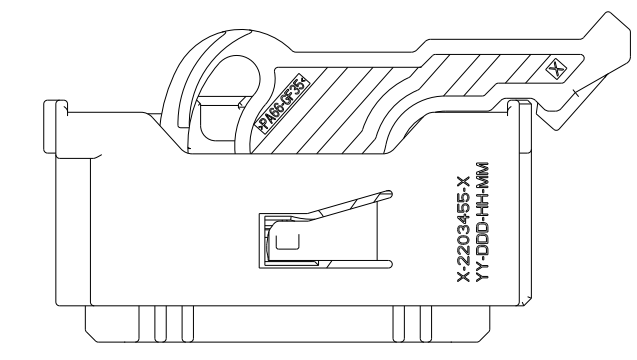


### WIRE DRESS EXIT - RIGHT

GM PART NUMBER	CIRCUIT CONFIGURATION	KEYING CONFIGURATION	PART NUMBER	APPLICATION
TBD	C8	A	5-2203455-8	VARIOUS
TBD	C7	A	5-2203455-7	VARIOUS
13524492	C5	A	5-2203455-6	CVT ETRS
13524491	C3	A	5-2203455-5	CVT (NON-ETRS)
TBD	C1	D	5-2203455-4	VARIOUS (ALL OPEN)
TBD	C1	C	5-2203455-3	VARIOUS (ALL OPEN)
TBD	C1	B	5-2203455-2	VARIOUS (ALL OPEN)
TBD	C1	A	5-2203455-1	VARIOUS (ALL OPEN)



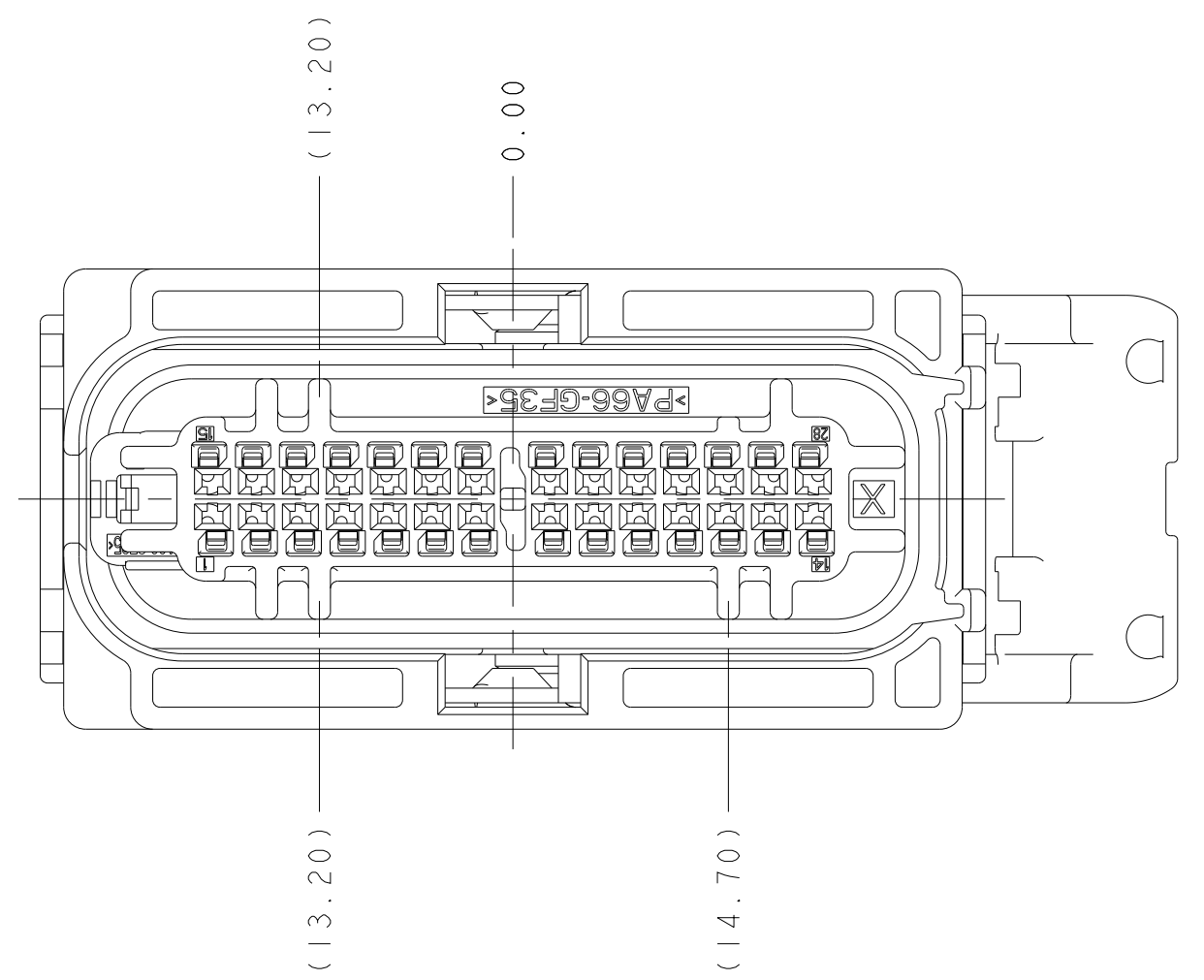
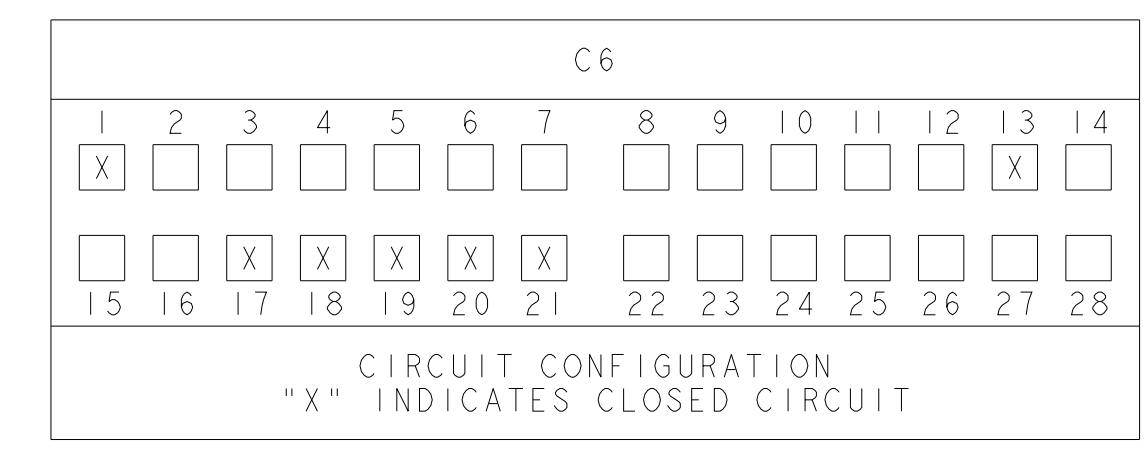
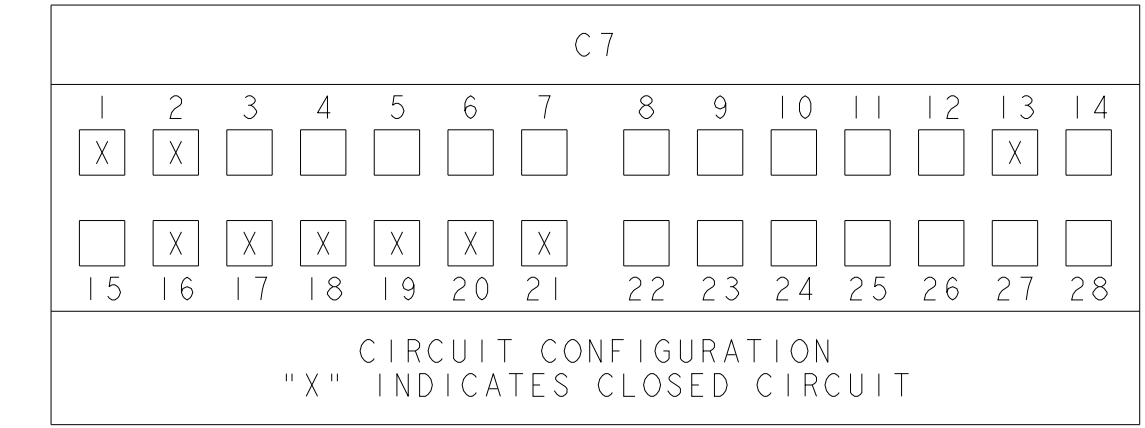
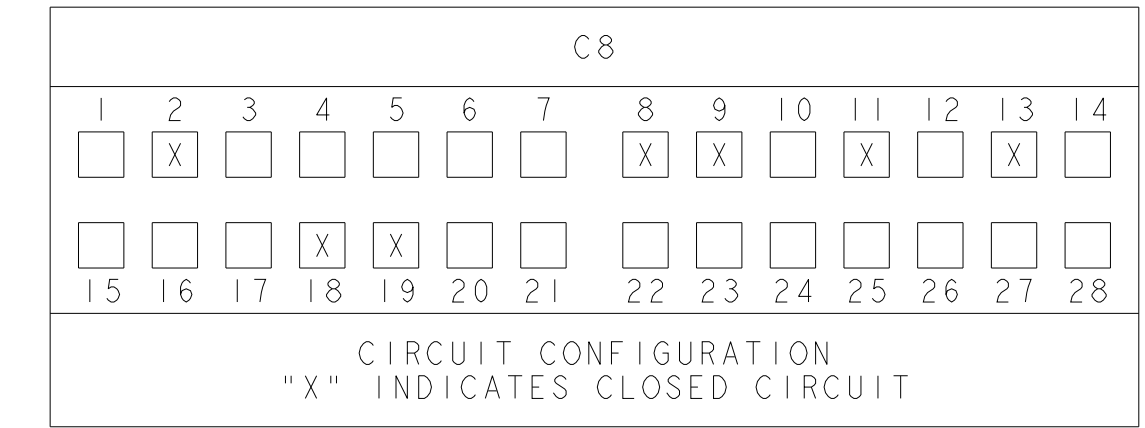
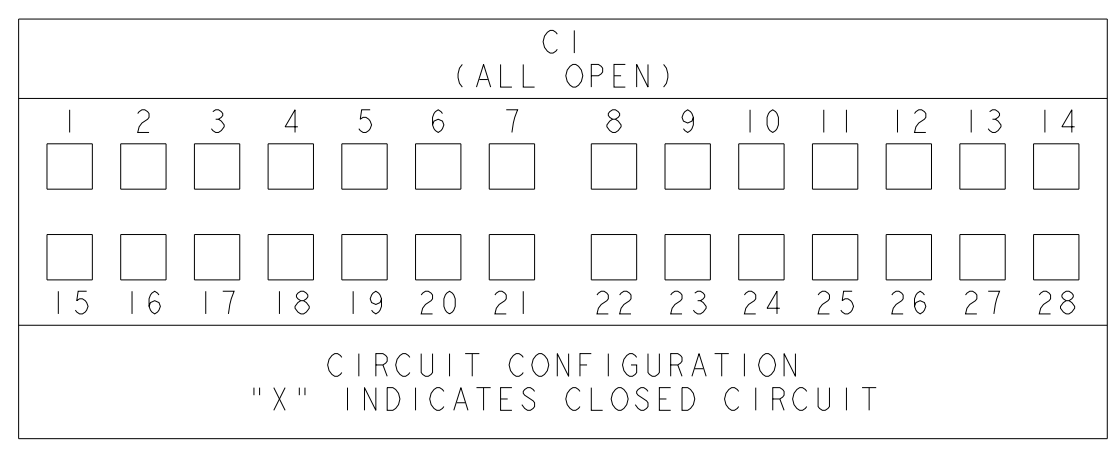
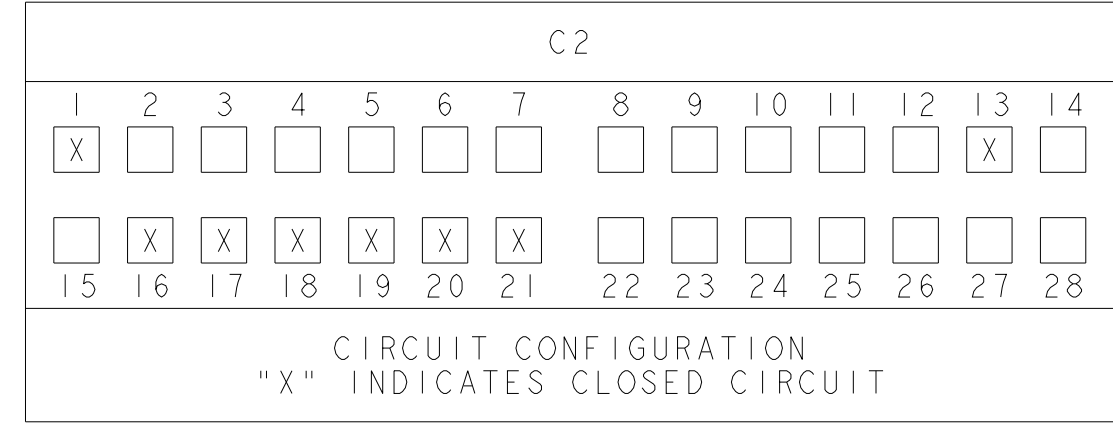
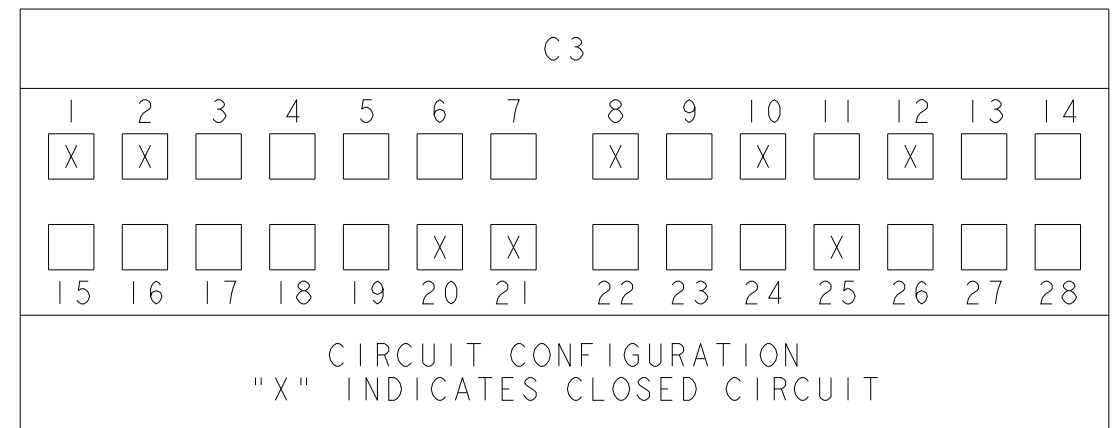
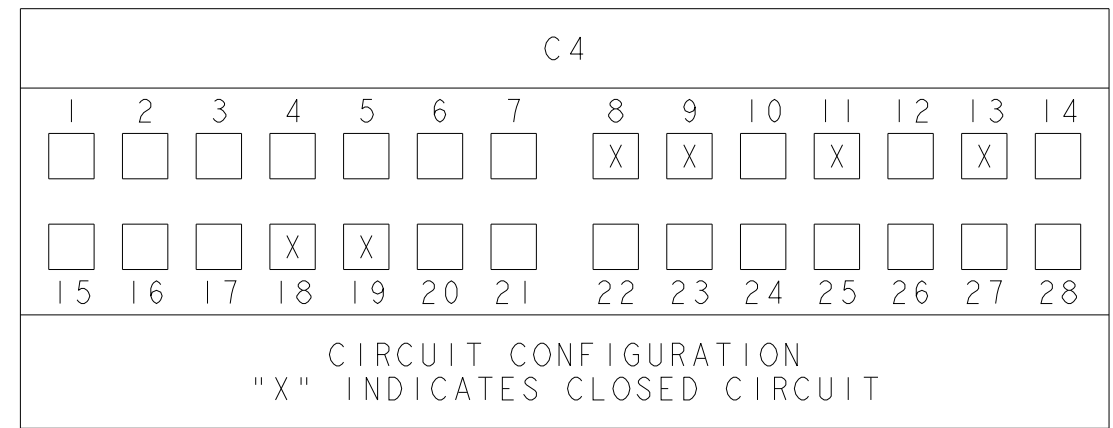
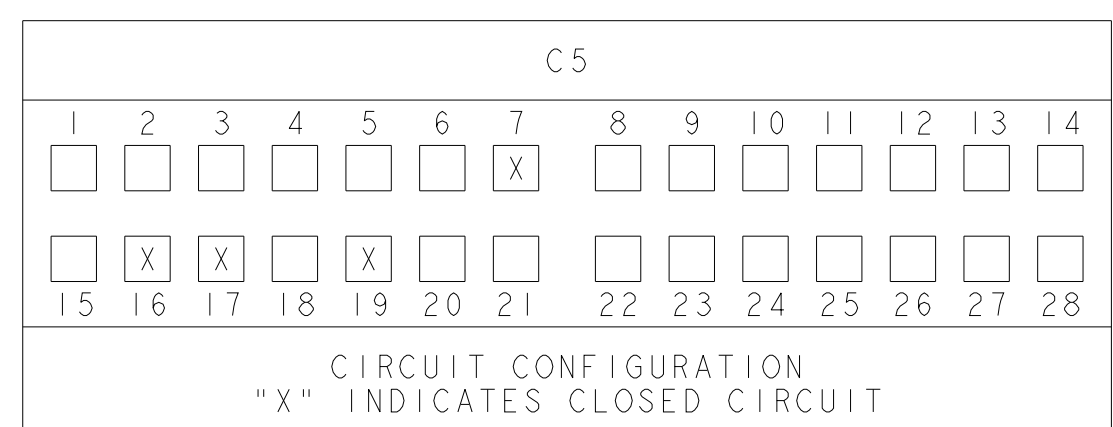
SCALE 1:1



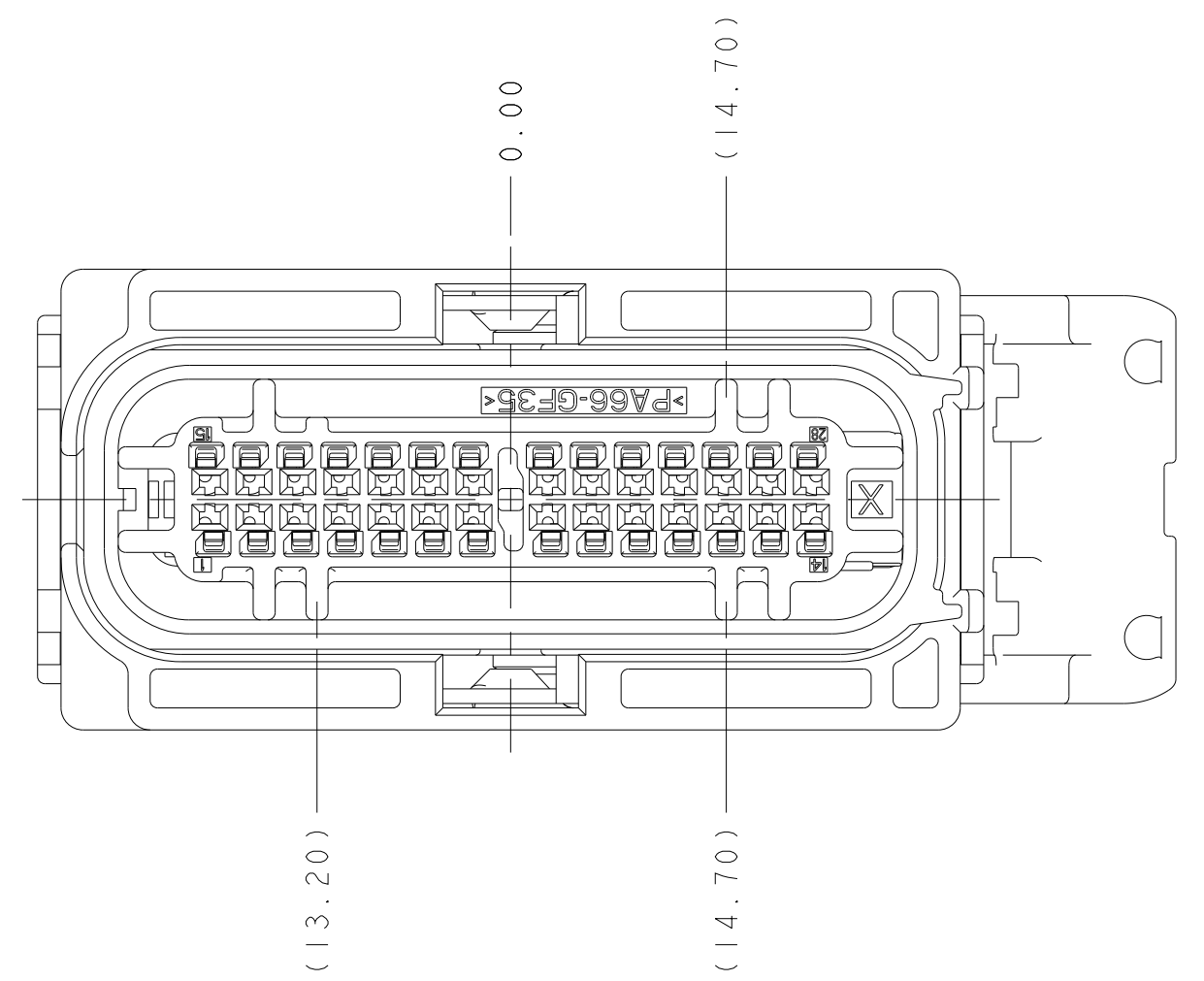
### WIRE DRESS EXIT - LEFT

GM PART NUMBER	CIRCUIT CONFIGURATION	KEYING CONFIGURATION	PART NUMBER	APPLICATION
TBD	C8	A	1-2203455-3	VARIOUS
TBD	C7	A	1-2203455-2	VARIOUS
TBD	C6	A	1-2203455-1	CIYC
13599357	C5	A	1-2203455-0	X69 ETRS
13599356	C4	A	2203455-9	GFx ETRS
13599355	C3	A	2203455-8	X69 MNL VLV (NON-ETRS)
13599354	C2	A	2203455-7	GFx MNL VLV (NON-ETRS)
13596740	C3	A	2203455-6	ETRS
13596739	C2	A	2203455-5	NON - ETRS
TBD	C1	D	2203455-4	VARIOUS (ALL OPEN)
TBD	C1	C	2203455-3	VARIOUS (ALL OPEN)
TBD	C1	B	2203455-2	VARIOUS (ALL OPEN)
13589513	C1	A	2203455-1	VARIOUS (ALL OPEN)

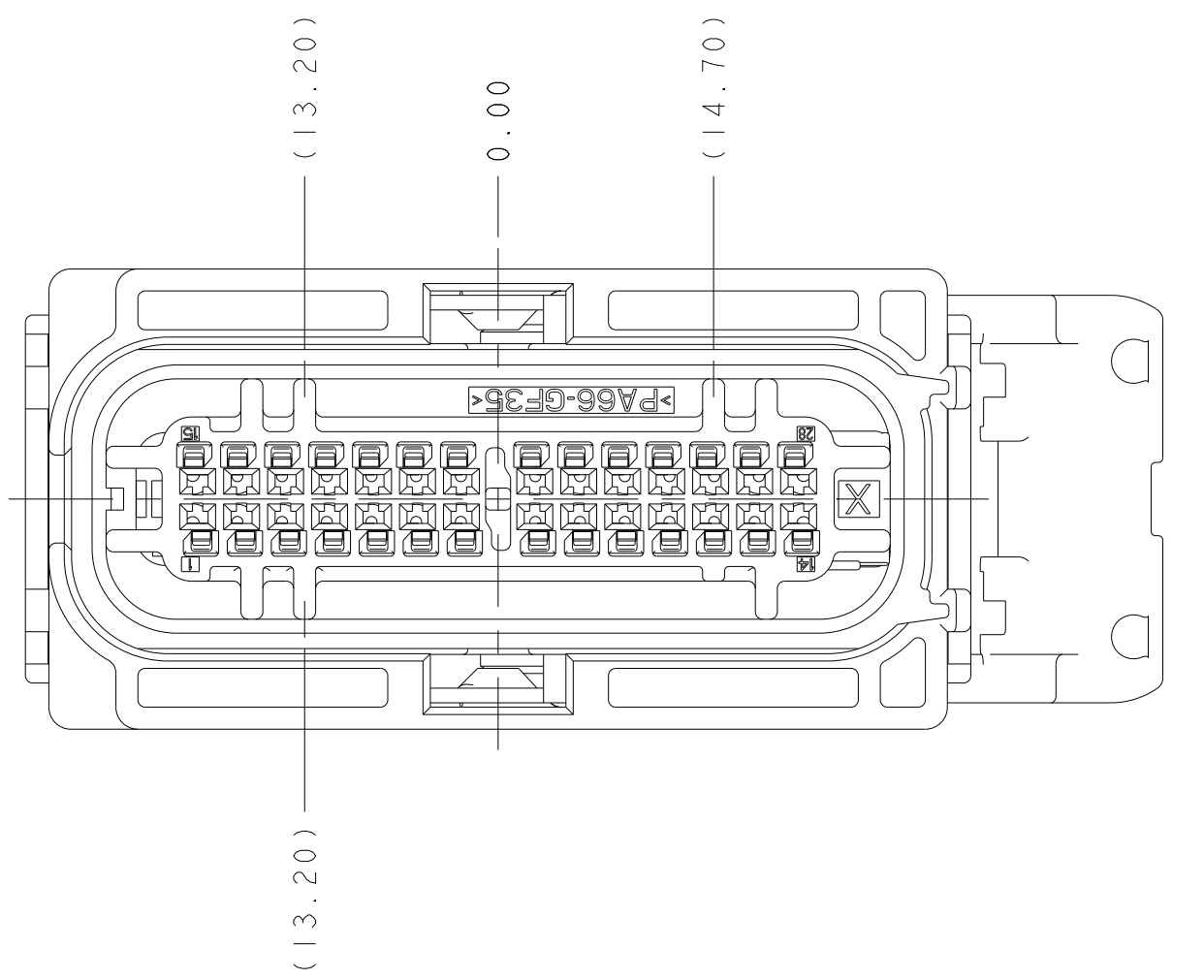
REVISIONS				
P	LTN	DESCRIPTION	DATE	APVD
-	-	SEE SHEET 1	-	-



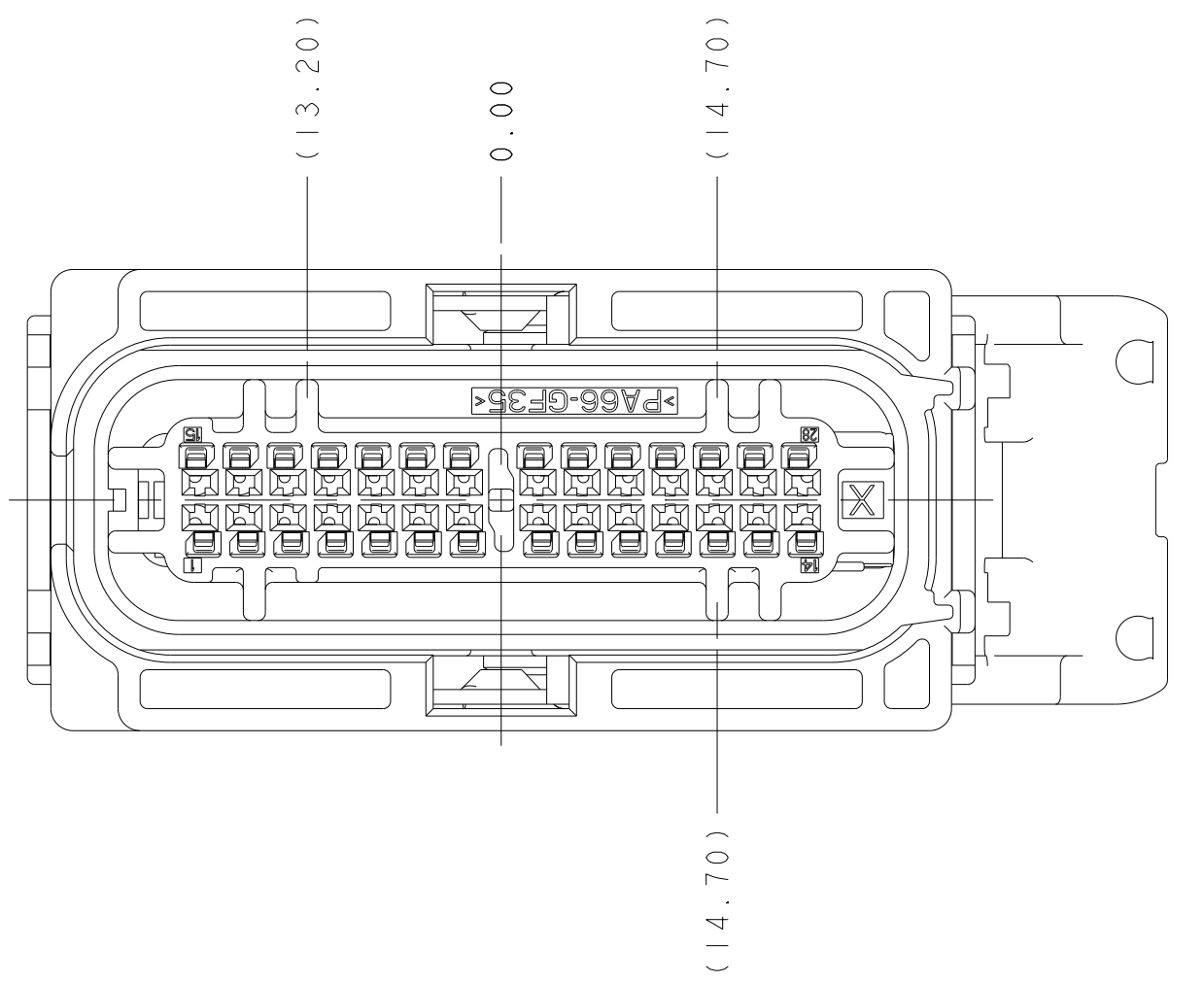
KEYING OPTION "A"



KEYING OPTION "B"



KEYING OPTION "C"



KEYING OPTION "D"

THIS DRAWING IS A CONTROLLED DOCUMENT.

DIMENSIONS:	TOLERANCES UNLESS OTHERWISE SPECIFIED:	OWN: M. HITCHCOCK 17 JUN 2013	CHK: A. VASBINDER 17 JUN 2013	APVD: A. VASBINDER 17 JUN 2013
mm	0 PLC ±0.3 1 PLC ±0.3 2 PLC ±0.10 3 PLC ± 4 PLC ± ANGLES ±3°	NAME: PLUG ASSEMBLY, SEALED, 28 POSITION, GFx TRANS MCON CLEAN BODY	SIZE: A	CAGE CODE: 408-32140
MATERIAL:	FINISH:	APPLICATION SPEC: 408-32140	WEIGHT:	RESTRICTED TO: -
		CUSTOMER DRAWING	SCALE: 2:1	SHEET 3 OF 3

TE Connectivity